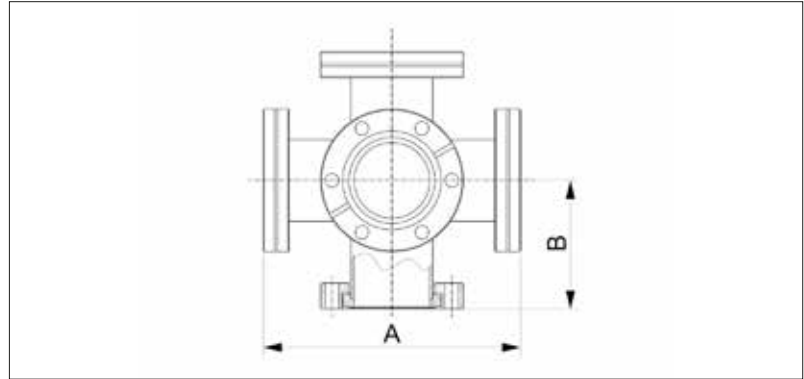


CF 5 Way Cross



- One rotatable flange per axis
- Pressure range: $1 \cdot 10^{-12}$ mbar to ambient pressure
- Custom lengths available upon request
- Tube surface: Glass bead blasted (polished version on request)
- Tightness: $\leq 1 \cdot 10^{-10}$ mbar l/s
- Bake out range is up to 450°C

Dimensions



Stainless Steel 304/1.4301

- Temperature range: -196 to 300 °C
- Flange material: SS304 / 1.4301
- Tube material: SS304 / 1.4301

Flange Size (DN)	A (mm)	B (mm)	Order No
16	76	38	VC4FTG1SS016-76
40	126	63	VC4FTG1SS040-126
63	210	105	VC4FTG1SS063-210
100	270	135	VC4FTG1SS100-270

Stainless Steel 316L/1.4404

- Temperature range: -196 to 350 °C
- Flange material: SS316L / 1.4404
- Tube material: SS316L / 1.4404

Flange Size (DN)	A (mm)	B (mm)	Order No
16	76	38	VC4FTG2SS016-76
40	126	63	VC4FTG2SS040-126
63	210	105	VC4FTG2SS063-210
100	270	135	VC4FTG2SS100-270