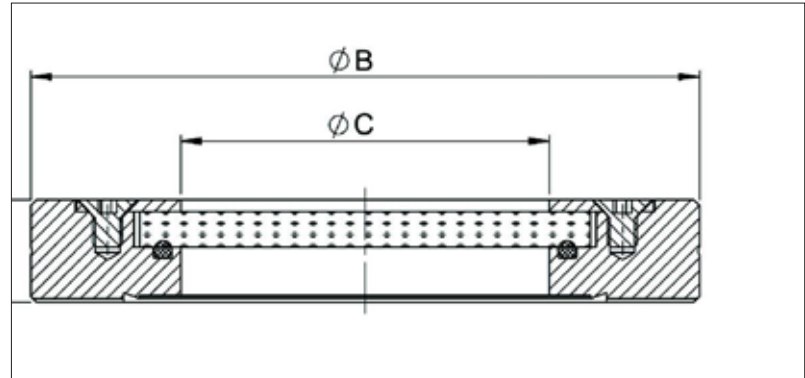


CF Viewport Flange



- Pressure range: $1 \cdot 10^{-8}$ mbar to ambient pressure
- Custom dimensions available upon request

Dimensions



Stainless Steel 304/1.4301

- Temperature range: 0 to 160 ° C
- Flange Material : SS304 / 1.4301
- Glass material : Borosilicate / Quartz
- O ring material : FKM / Viton

Size (DN)	Glass Thickness (mm)	A (mm)	B (mm)	C (mm)	Order No
40	5	13	69,9	32	VC4VWB1SS040
63	6	17,5	114,3	63	VC4VWB1SS063
100	6	20	152,4	90	VC4VWB1SS100
160	10	63	203,2	125	VC4VWB1SS160

Stainless Steel SS316L/1,4404

- Temperature range: 0 to 160 ° C
- Flange Material : SS316L/ 1.4404
- Glass material : Borosilicate / Quartz
- O ring material : FKM / Viton

Size (DN)	Glass Thickness (mm)	A (mm)	B (mm)	C (mm)	Order No
40	5	13	69,9	32	VC4VWB2SS040
63	6	17,5	114,3	63	VC4VWB2SS063
100	6	20	152,4	90	VC4VWB2SS100
160	10	63	203,2	125	VC4VWB2SS160