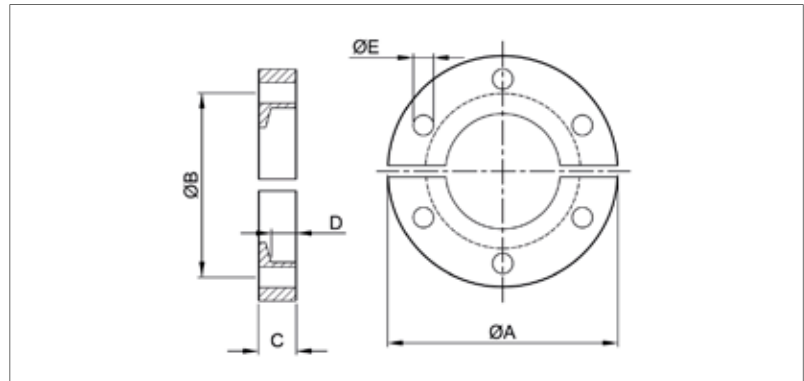


ISO-KF Bulkhead Clamp



- For installing on a base plate with KF centering ring
- Number of tapped holes in base plate: DN 10-40: 6x60°; DN 50: 8x45° (Thread M5, depth: min. 10 mm)
- Provides simple and secure baseplate connection
- Stainless Steel bolts and washers included
- Suitable for use with elastomer seals
- For mounting on a base plate with KF centered ring
- Material Aluminium (EN AW-6082 T6) Bolt: A2-70 stainless steel DIN933 (Hexagon Head, M5 x 20 mm, Silver Plated)
- Pressure Range Elastomer seal: 10^{-7} mbar to 2.5 bar

Dimensions



Aluminium EN AW-6082/3.2315

- Temperature Range: -196 to 150 °C

Size (DN)	A (mm)	B (mm)	C (mm)	D (mm)	E (mm)	Order No
10/16	50.8	38.1	9.2	6.5	5.3	VC1CLG1AL016
20/25	60.3	48	9.9	6.6	5.3	VC1CLG1AL025
32/40	74.6	62	9.3	6.6	5.3	VC1CLG1AL040
50	94.9	82.6	10.4	6.5	5.3	VC1CLG1AL050