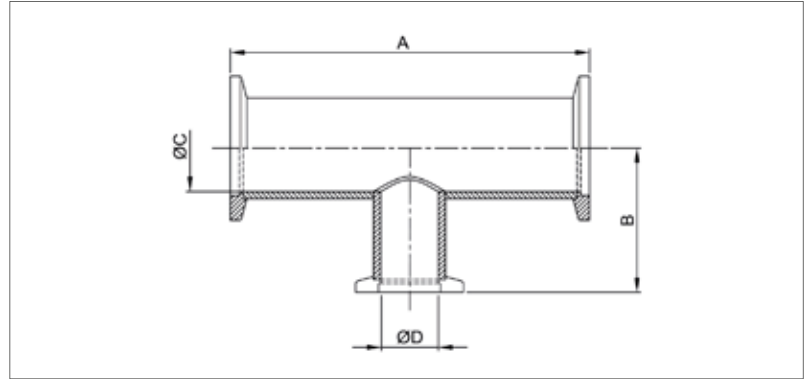


ISO-KF Reducer Tee



- Stainless Steel 304/1.4301
Pressure range: $1 \cdot 10^{-8}$ mbar to 500 mbar over pressure (elastomer seal)
 $1 \cdot 10^{-9}$ mbar to 500 mbar over pressure (metal seal)
- Stainless Steel 316L/1.4404
Pressure range: $1 \cdot 10^{-8}$ mbar to 1,5 bar over pressure (elastomer seal)
 $1 \cdot 10^{-9}$ mbar to 1,5 bar over pressure (metal seal)

Dimensions



Stainless Steel 304/1.4301

- Temperature range: -196 to 300 °C

Size (DN)	Reducer Size (DN)	A (mm)	B (mm)	C (mm)	D (mm)	Order No
25	16	100	40	24	16	VC1FTF1SS025-016
40	16	130	40	40.5	16	VC1FTF1SS040-016
40	25	130	50	40.5	24	VC1FTF1SS040-025
50	16	140	50	50	16	VC1FTF1SS050-016
50	25	140	65	50	24	VC1FTF1SS050-025
50	40	140	65	50	40	VC1FTF1SS050-040

Stainless Steel 316L/1.4404

- Temperature range: -196 to 350 °C

Size (DN)	Reducer Size (DN)	A (mm)	B (mm)	C (mm)	D (mm)	Order No
25	16	100	40	24	16	VC1FTF2SS025-016
40	16	130	40	40.5	16	VC1FTF2SS040-016
40	25	130	50	40.5	24	VC1FTF2SS040-025
50	16	140	50	50	16	VC1FTF2SS050-016
50	25	140	65	50	24	VC1FTF2SS050-025
50	40	140	65	50	40	VC1FTF2SS050-040