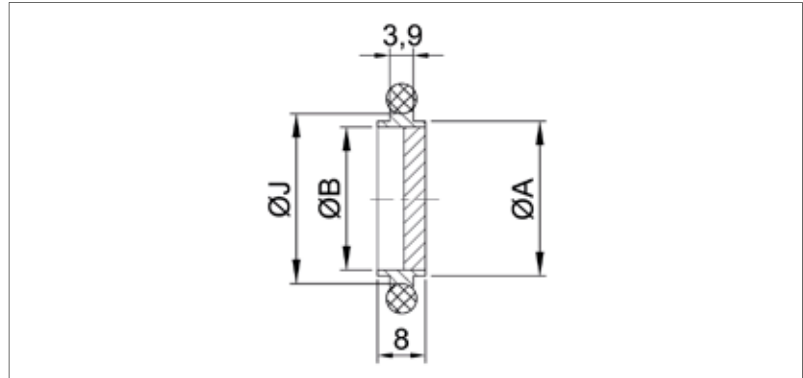


ISO-KF Seal Inner Centered With Sintered Metal Filter



- Various types of O-ring seals are available
- Material: Sintered Bronze
- Pore size approximately 0.02 mm
- Consider O-ring temperature ranges (See Properties of Elastomer Materials Table on Page 12)

Dimensions



Stainless Steel 304/1.4301

- Temperature range: -196 to 300 °C

Size (DN)	A (mm)	B (mm)	J (mm)	O-ring	Order No
10	12	8	15	FKM	VC1SLE1SS010-FKM
10	12	8	15	CR	VC1SLE1SS010-CR
10	12	8	15	NBR	VC1SLE1SS010-NBR
10	12	8	15	EPDM	VC1SLE1SS010-EPDM
10	12	8	15	VMQ(SILICON)	VC1SLE1SS010-VMQ
16	17	14	18	FKM	VC1SLE1SS016-FKM
16	17	14	18	CR	VC1SLE1SS016-CR
16	17	14	18	NBR	VC1SLE1SS016-NBR
16	17	14	18	EPDM	VC1SLE1SS016-EPDM
16	17	14	18	VMQ(SILICON)	VC1SLE1SS016-VMQ
20	22	18	24	FKM	VC1SLE1SS020-FKM
20	22	18	24	CR	VC1SLE1SS020-CR
20	22	18	24	NBR	VC1SLE1SS020-NBR
20	22	18	24	EPDM	VC1SLE1SS020-EPDM
20	22	18	24	VMQ(SILICON)	VC1SLE1SS020-VMQ
25	26	22	28	FKM	VC1SLE1SS025-FKM
25	26	22	28	CR	VC1SLE1SS025-CR
25	26	22	28	NBR	VC1SLE1SS025-NBR
25	26	22	28	EPDM	VC1SLE1SS025-EPDM
25	26	22	28	VMQ(SILICON)	VC1SLE1SS025-VMQ
32	34	30	35	FKM	VC1SLE1SS032-FKM
32	34	30	35	CR	VC1SLE1SS032-CR
32	34	30	35	NBR	VC1SLE1SS032-NBR
32	34	30	35	EPDM	VC1SLE1SS032-EPDM
32	34	30	35	VMQ(SILICON)	VC1SLE1SS032-VMQ
40	41	38	42	FKM	VC1SLE1SS040-FKM
40	41	38	42	CR	VC1SLE1SS040-CR
40	41	38	42	NBR	VC1SLE1SS040-NBR