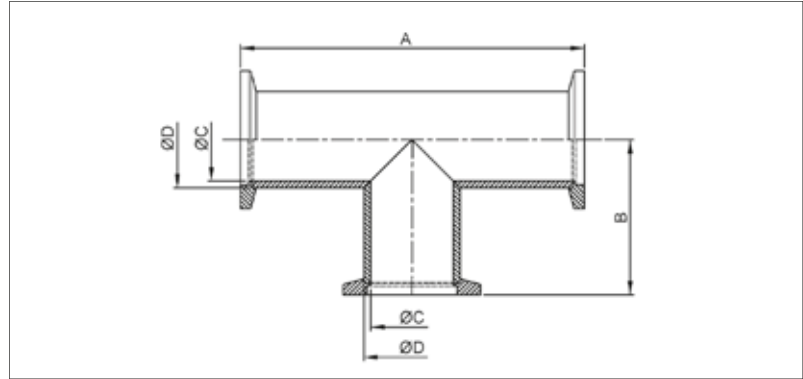


ISO-KF Tee



- Stainless Steel 304/1.4301
Pressure range: $1 \cdot 10^{-8}$ mbar to 500 mbar over pressure (elastomer seal)
 $1 \cdot 10^{-9}$ mbar to 500 mbar over pressure (metal seal)
- Stainless Steel 316L/1.4404
Pressure range: $1 \cdot 10^{-8}$ mbar to 1,5 bar over pressure (elastomer seal)
 $1 \cdot 10^{-9}$ mbar to 1,5 bar over pressure (metal seal)

Dimensions



Stainless Steel 304/1.4301

- Temperature range: -196 to 300 °C

Size (DN)	Tube Dimension (mm)	A (mm)	B (mm)	C (mm)	D (mm)	Order No
10	13x1,5	60	30	10	13	VC1FTC1SS010
16	19x1,5	77	38,5	16	19	VC1FTC1SS016
25	29x1,5	107	53,5	26	29	VC1FTC1SS025
40	41x1,5	127	63,5	38	41	VC1FTC1SS040
50	53x1,5	148	74	50	53	VC1FTC1SS050

Stainless Steel 316L/1.4404

- Temperature range: -196 to 350 °C

Size (DN)	Tube Dimension (mm)	A (mm)	B (mm)	C (mm)	D (mm)	Order No
10	13x1,5	60	30	10	13	VC1FTC2SS010
16	19x1,5	77	38,5	16	19	VC1FTC2SS016
25	29x1,5	107	53,5	26	29	VC1FTC2SS025
40	41x1,5	127	63,5	38	41	VC1FTC2SS040
50	53x1,5	148	74	50	53	VC1FTC2SS050