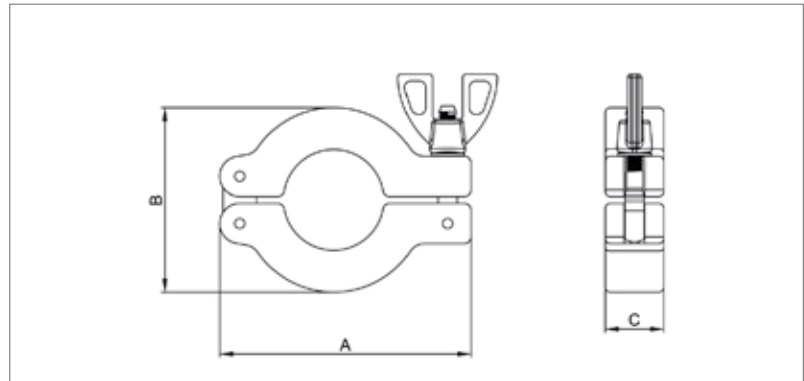


ISO-KF Wingnut CNC Machined Clamp



- Nominal diameters 10 to 50 mm
- For High Vacuum (HV) Applications
- For inner and outer center rings
- Hinged, two-part device
- Cnc machined clamp
- For extra rigid strength and durability
- Quick assembly and removal.
- Stainless steel bolt and wingnut
- Pressure Range Elastomer seal: 10^{-7} mbar to 1.5 bar

Dimensions



Aluminium EN AW-6082/T-6 (Uncoated - For general use)

- Temperature Range: -196 to 150 °C

Size (DN)	A (mm)	B (mm)	C (mm)	Order No
10/16	65	45	17.5	VC1CLA1AL016-A
20/25	75	55	17.5	VC1CLA1AL025-A
32/40	95	72	17.5	VC1CLA1AL040-A
50	115	95	22	VC1CLA1AL050-A

Natural Anodized

- For frequently opened and closing connections
- Low surface friction
- High corrosion resistance
- High wear resistance
- Dielectric property

Size (DN)	A (mm)	B (mm)	C (mm)	Order No
10/16	65	45	17.5	VC1CLA1AL016-B
20/25	75	55	17.5	VC1CLA1AL025-B
32/40	95	72	17.5	VC1CLA1AL040-B
50	115	95	22	VC1CLA1AL050-B

PTFE Plated

- Used with aluminium KF vacuum equipment
- Low surface friction
- High corrosion resistance
- Non stick
- Advanced release feature
- High resistance to chemicals
- Dielectric property

Size (DN)	A (mm)	B (mm)	C (mm)	Order No
10/16	65	45	17.5	VC1CLA1AL016-C
20/25	75	55	17.5	VC1CLA1AL025-C
32/40	95	72	17.5	VC1CLA1AL040-C
50	115	95	22	VC1CLA1AL050-C

Nickel Plated

- High corrosion resistance
- High wear resistance
- View of a glossy surface

Size (DN)	A (mm)	B (mm)	C (mm)	Order No
10/16	65	45	17.5	VC1CLA1AL016-D
20/25	75	55	17.5	VC1CLA1AL025-D
32/40	95	72	17.5	VC1CLA1AL040-D
50	115	95	22	VC1CLA1AL050-D

Plastic

Size (DN)	A (mm)	B (mm)	C (mm)	Order No
10/16	65	45	17.5	VC1CLA4PL016
20/25	75	55	17.5	VC1CLA4PL025
32/40	95	72	17.5	VC1CLA4PL040
50	115	95	22	VC1CLA4PL050