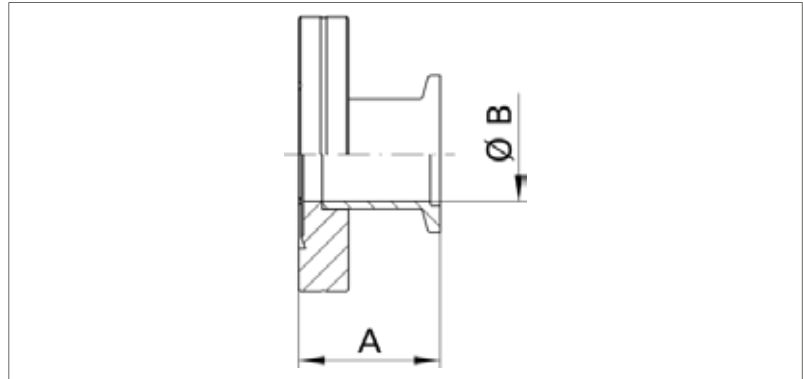


# ISO-KF to CF Adapter



- Flange Materials:  
Stainless Steel 304/1.4301  
Stainless Steel 316L/1.4404
- Other nominal diameters and dimensions on request
- Pressure range:  $1 \cdot 10^{-8}$  mbar to ambient pressure (elastomer seal);  
 $1 \cdot 10^{-9}$  mbar to ambient pressure (metal seal)

## Dimensions



### Stainless Steel 304/1.4301

- Temperature range: -196 to 300 °C

Nominal diameter reduced (DN-KF)	Size (DN-CF)	A (mm)	B (mm)	Order No
16	36	16	16	VC1ADK1SS016-016-36
16	36	16	25	VC1ADK1SS016-025-36
16	36	16	40	VC1ADK1SS016-040-36
40	36	16	16	VC1ADK1SS040-016-36
40	36	24	25	VC1ADK1SS040-025-36
40	50	40.5	40	VC1ADK1SS040-040-50
63	50	40.5	40	VC1ADK1SS063-040-50
100	50	40.5	40	VC1ADK1SS100-040-50

### Stainless Steel 316L/1.4404

- Temperature range: -196 to 350 °C

Nominal diameter reduced (DN-KF)	Size (DN-CF)	A (mm)	B (mm)	Order No
16	36	16	16	VC1ADK2SS016-016-36
16	36	16	25	VC1ADK2SS016-025-36
16	36	16	40	VC1ADK2SS016-040-36
40	36	16	16	VC1ADK2SS040-016-36
40	36	24	25	VC1ADK2SS040-025-36
40	50	40.5	40	VC1ADK2SS040-040-50
63	50	40.5	40	VC1ADK2SS063-040-50
100	50	40.5	40	VC1ADK2SS100-040-50