



Anadolu

VACUUM TECHNOLOGIES

Product Catalog

Vacuum Components

ISO-KF

ISO-K/ISO-F

CF SYSTEMS

The logo for Anadolu Vacuum Technologies features a dark blue silhouette of a factory with three chimneys on the left, followed by the word "Anadolu" in a large, bold, dark blue sans-serif font. Below "Anadolu" is the text "VACUUM TECHNOLOGIES" in a smaller, dark blue, all-caps sans-serif font.

Anadolu

VACUUM TECHNOLOGIES

Our customers are our business partners. By working with them to create value and mutual benefits, we aim to become a leader in the vacuum and fitting components sector.

We are looking forward to starting our partnership through this Anadolu Vacuum product catalog.

Get in touch today.

Yeşiloba Mahallesi Orta Ölçekli Sanayi
Sitesi 46067 Sokak No: 2/6
Seyhan-Adana / TURKEY

+90530 645 43 49
sales@atimsan.com
www.anadoluvacuum.com

Table of Contents

Company Profile

Who We Are	5
What We Do	6
Our Systems	8

ISO-KF

Major Dimensions of ISO-KF Components	11
Materials	12
ISO-KF Components & Connection Types	17

ISO-KF System Products

ISO-KF Flanges	18
ISO-KF Seals	27
ISO-KF Clamps	54
ISO-KF Fittings	63
ISO-KF Adapters	77
ISO-KF Hoses	90

ISO-K/ISO-F System Products


ISO-K / ISO-F Flanges	101
ISO-K / ISO-F Seals	114
ISO-K / ISO-F Clamps	127
ISO-K / ISO-F Fittings	131
ISO-K / ISO-F Adapters	142
ISO-K / ISO-F Hoses	149

CF System Products

CF Flanges	156
CF Seals	183
CF Fittings	186
CF Hoses	195

Product List	199
---------------------	------------

Future of Vacuum Components



Let's grow together!

Anadolu Vacuum continues to grow with its 50 employees, 1600 m² work space, CNC lathe, CNC milling machines and up-to-date technologies, international collaborations and strong references.

Who We Are

Anadolu Vacuum products are created with 50 years of craftsmanship, experience in the trade, machining experience, family tradition and artisanship. This special collection of products has been developed and tested since 2009.

Anadolu Vacuum meets customer needs with modern production techniques, quality and product improvement practices. By meeting engineering and quality material needs, and customer requests in an economical way that is also in conformity with international quality standards, we aim to provide our valuable customers with solutions in the vacuum and semiconductor industries. The products you will see in these pages have been developed with the aim of providing cost effective, highly durable, easy to use quality materials and good customer service/customer support. Which has been established after extensively researching internationally sold products.

In additions to its products, Anadolu Vacuum is also a practical, fast and reliable solution partner that meets its customers expectations by finding solutions tailored to its customers specific requests, by being able to work on an order-based manner and by answering its customers needs and requests as quickly as possible.



What We Do

We are thrilled to introduce you to Anadolu Vacuum, a company that constantly improves itself through customer surveys, international collaborations, ever-improving production experience, high quality production lines, highly trained professionals and impeccable customer service principles. We design products for vacuum and semiconductor industry. Anadolu Vacuum products are special selection of 304 or 316 Stainless Steel and Aluminium EN AW 6082 vacuum and fitting components flanges, seals, O-rings and clamps. Our vacuum and fitting components can be customized for your specific needs.



Get maximum efficiency!

We guarantee you that you will get maximum efficiency when original Anadolu Vacuum products are used with the correct assembly.



FUTURE OF VACUUM COMPONENTS



ISO-KF



ISO-K/ISO-F



CF

Our Systems

ISO-KF

The Small flange or KF standard (DIN 28403, ISO 2861) is the standard connection for vacuum pipes up to the nominal diameter of DN50 used in low and high vacuum. KF flanges utilize an Aluminium clamp with a single wing nut allowing frequent assembly and disassembly without the need for any tools. Trapped centering rings and NW clamps or clamp chains are offered for special applications.

ISO-K/ISO-F

ISO KF vacuum systems employ components with metric interface dimensions which have been defined by the International Standards Organisation (ISO 1609). This ensures a high degree of compatibility between components obtained from different sources.

The bolt type flanges are assembled by using a set of bolts to fix the position of the mating flanges, whereas the claw clamp flanges use double claw clamps to hold two flanges together. In addition, the use of the claw clamps means that mating flanges can be connected together in any orientation. A wide range of adaptors for connection to CF or KF flanges can be found in the adaptor section.

CF


The generation of ultra high vacuum (UHV) makes great demands on the material and connections. Therefore the CF standard was created in the UHV technology (ISO 3669). CF components compress a copper gasket between two stainless steel flanges to create a vacuum tight seal in ultra high vacuum. The CF flange system is more commonly used within the vacuum industry and as such has a much larger standard product offering. For transition from UHV to HV, Anadolu Vacuum also offers a complete range of adaptors for CF flange to KF or ISO flange. Please refer to the adaptor section.

Future of Vacuum Components

Anadolu Vacuum products are created with 50 years of craftsmanship, experience in the trade, machining experience, family tradition and artisanship. This special collection of products has been developed and tested since 2009.

Let's grow together!

Anadolu Vacuum continues to grow with its 50 employees, 1600 m2 work space, CNC lathe, CNC milling machines and up-to-date technologies, international collaborations and strong references.



WHY Anadolu Vacuum?

- Highest quality and durability
- Most economical! Highest benefit-cost ratio in the market
- Ability to produce for all needs and in any amount
- Tested and approved products
- High reliability
- Long product life
- Fastest production and delivery at all times
- Highly trained and solution-focused personnel
- Constant after-sales customer support
- Unconditional warranty policies for all products

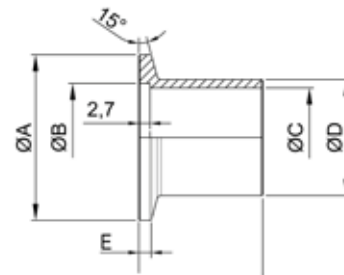
ISO-KF SYSTEM

ISO-KF vacuum components are directly compatible with all ISO-KF, NW or QF vacuum flange hardware connections.

The standard sizes offered are NW10, NW16, NW20, NW25, NW32, NW40 and NW 50.

Most components are offered in stainless steel. However, for adapters vacuum grade aluminium alloys are sometimes preferred. The standard KF vacuum component is generally used to connect vacuum instruments and can be found on vacuum coating systems, electron microscopes, vacuum ovens, vacuum pumps, vacuum equipment, vacuum gauges etc.

Major Dimensions of ISO-KF Components



Size (DN)	KF10	KF16	KF20	KF25	KF32	KF40	KF50
Outside Dimension A (mm)	30	30	40	40	55	55	75
Outside Dimension A (inch)	1,18	1,18	1,57	1,57	2,17	2,17	2,95
Centering ring nose B (mm)	12,2	17,2	22,2	26,2	34,2	41,2	52,2
Typical inside dimension C (mm)	10	16	20	24	34	40,5	50
Typical outside dimension D (mm)	14	20	25	28	38	44,5	57
Dimension E (mm)	3	3	3	3	3	3	3

Please consider the following in planning and designing your vacuum system:

-The pressures indicated below in connection with the product descriptions are absolute pressures, at an ambient pressure of 1000 mbar.

-The minimum achievable ultimate pressure in the entire system will depend upon numerous factors, especially upon the pump system, the desorption rates of the interior surfaces and the pump-down time. The minimum pressures indicated in connection with the product descriptions are based upon experience, showing what can be achieved in a well designed vacuum system. They could be higher or lower in individual cases. If elastomer seals are being employed, it will be necessary to take their gas permeability (permeation) into consideration. It will be a function of the material, temperature and type of gas in question. You will find typical ultimate pressures for elastomers in the chapter entitled "Materials."

-The highest and lowest permissible temperatures in the entire system will be governed by the lowest high temperature and highest low temperature of the components involved.

-The flange connections and components have been developed in order to achieve vacuum-tight connections. They can only assume mechanical loads to a limited extent. In designing a vacuum system, it will therefore be necessary to review whether it will be necessary for static or dynamic loads to be assumed by additional elements, e.g. holders.

Components Elements Properties

Material number (AISI No.)	Material abbreviation	Cr(%)	Ni(%)	Mo (%)	C (%)	Si (%)	Mn (%)	P (%)	S (%)	Other additives / Comments
1.4301 (304)	X5CrNi 18 10	15-20	8-19	*	0,1	1	2	0,05	0,015	* MO permissible
1.4303 (305)	X4CrNi 18 12	15-20	8-19	*	0,1	1	2	0,05	0,015	* MO permissible
1.4305 (303)	X8CrNiS 18 9	16-19	5-10	max. 0.7	0,12	1	6,5	0,2	0.15-0.35	Cu, sulphur can be substituted with selenium
1.4306 (304L)	X2CrNi 19 11	18-20	10-12	-	0,03	1	2	0,045	0,015	
1.4307 (304L)	X2CrNi 18 9	17.5-19.5	8-10.5	-	0,03	1	2	0,045	0,015	
1.4310 (301)	X10CrNi 18 10	16-18	6-9.5	max. 0.8	0.05-0.15	2	2	0,045	0,015	
1.4401 (316)	X5CrNiMo 17-12-2	16-18.5	10-15	2-3	0,08	1	2	0,045	0,03	
1.4404 (316L)	X2CrNiMo 17-13-2	16-18.5	10-13	2-2.5	0,03	1	2	0,045	0,015	
1.4429 (316LN)	X2CrNiMo 17-13-3	16.5-18.5	11-14	2.5-3	0,03	1	2	0,045	0,015	
1.4435 (316L)	X2CrNiMo 18-14-3	17-19	12.5-15	2.5-3	0,03	1	2	0,045	0,015	
1.4541 (321)	X6CrNiTi 18-10	17-19	9-12	-	0,08	1	2	0,045	0,015	Mo permissible, must contain Ti or Nb or Ta for stability
1.4571 (316Ti)	X6CrNiMoTi 17 12 2	16.5-18	10.5-13.5	2-2.5	0,08	1	2	0,045	0,015	

Materials

Table of Properties High-Grade Steels

Material number (AISI No.)	0.2% yield point at 20 °C in N/mm2	0.2% yield point at 300 °C in N/mm2	Tensile strength in N/mm2	Coefficient of linear expansion in $10^{-6} K^{-1}$ bet. 20 °C and 300 °C	Max. operation temperature of air	Structure	Magnetability
1.4301 (304)	210-250	110	520-720	17	300	Austenitic steel with small ferrite content	possible
1.4306 (304L)	220-250	100	520-670	17	350	Austenitic steel with small ferrite content	possible
1,431	220-240	100	520-670	17	350	Austenitic steel with small ferrite content	possible
1.4401 (316)	220-250	128	530-680	17	300	Austenitic steel with small ferrite content	less possible
1.4404 (316L)	220-260	118	530-680	17	400	Austenitic steel with small ferrite content	less possible
1.4429 (316LN)	280-310	155	580-770	17	400	Austenitic steel	not possible
1.4435 (316L)	220-260	118	540-700	17	400	Austenitic steel	not possible
1.4541 (321)	200-250	135	520-710	17	400	Austenitic steel with small ferrite content	possible
1.4571 (316Ti)	220-260	145	540-690	18	400	Austenitic steel with small ferrite content	possible

Materials

Properties of Elastomer Materials

Designation	Base Elastomer	Customary Trade Name	Temperature Range [°C]	Properties ^{*3 *4}
FKM, FPM	Fluoro rubber	Viton®	-15 to 200	<ul style="list-style-type: none"> > Extremely resistant to petroleum-based oils, aliphatic and aromatic hydrocarbons as well as chlorinated hydrocarbons, concentrated and diluted acids and weak bases > Outstanding temperature resistance > High mechanical values > Superb aging resistance > Typically achievable ultimate pressure: 10⁻⁷ mbar
NBR	Acrylonitrile butadiene rubber, nitrite rubber	Perbunan®	-25 to 120	<ul style="list-style-type: none"> > Resistant to petroleum-based oils, hydraulic oils, lubricants, gasoline as well as other aliphatic hydrocarbons, diluted acids and bases > High wear resistance and stability > Very good helium-tightness > Typically achievable ultimate pressure: 10⁻⁶ mbar
EPDM	Ethylene propylene rubber	Dutral®	-50 to 130	<ul style="list-style-type: none"> > High resistance to hot water and steam > Very good resistance to aging and ozone > Good temperature stability > Very good resistance to oxidizing agents > No resistance to aliphatic and aromatic hydrocarbons and petroleum products > Typically achievable ultimate pressure: 10⁻⁶ mbar
VMQ	Silicon rubber	Silopren® Silikon	-55 to 200	<ul style="list-style-type: none"> > Superb temperature resistance, however not in the case of hot water or steam > Typically achievable ultimate pressure: 10⁻⁵ mbar
CR	Chloroprene Rubber	Neopren®	-40°C up to +100°C	<ul style="list-style-type: none"> > Low friction and low 'stick-slip' effect > Far better elasticity than solid PTFE > Common within pharmaceutical and processing industries

**3 Information relating to resistance should be used only as a guideline, as it is provided solely for the purpose of general information. Although this information is intended to simplify selection of the elastomer, it can by no means be deemed to represent a warranty, as it cannot readily be applied to real-world operating conditions. Service life might have to be determined on the basis of trial and error.*

**4 The indicated ultimate pressures are based upon experience showing what can be achieved in a well designed vacuum system. They could be higher or lower in individual cases.*

Materials

Metallic seals

Metallic seals require high contact pressures. They are plastically deformed when assembled and can therefore be used only once. Their hardness has to be lower than that of the flanges, thus allowing them to adapt to the microstructure and produce a metallic ultra high vacuum-tight connection.

Aluminium

Aluminium seals with Aluminium edged seal rings are employed for ISO-KF and ISO-K flanges. What are used are soft-annealable Aluminium-silicon alloys that require a contact pressure of around 100 N/mm². The differing thermal expansion will limit the maximum permissible working temperature in connection with the combination of Aluminium seal and stainless steel flanges to around 150°C. Following exposure to excess temperatures, the sealing effect will often deteriorate after cool-down.

Copper

Copper has around the same thermal expansion as austenitic stainless steel. Copper seals are used as gaskets (CF flanges) or wire seals (COF flanges). The copper must be of low-oxygen design, i.e. OF (Oxygen Free) or OFHC (Oxygen Free High Conductivity) must be employed. The presence of oxygen will lead to what is called "hydrogen disease"; i.e. when heat treated, the hydrogen will react with oxygen and the water that is thus produced will burst the structure.

Copper seals require a contact pressure of at least 200 N/mm². Their maximum permissible working temperature in air is 200°C; silver coating increases this to a maximum of 450°C. Soft-annealed copper seals require less contact pressure. They should be used in connection with viewports, in particular, in order to keep assembly related stresses as low as possible.

Materials

Description of individual high-grade steel types

1.4301 (304):

Suitable for vacuum applications. Austenitic stainless steel. Very high cold formability. Easily weldable. High corrosion resistance.

1.4305 (303):

Lower corrosion resistance than 1.4301. Easy to machine. Not weldable.

1.4306 1.4307 (304L):

Suitable for vacuum applications. Low-carbon variant of 1.4301 with similar properties. Easily weldable.

1.4401 (316):

Suitable for vacuum applications. Very high cold formability. Easily weldable. Due to molybdenum additive, more resistant than 1.4301 to non-oxidising acids and chlorine substance.

1.4404 (316L):

Suitable for vacuum applications. Significantly less carbon than 1.4401 but with similar properties. Easily weldable.

1.4429 (304LN):

Suitable for vacuum applications. Higher strength than 1.4435.

1.4435 (316LMo):

Suitable for vacuum applications. Similar properties to 1.4404. The increased content of molybdenum makes 1.4435 more resistant to non-oxidising acids.

1.4541 (321):

Suitable for vacuum applications. Similar properties to 1.4301 but not polishable. Titan-stabilised, which makes it highly weldable in all dimensions without being susceptible to intergranular corrosion.

1.4571 (316Ti):

Suitable for vacuum applications. Similar properties to 1.4401. Titan-stabilised, which makes it highly weldable in all dimensions without being susceptible to intergranular corrosion.

1.4429 (316LN-ESR):

Suitable for vacuum applications. Very high homogeneity including purity combined with a high hardness level. Very low magnetic permeability. Other properties correspond to 1.4429.

Sealing materials

Elastomer seals are permeable to gas and also emit gases. The gas permeability, or permeation, depends on the material, the type of gas and ambient conditions – mainly the temperature. After an adequate evacuation time, the outward gas stream decreases considerably, which means that a relatively constant permeation gas stream materialises.

Storage conditions of elastomer seals:

To ensure that their properties are retained as long as possible, we recommend the following ambient conditions during storage:

- an area with little temperature variation
- an area where the temperature is between 10-25 °C
- O-rings should be stored in lightproof boxes

Metal seals made of aluminium:

High purity, which in turn allows to be used in combination with Aluminium as well as stainless steel flanges. Temperature range: -196 °C to 150 °C. One time use only.

ISO-KF Components & Connection Types

KF components are used in low, medium and high vacuum systems. KF flanges are a sexless design, made from stainless steel or Aluminium. The seal is a elastomeric O-ring placed in a centering ring (inner centered), which aligns the flanges and holds the O-ring in position. These components are manufactured at Anadolu Vacuum in accordance with DIN 28403 and ISO 2861 in sizes NW10 to NW50 and are compatible with components from other well-known brand. The name KF (for Klein Flansche) was acknowledged by ISO, DIN, and Pneurop standards organizations. It is also called QF, NW and occasionally DN.

Each flange has a chamfered back-surface and is compatible by a circumferential clamp tightened by wing-nut, thumbscrew, bolt, or over-center lever (Fig. 1). All welded parts have been leak-tested using helium and are leak-proof up to 10^{-9} mbarl/s. The KF connection include on two symmetric flanges with a centering ring (inner centered), with O-ring seal and a clamping ring (Fig. 1). The essential contact pressure for the seal is composed via the conical fixing surfaces at the KF flange and clamping ring. Besides collar half shells can be used rather than a clamping ring. For the montage of KF components on base plates, claws are used (Fig. 2).

KF components are appropriate for a pressure of 2.5 bar (1.5 bar abundant pressure) and pressure of up to 10^{-9} mbar. At a max. pressure of up to 4 bar (3 bar abundant pressure), an outer ring in together with a clamping ring must be set upped.

Please consider the product information given on the product pages.



(Fig. 1)



(Fig. 2)

ISO-KF Flanges

This part consists of ISO-KF Flanges.
Check out this section for products NW10-NW50

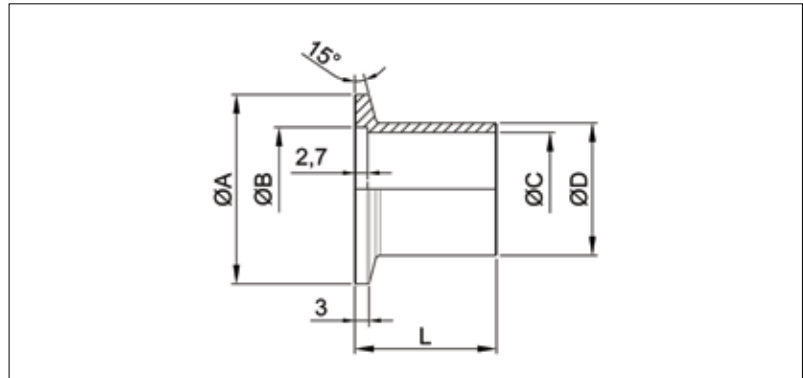


ISO-KF Short Half Flange



- Pressure range: $1 \cdot 10^{-8}$ mbar to 1.5 bar (elastomer seal)
 $1 \cdot 10^{-9}$ mbar to 1.5 bar (metal seal)
- Custom lengths available upon request

Dimensions



Aluminium EN AW-6082/3.2315

- Temperature Range: -196 to 150 C°

Size (DN)	Tube Dimension (mm)	A (mm)	B (mm)	C (mm)	D (mm)	L (mm)	Order No
10	14X2	30	12.2	10	14	10	VC1FLA1AL010-14-10
10	14X2	30	12.2	10	14	20	VC1FLA1AL010-14-20
10	14X2	30	12.2	10	14	30	VC1FLA1AL010-14-30
16	20X2	30	17.2	16	20	10	VC1FLA1AL016-20-10
16	20X2	30	17.2	16	20	20	VC1FLA1AL016-20-20
16	20X2	30	17.2	16	20	30	VC1FLA1AL016-20-30
20	25X2	40	22,2	20	25	10	VC1FLA1AL020-25-10
20	25X2	40	22,2	20	25	20	VC1FLA1AL020-25-20
20	25X2	40	22,2	20	25	30	VC1FLA1AL020-25-30
25	28X2	40	26.2	24	28	10	VC1FLA1AL025-28-10
25	28X2	40	26.2	24	28	20	VC1FLA1AL025-28-20
25	28X2	40	26.2	24	28	30	VC1FLA1AL025-28-30
32	38X2	55	34,2	34	38	10	VC1FLA1AL032-38-10
32	38X2	55	34,2	34	38	20	VC1FLA1AL032-38-20
32	38X2	55	34,2	34	38	30	VC1FLA1AL032-38-30
40	44.5X2	55	41.2	40,5	44.5	10	VC1FLA1AL040-44-10
40	44.5X2	55	41.2	40,5	44.5	20	VC1FLA1AL040-44-20
40	44.5X2	55	41.2	40,5	44.5	30	VC1FLA1AL040-44-30
50	57X3,2	75	52.2	50	57	10	VC1FLA1AL050-57-10
50	57X3,2	75	52.2	50	57	20	VC1FLA1AL050-57-20
50	57X3,2	75	52.2	50	57	30	VC1FLA1AL050-57-30

Stainless Steel 304/1.4301

- Temperature range: -196 to 300 °C

Size (DN)	Tube Dimension (mm)	A (mm)	B (mm)	C (mm)	D (mm)	L (mm)	Order No
10	14X2	30	12.2	10	14	10	VC1FLA1SS010-14-10
10	14X2	30	12.2	10	14	20	VC1FLA1SS010-14-20
10	14X2	30	12.2	10	14	30	VC1FLA1SS010-14-30
16	20X2	30	17.2	16	20	10	VC1FLA1SS016-20-10
16	20X2	30	17.2	16	20	20	VC1FLA1SS016-20-20
16	20X2	30	17.2	16	20	30	VC1FLA1SS016-20-30
20	25X2	40	22,2	20	25	10	VC1FLA1SS020-25-10
20	25X2	40	22,2	20	25	20	VC1FLA1SS020-25-20
20	25X2	40	22,2	20	25	30	VC1FLA1SS020-25-30
25	28X2	40	26.2	24	28	10	VC1FLA1SS025-28-10
25	28X2	40	26.2	24	28	20	VC1FLA1SS025-28-20
25	28X2	40	26.2	24	28	30	VC1FLA1SS025-28-30
32	38X2	55	34,2	34	38	10	VC1FLA1SS032-38-10
32	38X2	55	34,2	34	38	20	VC1FLA1SS032-38-20
32	38X2	55	34,2	34	38	30	VC1FLA1SS032-38-30
40	44.5X2	55	41.2	40,5	44.5	10	VC1FLA1SS040-44-10
40	44.5X2	55	41.2	40,5	44.5	20	VC1FLA1SS040-44-20
40	44.5X2	55	41.2	40,5	44.5	30	VC1FLA1SS040-44-30
50	57X3,2	75	52.2	50	57	10	VC1FLA1SS050-57-10
50	57X3,2	75	52.2	50	57	20	VC1FLA1SS050-57-20
50	57X3,2	75	52.2	50	57	30	VC1FLA1SS050-57-30

Stainless Steel 316L/1.4404

- Temperature range: -196 to 350 °C

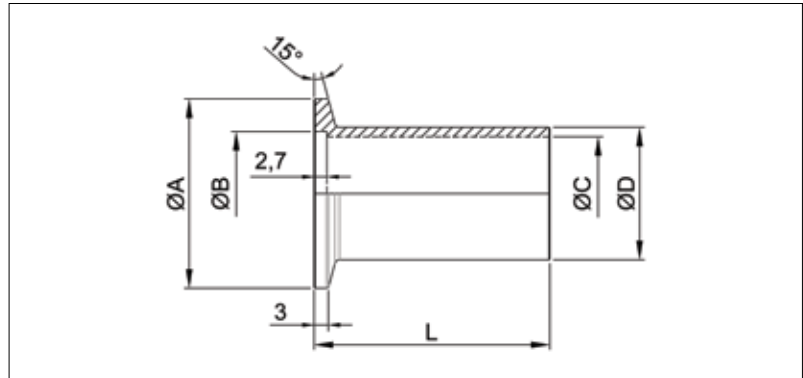
Size (DN)	Tube Dimension (mm)	A (mm)	B (mm)	C (mm)	D (mm)	L (mm)	Order No
10	14X2	30	12.2	10	14	10	VC1FLA2SS010-14-10
10	14X2	30	12.2	10	14	20	VC1FLA2SS010-14-20
10	14X2	30	12.2	10	14	30	VC1FLA2SS010-14-30
16	20X2	30	17.2	16	20	10	VC1FLA2SS016-20-10
16	20X2	30	17.2	16	20	20	VC1FLA2SS016-20-20
16	20X2	30	17.2	16	20	30	VC1FLA2SS016-20-30
20	25X2	40	22,2	20	25	10	VC1FLA2SS020-25-10
20	25X2	40	22,2	20	25	20	VC1FLA2SS020-25-20
20	25X2	40	22,2	20	25	30	VC1FLA2SS020-25-30
25	28X2	40	26.2	24	28	10	VC1FLA2SS025-28-10
25	28X2	40	26.2	24	28	20	VC1FLA2SS025-28-20
25	28X2	40	26.2	24	28	30	VC1FLA2SS025-28-30
32	38X2	55	34,2	34	38	10	VC1FLA2SS032-38-10
32	38X2	55	34,2	34	38	20	VC1FLA2SS032-38-20
32	38X2	55	34,2	34	38	30	VC1FLA2SS032-38-30
40	44.5X2	55	41.2	40,5	44.5	10	VC1FLA2SS040-44-10
40	44.5X2	55	41.2	40,5	44.5	20	VC1FLA2SS040-44-20
40	44.5X2	55	41.2	40,5	44.5	30	VC1FLA2SS040-44-30
50	57X3,2	75	52.2	50	57	10	VC1FLA2SS050-57-10
50	57X3,2	75	52.2	50	57	20	VC1FLA2SS050-57-20
50	57X3,2	75	52.2	50	57	30	VC1FLA2SS050-57-30

ISO-KF Long Half Flange



- Pressure range: $1 \cdot 10^{-8}$ mbar to 1.5 bar (elastomer seal)
 $1 \cdot 10^{-9}$ mbar to 1.5 bar (metal seal)
- Custom lengths available upon request

Dimensions



Aluminium EN AW-6082/3.2315

- Temperature Range: -196 to 150 C°

Size (DN)	Tube Dimension (mm)	A (mm)	B (mm)	C (mm)	D (mm)	L (mm)	Order No
10	14X2	30	12.2	10	14	40	VC1FLB1AL010-14-40
10	14X2	30	12.2	10	14	50	VC1FLB1AL010-14-50
10	14X2	30	12.2	10	14	60	VC1FLB1AL010-14-60
16	20X2	30	17.2	16	20	40	VC1FLB1AL016-20-40
16	20X2	30	17.2	16	20	50	VC1FLB1AL016-20-50
16	20X2	30	17.2	16	20	60	VC1FLB1AL016-20-60
20	25X2	40	22,2	20	25	40	VC1FLB1AL020-25-40
20	25X2	40	22,2	20	25	50	VC1FLB1AL020-25-50
20	25X2	40	22,2	20	25	60	VC1FLB1AL020-25-60
25	28X2	40	26.2	24	28	40	VC1FLB1AL025-28-40
25	28X2	40	26.2	24	28	50	VC1FLB1AL025-28-50
25	28X2	40	26.2	24	28	60	VC1FLB1AL025-28-60
32	38X2	55	34,2	34	38	40	VC1FLB1AL032-38-40
32	38X2	55	34,2	34	38	50	VC1FLB1AL032-38-50
32	38X2	55	34,2	34	38	60	VC1FLB1AL032-38-60
40	44.5X2	55	41.2	40,5	44.5	40	VC1FLB1AL040-44-40
40	44.5X2	55	41.2	40,5	44.5	50	VC1FLB1AL040-44-50
40	44.5X2	55	41.2	40,5	44.5	60	VC1FLB1AL040-44-60
50	57X3,2	75	52.2	50	57	40	VC1FLB1AL050-57-40
50	57X3,2	75	52.2	50	57	50	VC1FLB1AL050-57-50
50	57X3,2	75	52.2	50	57	60	VC1FLB1AL050-57-60

Stainless Steel 304/1.4301

- Temperature range: -196 to 300 °C

Size (DN)	Tube Dimension (mm)	A (mm)	B (mm)	C (mm)	D (mm)	L (mm)	Order No
10	14X2	30	12.2	10	14	40	VC1FLB1SS010-14-40
10	14X2	30	12.2	10	14	50	VC1FLB1SS010-14-50
10	14X2	30	12.2	10	14	60	VC1FLB1SS010-14-60
16	20X2	30	17.2	16	20	40	VC1FLB1SS016-20-40
16	20X2	30	17.2	16	20	50	VC1FLB1SS016-20-50
16	20X2	30	17.2	16	20	60	VC1FLB1SS016-20-60
20	25X2	40	22,2	20	25	40	VC1FLB1SS020-25-40
20	25X2	40	22,2	20	25	50	VC1FLB1SS020-25-50
20	25X2	40	22,2	20	25	60	VC1FLB1SS020-25-60
25	28X2	40	26.2	24	28	40	VC1FLB1SS025-28-40
25	28X2	40	26.2	24	28	50	VC1FLB1SS025-28-50
25	28X2	40	26.2	24	28	60	VC1FLB1SS025-28-60
32	38X2	55	34,2	34	38	40	VC1FLB1SS032-38-40
32	38X2	55	34,2	34	38	50	VC1FLB1SS032-38-50
32	38X2	55	34,2	34	38	60	VC1FLB1SS032-38-60
40	44.5X2	55	41.2	40,5	44.5	40	VC1FLB1SS040-44-40
40	44.5X2	55	41.2	40,5	44.5	50	VC1FLB1SS040-44-50
40	44.5X2	55	41.2	40,5	44.5	60	VC1FLB1SS040-44-60
50	57X3,2	75	52.2	50	57	40	VC1FLB1SS050-57-40
50	57X3,2	75	52.2	50	57	50	VC1FLB1SS050-57-50
50	57X3,2	75	52.2	50	57	60	VC1FLB1SS050-57-60

Stainless Steel 316L/1.4404

- Temperature range: -196 to 350 °C

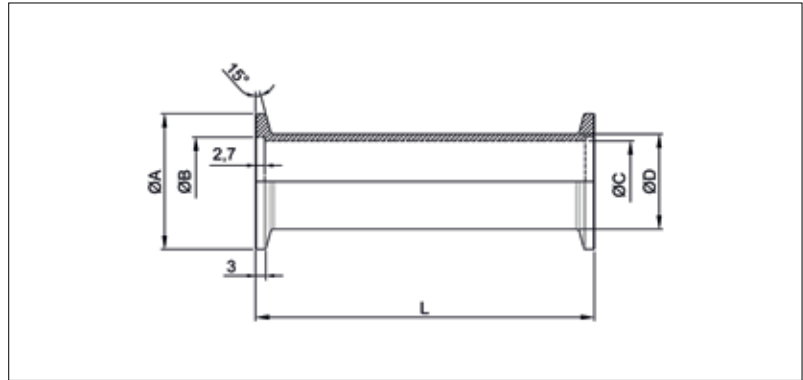
Size (DN)	Tube Dimension (mm)	A (mm)	B (mm)	C (mm)	D (mm)	L (mm)	Order No
10	14X2	30	12.2	10	14	40	VC1FLB2SS010-14-40
10	14X2	30	12.2	10	14	50	VC1FLB2SS010-14-50
10	14X2	30	12.2	10	14	60	VC1FLB2SS010-14-60
16	20X2	30	17.2	16	20	40	VC1FLB2SS016-20-40
16	20X2	30	17.2	16	20	50	VC1FLB2SS016-20-50
16	20X2	30	17.2	16	20	60	VC1FLB2SS016-20-60
20	25X2	40	22,2	20	25	40	VC1FLB2SS020-25-40
20	25X2	40	22,2	20	25	50	VC1FLB2SS020-25-50
20	25X2	40	22,2	20	25	60	VC1FLB2SS020-25-60
25	28X2	40	26.2	24	28	40	VC1FLB2SS025-28-40
25	28X2	40	26.2	24	28	50	VC1FLB2SS025-28-50
25	28X2	40	26.2	24	28	60	VC1FLB2SS025-28-60
32	38X2	55	34,2	34	38	40	VC1FLB2SS032-38-40
32	38X2	55	34,2	34	38	50	VC1FLB2SS032-38-50
32	38X2	55	34,2	34	38	60	VC1FLB2SS032-38-60
40	44.5X2	55	41.2	40,5	44.5	40	VC1FLB2SS040-44-40
40	44.5X2	55	41.2	40,5	44.5	50	VC1FLB2SS040-44-50
40	44.5X2	55	41.2	40,5	44.5	60	VC1FLB2SS040-44-60
50	57X3,2	75	52.2	50	57	40	VC1FLB2SS050-57-40
50	57X3,2	75	52.2	50	57	50	VC1FLB2SS050-57-50
50	57X3,2	75	52.2	50	57	60	VC1FLB2SS050-57-60

ISO-KF Full Flange



- Pressure range: $1 \cdot 10^{-8}$ mbar to 1.5 bar (elastomer seal)
 $1 \cdot 10^{-9}$ mbar to 1.5 bar (metal seal)
- Custom lengths available upon request

Dimensions



Aluminium EN AW-6082/3.2315

- Temperature Range: -196 to 150 °C

Size (DN)	A (mm)	B (mm)	C (mm)	D (mm)	L (mm)	Order No.
10	30	12.2	10	14	60	VC1FLC1AL010-60
16	30	17.2	16	20	80	VC1FLC1AL016-80
20	40	22,2	20	25	100	VC1FLC1AL020-100
25	40	26.2	24	28	100	VC1FLC1AL025-100
32	55	34,2	34	38	130	VC1FLC1AL032-130
40	55	41.2	40,5	44.5	130	VC1FLC1AL040-130
50	75	52.2	50	57	140	VC1FLC1AL050-140

Stainless Steel 304/1.4301

- Temperature range: -196 to 300 °C

Size (DN)	A (mm)	B (mm)	C (mm)	D (mm)	L (mm)	Order No.
10	30	12.2	10	14	60	VC1FLC1SS010-60
16	30	17.2	16	20	80	VC1FLC1SS016-80
20	40	22,2	20	25	100	VC1FLC1SS020-100
25	40	26.2	24	28	100	VC1FLC1SS025-100
32	55	34,2	34	38	130	VC1FLC1SS032-130
40	55	41.2	40,5	44.5	130	VC1FLC1SS040-130
50	75	52.2	50	57	140	VC1FLC1SS050-140

Stainless Steel 316L/1.4404

- Temperature range: -196 to 350 °C

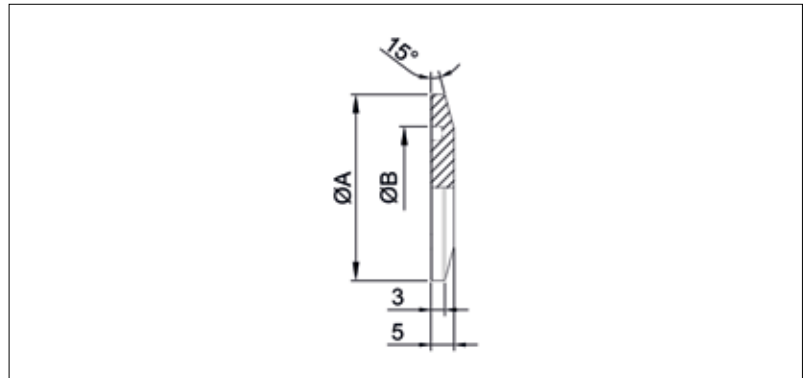
Size (DN)	A (mm)	B (mm)	C (mm)	D (mm)	L (mm)	Order No.
10	30	12.2	10	14	60	VC1FLC2SS010-60
16	30	17.2	16	20	80	VC1FLC2SS016-80
20	40	22,2	20	25	100	VC1FLC2SS020-100
25	40	26.2	24	28	100	VC1FLC2SS025-100
32	55	34,2	34	38	130	VC1FLC2SS032-130
40	55	41.2	40,5	44.5	130	VC1FLC2SS040-130
50	75	52.2	50	57	140	VC1FLC2SS050-140

ISO-KF Blanking Flange



- Pressure range: $1 \cdot 10^{-8}$ mbar to 1.5 bar (elastomer seal)
 $1 \cdot 10^{-9}$ mbar to 1.5 bar (metal seal just for 304 & 316L)

Dimensions



Aluminium EN AW-6082/3.2315

- Temperature Range: -196 to 150 C°

Size (DN)	A (mm)	B (mm)	Order No.
10	30	12.2	VC1FLD1AL010
16	30	17.2	VC1FLD1AL016
20	40	22,2	VC1FLD1AL020
25	40	26.2	VC1FLD1AL025
32	55	34,2	VC1FLD1AL032
40	55	41.2	VC1FLD1AL040
50	75	52.2	VC1FLD1AL050

Stainless Steel 304/1.4301

- Temperature range: -196 to 300 °C

Size (DN)	A (mm)	B (mm)	Order No.
10	30	12.2	VC1FLD1SS010
16	30	17.2	VC1FLD1SS016
20	40	22,2	VC1FLD1SS020
25	40	26.2	VC1FLD1SS025
32	55	34,2	VC1FLD1SS032
40	55	41.2	VC1FLD1SS040
50	75	52.2	VC1FLD1SS050

Stainless Steel 316L/1.4404

- Temperature range: -196 to 350 °C

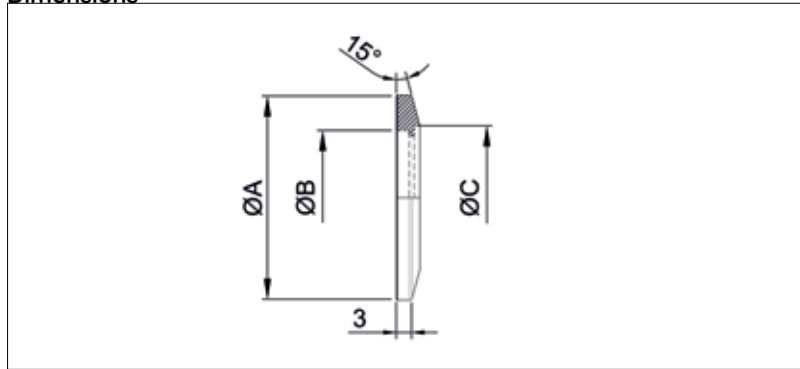
Size (DN)	A (mm)	B (mm)	Order No.
10	30	12.2	VC1FLD2SS010
16	30	17.2	VC1FLD2SS016
20	40	22,2	VC1FLD2SS020
25	40	26.2	VC1FLD2SS025
32	55	34,2	VC1FLD2SS032
40	55	41.2	VC1FLD2SS040
50	75	52.2	VC1FLD2SS050

ISO-KF Weld Ring Flange



- Pressure range: $1 \cdot 10^{-8}$ mbar to 1.5 bar (elastomer seal)
 $1 \cdot 10^{-9}$ mbar to 1.5 bar (metal seal)

Dimensions



Stainless Steel 304/1.4301

- Temperature range: -196 to 300 °C

Size (DN)	Tube Dimension (mm)	A (mm)	B (mm)	C (mm)	Order No.
10	14X2	30	12.2	14	VC1FLE1SS010-14-2
16	20X2	30	17.2	20	VC1FLE1SS016-20-2
20	25X2	40	22,2	25	VC1FLE1SS020-25-2
25	28X2	40	26.2	28	VC1FLE1SS025-28-2
32	38X2	55	34,2	38	VC1FLE1SS032-38-2
40	44.5X2	55	41.2	44,5	VC1FLE1SS040-44-2
50	57X3,2	75	52.2	57	VC1FLE1SS050-57-3
					VC1FLE1SS010-13-1
					VC1FLE1SS016-19-1
					VC1FLE1SS020-23-1
					VC1FLE1SS025-28-1
					VC1FLE1SS032-34-1
					VC1FLE1SS040-40-1
					VC1FLE1SS050-53-1

Stainless Steel 316L/1.4404

- Temperature range: -196 to 350 °C

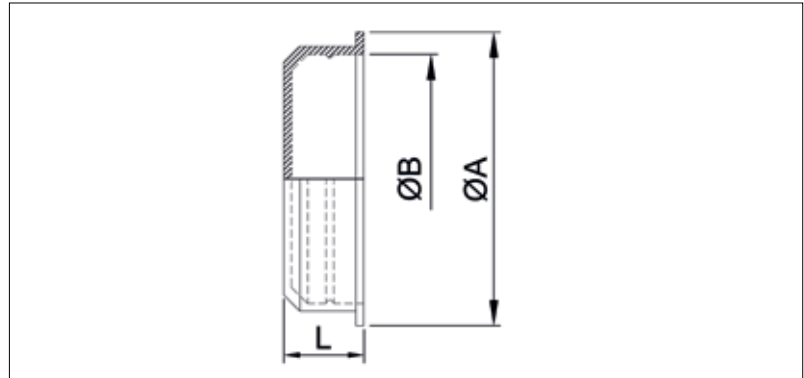
Size (DN)	Tube Dimension (mm)	A (mm)	B (mm)	C (mm)	Order No.
10	14X2	30	12.2	14	VC1FLE2SS010-14-2
16	20X2	30	17.2	20	VC1FLE2SS016-20-2
20	25X2	40	22,2	25	VC1FLE2SS020-25-2
25	28X2	40	26.2	28	VC1FLE2SS025-28-2
32	38X2	55	34,2	38	VC1FLE2SS032-38-2
40	44.5X2	55	41.2	44,5	VC1FLE2SS040-44-2
50	57X3,2	75	52.2	57	VC1FLE2SS050-57-3
					VC1FLE2SS010-13-1
					VC1FLE2SS016-19-1
					VC1FLE2SS020-23-1
					VC1FLE2SS025-28-1
					VC1FLE2SS032-34-1
					VC1FLE2SS040-40-1
					VC1FLE2SS050-53-1

ISO-KF Flange Caps (Plastics)

- Made from plastic.
- Polyethylene (PE)



Dimensions



Plastic

Size (DN)	A (mm)	B (mm)	L (mm)	Order No.
10/16	30	37	11.5	VC1FLF2PL016
20/25	40	47	11.5	VC1FLF2PL025
32/40	55	62	11.5	VC1FLF2PL040
50	75	82	11.5	VC1FLF2PL050

ISO-KF Seals

This part consists of KF Seals.
Check out this section for products NW10-NW50.

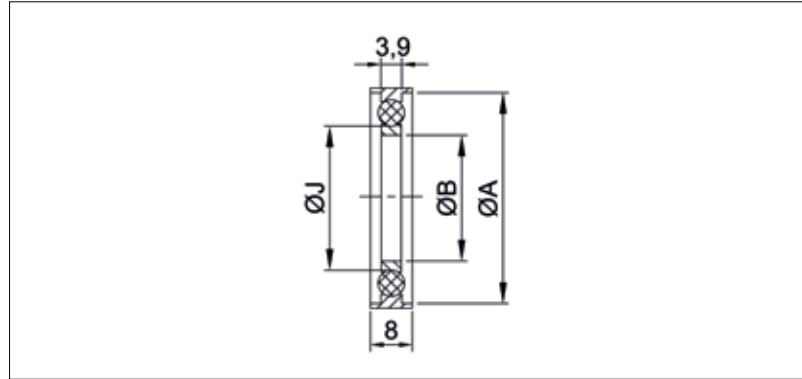


ISO-KF Seals Outer Centered



- Various types of O-ring seals are available.
- Inner ring material: Stainless steel
- Consider O-ring temperature ranges (See Properties of Elastomer Materials Table on Page 14)

Dimensions



Aluminium EN AW-6082/3.2315

- Temperature Range: -196 to 150 C°

Size (DN)	A (mm)	B (mm)	J (mm)	O-ring	Order No.
10/16	30	16	18	FKM	VC1SLA1AL016-FKM
20/25	40	24	28	FKM	VC1SLA1AL025-FKM
32/40	55	40	42	FKM	VC1SLA1AL040-FKM
50	75	50	55	FKM	VC1SLA1AL050-FKM
10/16	30	16	18	CR	VC1SLA1AL016-CR
20/25	40	24	28	CR	VC1SLA1AL025-CR
32/40	55	40	42	CR	VC1SLA1AL040-CR
50	75	50	55	CR	VC1SLA1AL050-CR
10/16	30	16	18	NBR	VC1SLA1AL016-NBR
20/25	40	24	28	NBR	VC1SLA1AL025-NBR
32/40	55	40	42	NBR	VC1SLA1AL040-NBR
50	75	50	55	NBR	VC1SLA1AL050-NBR
10/16	30	16	18	EPDM	VC1SLA1AL016-EPDM
20/25	40	24	28	EPDM	VC1SLA1AL025-EPDM
32/40	55	40	42	EPDM	VC1SLA1AL040-EPDM
50	75	50	55	EPDM	VC1SLA1AL050-EPDM
10/16	40	24	28	VMQ (SILICON)	VC1SLA1AL016-VMQ
20/25	40	24	28	VMQ (SILICON)	VC1SLA1AL025-VMQ
32/40	55	40	42	VMQ (SILICON)	VC1SLA1AL040-VMQ
50	75	50	55	VMQ (SILICON)	VC1SLA1AL050-VMQ

PTFE (inner and centering ring)

- Temperature Range: -15 to 150 C°

Size (DN)	A (mm)	B (mm)	J (mm)	O-ring	Order No.
10/16	30	16	18	FKM	VC1SLA1PL016-FKM
20/25	40	24	28	FKM	VC1SLA1PL025-FKM
32/40	55	40	42	FKM	VC1SLA1PL040-FKM
50	75	50	55	FKM	VC1SLA1PL050-FKM

Stainless Steel 304/1.4301

- Temperature range: -196 to 300 °C

Size (DN)	A (mm)	B (mm)	J (mm)	O-ring	Order No.
10/16	30	16	18	FKM	VC1SLA1SS016-FKM
20/25	40	24	28	FKM	VC1SLA1SS025-FKM
32/40	55	40	42	FKM	VC1SLA1SS040-FKM
50	75	50	55	FKM	VC1SLA1SS050-FKM
10/16	30	16	18	CR	VC1SLA1SS016-CR
20/25	40	24	28	CR	VC1SLA1SS025-CR
32/40	55	40	42	CR	VC1SLA1SS040-CR
50	75	50	55	CR	VC1SLA1SS050-CR
10/16	30	16	18	NBR	VC1SLA1SS016-NBR
20/25	40	24	28	NBR	VC1SLA1SS025-NBR
32/40	55	40	42	NBR	VC1SLA1SS040-NBR
50	75	50	55	NBR	VC1SLA1SS050-NBR
10/16	30	16	18	EPDM	VC1SLA1SS016-EPDM
20/25	40	24	28	EPDM	VC1SLA1SS025-EPDM
32/40	55	40	42	EPDM	VC1SLA1SS040-EPDM
50	75	50	55	EPDM	VC1SLA1SS050-EPDM
10/16	30	16	18	VMQ(SILICON)	VC1SLA1SS016-VMQ
20/25	40	24	28	VMQ(SILICON)	VC1SLA1SS025-VMQ
32/40	55	40	42	VMQ(SILICON)	VC1SLA1SS040-VMQ
50	75	50	55	VMQ(SILICON)	VC1SLA1SS050-VMQ

Stainless Steel 316L/1.4404

- Temperature range: -196 to 350 °C

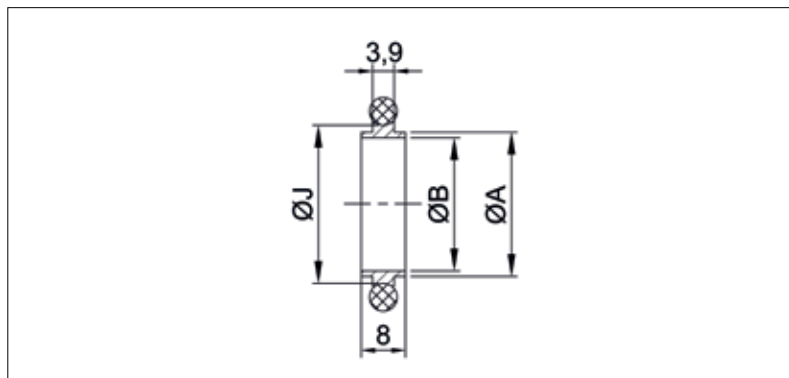
Size (DN)	A (mm)	B (mm)	J (mm)	O-ring	Order No
10/16	30	16	18	FKM	VC1SLA2SS016-FKM
20/25	40	24	28	FKM	VC1SLA2SS025-FKM
32/40	55	40	42	FKM	VC1SLA2SS040-FKM
50	75	50	55	FKM	VC1SLA2SS050-FKM
10/16	30	16	18	CR	VC1SLA2SS016-CR
20/25	40	24	28	CR	VC1SLA2SS025-CR
32/40	55	40	42	CR	VC1SLA2SS040-CR
50	75	50	55	CR	VC1SLA2SS050-CR
10/16	30	16	18	NBR	VC1SLA2SS016-NBR
20/25	40	24	28	NBR	VC1SLA2SS025-NBR
32/40	55	40	42	NBR	VC1SLA2SS040-NBR
50	75	50	55	NBR	VC1SLA2SS050-NBR
10/16	30	16	18	EPDM	VC1SLA2SS016-EPDM
20/25	40	24	28	EPDM	VC1SLA2SS025-EPDM
32/40	55	40	42	EPDM	VC1SLA2SS040-EPDM
50	75	50	55	EPDM	VC1SLA2SS050-EPDM
10/16	30	16	18	VMQ(SILICON)	VC1SLA2SS016-VMQ
20/25	40	24	28	VMQ(SILICON)	VC1SLA2SS025-VMQ
32/40	55	40	42	VMQ(SILICON)	VC1SLA2SS040-VMQ
50	75	50	55	VMQ(SILICON)	VC1SLA2SS050-VMQ

ISO-KF Seal Inner Centered



- Various types of O-ring seals are available.
- Consider O-ring temperature ranges (See Properties of Elastomer Materials Table on Page 14)

Dimensions



Aluminium EN AW-6082/3.2315

- Temperature Range: -196 to 150 C°

Size (DN)	A (mm)	B (mm)	J (mm)	O-ring	Order No.
10	12	10	15	FKM	VC1SLB1AL010-FKM
16	17	16	18	FKM	VC1SLB1AL016-FKM
20	22	20	24	FKM	VC1SLB1AL020-FKM
25	26	24	28	FKM	VC1SLB1AL025-FKM
32	34	32	35	FKM	VC1SLB1AL032-FKM
40	41	40	42	FKM	VC1SLB1AL040-FKM
50	52	50	55	FKM	VC1SLB1AL050-FKM
10	12	10	15	CR	VC1SLB1AL010-CR
16	17	16	18	CR	VC1SLB1AL016-CR
20	22	20	25	CR	VC1SLB1AL020-CR
25	26	24	28	CR	VC1SLB1AL025-CR
32	34	32	35	CR	VC1SLB1AL032-CR
40	41	40	42	CR	VC1SLB1AL040-CR
50	52	50	55	CR	VC1SLB1AL050-CR
10	12	10	15	NBR	VC1SLB1AL010-NBR
16	17	16	18	NBR	VC1SLB1AL016-NBR
20	22	20	25	NBR	VC1SLB1AL020-NBR
25	26	24	28	NBR	VC1SLB1AL025-NBR
32	34	32	35	NBR	VC1SLB1AL032-NBR
40	41	40	42	NBR	VC1SLB1AL040-NBR
50	52	50	55	NBR	VC1SLB1AL050-NBR

Size (DN)	A (mm)	B (mm)	J (mm)	O-ring	Order No.
10	12	10	15	EPDM	VC1SLB1AL010-EPDM
16	17	16	18	EPDM	VC1SLB1AL016-EPDM
20	22	20	24	EPDM	VC1SLB1AL020-EPDM
25	26	24	28	EPDM	VC1SLB1AL025-EPDM
32	34	32	35	EPDM	VC1SLB1AL032-EPDM
40	41	40	42	EPDM	VC1SLB1AL040-EPDM
50	52	50	55	EPDM	VC1SLB1AL050-EPDM
10	12	10	15	VMQ(SILICON)	VC1SLB1AL010-VMQ
16	17	16	18	VMQ(SILICON)	VC1SLB1AL016-VMQ
20	22	20	25	VMQ(SILICON)	VC1SLB1AL020-VMQ
25	26	24	28	VMQ(SILICON)	VC1SLB1AL025-VMQ
32	34	32	35	VMQ(SILICON)	VC1SLB1AL032-VMQ
40	41	40	42	VMQ(SILICON)	VC1SLB1AL040-VMQ
50	52	50	55	VMQ(SILICON)	VC1SLB1AL050-VMQ

PTFE (inner and centering ring)

- Temperature Range: -15 to 150 C°

Size (DN)	A (mm)	B (mm)	J (mm)	O-ring	Order No.
10	12	10	15	FKM	VC1SLB1PL010-FKM
16	17	16	18	FKM	VC1SLB1PL016-FKM
20	22	20	24	FKM	VC1SLB1PL020-FKM
25	26	24	28	FKM	VC1SLB1PL025-FKM
32	34	32	35	FKM	VC1SLB1PL032-FKM
40	41	40	42	FKM	VC1SLB1PL040-FKM
50	52	50	55	FKM	VC1SLB1PL050-FKM

Stainless Steel 304/1.4301

- Temperature range: -196 to 300 °C

Size (DN)	A (mm)	B (mm)	J (mm)	O-ring	Order No
10	12	10	15	FKM	VC1SLB1SS010-FKM
16	17	16	18	FKM	VC1SLB1SS016-FKM
20	22	20	24	FKM	VC1SLB1SS020-FKM
25	26	24	28	FKM	VC1SLB1SS025-FKM
32	34	32	35	FKM	VC1SLB1SS032-FKM
40	41	40	42	FKM	VC1SLB1SS040-FKM
50	52	50	55	FKM	VC1SLB1SS050-FKM
10	12	10	15	CR	VC1SLB1SS010-CR
16	17	16	18	CR	VC1SLB1SS016-CR
20	22	20	25	CR	VC1SLB1SS020-CR
25	26	24	28	CR	VC1SLB1SS025-CR
32	34	32	35	CR	VC1SLB1SS032-CR
40	41	40	42	CR	VC1SLB1SS040-CR
50	52	50	55	CR	VC1SLB1SS050-CR
10	12	10	15	NBR	VC1SLB1SS010-NBR
16	17	16	18	NBR	VC1SLB1SS016-NBR
20	22	20	24	NBR	VC1SLB1SS020-NBR
25	26	24	28	NBR	VC1SLB1SS025-NBR
32	34	32	35	NBR	VC1SLB1SS032-NBR
40	41	40	42	NBR	VC1SLB1SS040-NBR
50	52	50	55	NBR	VC1SLB1SS050-NBR
10	12	10	15	EPDM	VC1SLB1SS010-EPDM
16	17	16	18	EPDM	VC1SLB1SS016-EPDM
20	22	20	24	EPDM	VC1SLB1SS020-EPDM
25	26	24	28	EPDM	VC1SLB1SS025-EPDM
32	34	32	35	EPDM	VC1SLB1SS032-EPDM
40	41	40	42	EPDM	VC1SLB1SS040-EPDM
50	52	50	55	EPDM	VC1SLB1SS050-EPDM
10	12	10	15	VMQ(SILICON)	VC1SLB1SS010-VMQ
16	17	16	18	VMQ(SILICON)	VC1SLB1SS016-VMQ
20	22	20	24	VMQ(SILICON)	VC1SLB1SS020-VMQ
25	26	24	28	VMQ(SILICON)	VC1SLB1SS025-VMQ
32	34	32	35	VMQ(SILICON)	VC1SLB1SS032-VMQ
40	41	40	42	VMQ(SILICON)	VC1SLB1SS040-VMQ
50	52	50	55	VMQ(SILICON)	VC1SLB1SS050-VMQ

Stainless Steel 316L/1.4404

- Temperature range: -196 to 350 °C

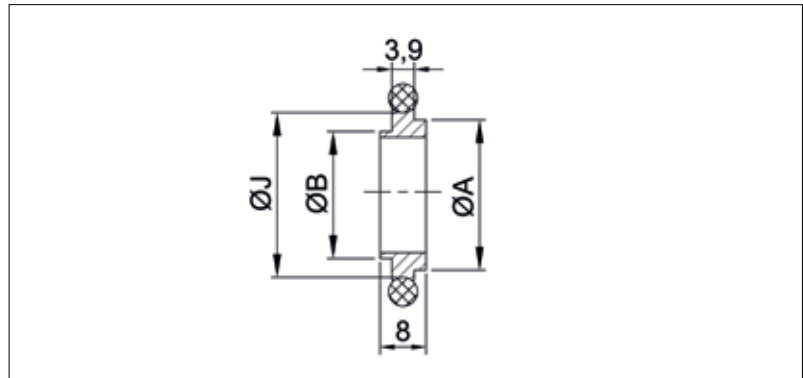
Size (DN)	A (mm)	B (mm)	J (mm)	O-ring	Order No
10	12	10	15	FKM	VC1SLB2SS010-FKM
16	17	16	18	FKM	VC1SLB2SS016-FKM
20	22	20	24	FKM	VC1SLB2SS020-FKM
25	26	24	28	FKM	VC1SLB2SS025-FKM
32	34	32	35	FKM	VC1SLB2SS032-FKM
40	41	40	42	FKM	VC1SLB2SS040-FKM
50	52	50	55	FKM	VC1SLB2SS050-FKM
10	12	10	15	CR	VC1SLB2SS010-CR
16	17	16	18	CR	VC1SLB2SS016-CR
20	22	20	25	CR	VC1SLB2SS020-CR
25	26	24	28	CR	VC1SLB2SS025-CR
32	34	32	35	CR	VC1SLB2SS032-CR
40	41	40	42	CR	VC1SLB2SS040-CR
50	52	50	55	CR	VC1SLB2SS050-CR
10	12	10	15	NBR	VC1SLB2SS010-NBR
16	17	16	18	NBR	VC1SLB2SS016-NBR
20	22	20	24	NBR	VC1SLB2SS020-NBR
25	26	24	28	NBR	VC1SLB2SS025-NBR
32	34	32	35	NBR	VC1SLB2SS032-NBR
40	41	40	42	NBR	VC1SLB2SS040-NBR
50	52	50	55	NBR	VC1SLB2SS050-NBR
10	12	10	15	EPDM	VC1SLB2SS010-EPDM
16	17	16	18	EPDM	VC1SLB2SS016-EPDM
20	22	20	24	EPDM	VC1SLB2SS020-EPDM
25	26	24	28	EPDM	VC1SLB2SS025-EPDM
32	34	32	35	EPDM	VC1SLB2SS032-EPDM
40	41	40	42	EPDM	VC1SLB2SS040-EPDM
50	52	50	55	EPDM	VC1SLB2SS050-EPDM
10	12	10	15	VMQ(SILICON)	VC1SLB2SS010-VMQ
16	17	16	18	VMQ(SILICON)	VC1SLB2SS016-VMQ
20	22	20	24	VMQ(SILICON)	VC1SLB2SS020-VMQ
25	26	24	28	VMQ(SILICON)	VC1SLB2SS025-VMQ
32	34	32	35	VMQ(SILICON)	VC1SLB2SS032-VMQ
40	41	40	42	VMQ(SILICON)	VC1SLB2SS040-VMQ
50	52	50	55	VMQ(SILICON)	VC1SLB2SS050-VMQ

ISO-KF Seal Reducer Inner Centering



- Various types of O-ring seals are available.
- Consider O-ring temperature ranges.
- Consider O-ring temperature ranges (See Properties of Elastomer Materials Table on Page 14)

Dimensions



Aluminium EN AW-6082/3.2315

- Temperature Range: -196 to 150 C°

Size (DN)	A (mm)	B (mm)	J (mm)	O-ring	Order No
10/16	17	12	18	FKM	VC1SLC1AL016-FKM
20/25	26	22	28	FKM	VC1SLC1AL025-FKM
32/40	41	34	42	FKM	VC1SLC1AL040-FKM
10/16	17	12	18	CR	VC1SLC1AL016-CR
20/25	26	22	28	CR	VC1SLC1AL025-CR
32/40	41	34	42	CR	VC1SLC1AL040-CR
10/16	17	12	18	NBR	VC1SLC1AL016-NBR
20/25	26	22	28	NBR	VC1SLC1AL025-NBR
32/40	41	34	42	NBR	VC1SLC1AL040-NBR
10/16	17	12	18	EPDM	VC1SLC1AL016-EPDM
20/25	26	22	28	EPDM	VC1SLC1AL025-EPDM
32/40	41	34	43	EPDM	VC1SLC1AL040-EPDM
10/16	17	12	18	VMQ(SILICON)	VC1SLC1AL016-VMQ
20/25	26	22	28	VMQ(SILICON)	VC1SLC1AL025-VMQ
32/40	41	34	42	VMQ(SILICON)	VC1SLC1AL040-VMQ

PTFE

- Temperature Range: -15 to 150 C°

Size (DN)	A (mm)	B (mm)	J (mm)	O-ring	Order No
10/16	17	12	18	FKM	VC1SLC1PL016-FKM
20/25	26	22	28	FKM	VC1SLC1PL025-FKM
32/40	41	34	43	FKM	VC1SLC1PL040-FKM

Stainless Steel 304/1.4301

- Temperature range: -196 to 300 °C

Size (DN)	A (mm)	B (mm)	J (mm)	O-ring	Order No
10/16	17	12	18	FKM	VC1SLC1SS016-FKM
20/25	26	22	28	FKM	VC1SLC1SS025-FKM
32/40	41	34	42	FKM	VC1SLC1SS040-FKM
10/16	17	12	18	CR	VC1SLC1SS016-CR
20/25	26	22	28	CR	VC1SLC1SS025-CR
32/40	41	34	42	CR	VC1SLC1SS040-CR
10/16	17	12	18	NBR	VC1SLC1SS016-NBR
20/25	26	22	28	NBR	VC1SLC1SS025-NBR
32/40	41	34	42	NBR	VC1SLC1SS040-NBR
10/16	17	12	18	EPDM	VC1SLC1SS016-EPDM
20/25	26	22	28	EPDM	VC1SLC1SS025-EPDM
32/40	41	34	42	EPDM	VC1SLC1SS040-EPDM
10/16	17	12	18	VMQ(SILICON)	VC1SLC1SS016-VMQ
20/25	26	22	28	VMQ(SILICON)	VC1SLC1SS025-VMQ
32/40	41	34	43	VMQ(SILICON)	VC1SLC1SS040-VMQ

Stainless Steel 316L/1.4404

- Temperature range: -196 to 350 °C

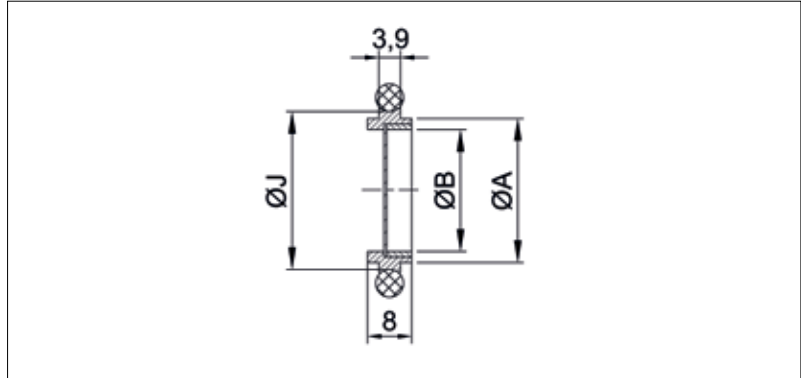
Size (DN)	A (mm)	B (mm)	J (mm)	O-ring	Order No
10/16	17	12	18	FKM	VC1SLC2SS016-FKM
20/25	26	22	28	FKM	VC1SLC2SS025-FKM
32/40	41	34	42	FKM	VC1SLC2SS040-FKM
10/16	17	12	18	CR	VC1SLC2SS016-CR
20/25	26	22	28	CR	VC1SLC2SS025-CR
32/40	41	34	42	CR	VC1SLC2SS040-CR
10/16	17	12	18	NBR	VC1SLC2SS016-NBR
20/25	26	22	28	NBR	VC1SLC2SS025-NBR
32/40	41	34	42	NBR	VC1SLC2SS040-NBR
10/16	17	12	18	EPDM	VC1SLC2SS016-EPDM
20/25	26	22	28	EPDM	VC1SLC2SS025-EPDM
32/40	41	34	42	EPDM	VC1SLC2SS040-EPDM
10/16	17	12	18	VMQ(SILICON)	VC1SLC2SS016-VMQ
20/25	26	22	28	VMQ(SILICON)	VC1SLC2SS025-VMQ
32/40	41	34	43	VMQ(SILICON)	VC1SLC2SS040-VMQ

ISO-KF Seal Inner Centered with Mesh Screen



- Various types of O-ring seals are available.
- Filter Material: Stainless Steel
- Wire thickness: Approximately 0.3 mm
- Mesh: Approximately 1 mm
- Consider O-ring temperature ranges (See Properties of Elastomer Materials Table on Page 14)

Dimensions



Stainless Steel 304/1.4301

- Temperature range: -196 to 300 °C

Size (DN)	A (mm)	B (mm)	J (mm)	O-ring	Order No
10	12	8	15	FKM	VC1SLD1SS010-FKM
16	17	14	18	FKM	VC1SLD1SS016-FKM
20	22	18	24	FKM	VC1SLD1SS020-FKM
25	26	22	28	FKM	VC1SLD1SS025-FKM
32	34	30	35	FKM	VC1SLD1SS032-FKM
40	41	38	42	FKM	VC1SLD1SS040-FKM
50	52	48	55	FKM	VC1SLD1SS050-FKM
10	12	8	15	CR	VC1SLD1SS010-CR
16	17	14	18	CR	VC1SLD1SS016-CR
20	22	18	24	CR	VC1SLD1SS020-CR
25	26	22	28	CR	VC1SLD1SS025-CR
32	34	30	35	CR	VC1SLD1SS032-CR
40	41	38	42	CR	VC1SLD1SS040-CR
50	52	48	55	CR	VC1SLD1SS050-CR
10	12	8	15	NBR	VC1SLD1SS010-NBR
16	17	14	18	NBR	VC1SLD1SS016-NBR
20	22	18	24	NBR	VC1SLD1SS020-NBR
25	26	22	28	NBR	VC1SLD1SS025-NBR
32	34	30	35	NBR	VC1SLD1SS032-NBR
40	41	38	42	NBR	VC1SLD1SS040-NBR
50	52	48	55	NBR	VC1SLD1SS050-NBR
10	12	8	15	EPDM	VC1SLD1SS010-EPDM
16	17	14	18	EPDM	VC1SLD1SS016-EPDM
20	22	18	24	EPDM	VC1SLD1SS020-EPDM
25	26	22	28	EPDM	VC1SLD1SS025-EPDM
32	34	30	35	EPDM	VC1SLD1SS032-EPDM
40	41	38	42	EPDM	VC1SLD1SS040-EPDM
50	52	48	55	EPDM	VC1SLD1SS050-EPDM

Size (DN)	A (mm)	B (mm)	J (mm)	O-ring	Order No
10	12	8	15	VMQ(SILICON)	VC1SLD1SS010-VMQ
16	17	14	18	VMQ(SILICON)	VC1SLD1SS016-VMQ
20	22	18	24	VMQ(SILICON)	VC1SLD1SS020-VMQ
25	26	22	28	VMQ(SILICON)	VC1SLD1SS025-VMQ
32	34	30	35	VMQ(SILICON)	VC1SLD1SS032-VMQ
40	41	38	42	VMQ(SILICON)	VC1SLD1SS040-VMQ
50	52	48	55	VMQ(SILICON)	VC1SLD1SS050-VMQ

Stainless Steel 316L/1.4404

- Temperature range: -196 to 350 °C

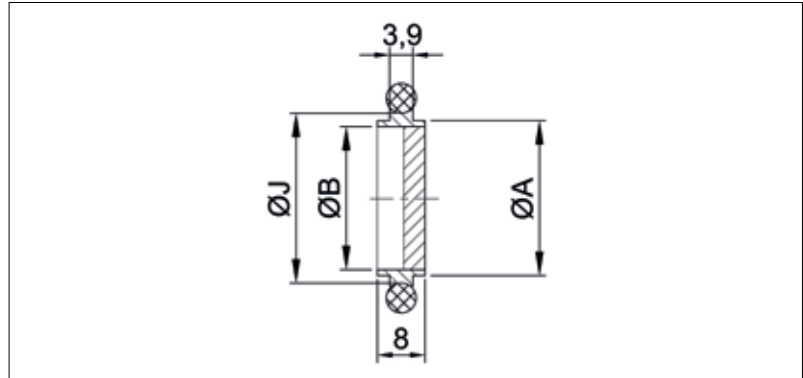
Size (DN)	A (mm)	B (mm)	J (mm)	O-ring	Order No
10	12	8	15	FKM	VC1SLD2SS010-FKM
16	17	14	18	FKM	VC1SLD2SS016-FKM
20	22	18	24	FKM	VC1SLD2SS020-FKM
25	26	22	28	FKM	VC1SLD2SS025-FKM
32	34	30	35	FKM	VC1SLD2SS032-FKM
40	41	38	42	FKM	VC1SLD2SS040-FKM
50	52	48	55	FKM	VC1SLD2SS050-FKM
10	12	8	15	CR	VC1SLD2SS010-CR
16	17	14	18	CR	VC1SLD2SS016-CR
20	22	18	24	CR	VC1SLD2SS020-CR
25	26	22	28	CR	VC1SLD2SS025-CR
32	34	30	35	CR	VC1SLD2SS032-CR
40	41	38	42	CR	VC1SLD2SS040-CR
50	52	48	55	CR	VC1SLD2SS050-CR
10	12	8	15	NBR	VC1SLD2SS010-NBR
16	17	14	18	NBR	VC1SLD2SS016-NBR
20	22	18	24	NBR	VC1SLD2SS020-NBR
25	26	22	28	NBR	VC1SLD2SS025-NBR
32	34	30	35	NBR	VC1SLD2SS032-NBR
40	41	38	42	NBR	VC1SLD2SS040-NBR
50	52	48	55	NBR	VC1SLD2SS050-NBR
10	12	8	15	EPDM	VC1SLD2SS010-EPDM
16	17	14	18	EPDM	VC1SLD2SS016-EPDM
20	22	18	24	EPDM	VC1SLD2SS020-EPDM
25	26	22	28	EPDM	VC1SLD2SS025-EPDM
32	34	30	35	EPDM	VC1SLD2SS032-EPDM
40	41	38	42	EPDM	VC1SLD2SS040-EPDM
50	52	48	55	EPDM	VC1SLD2SS050-EPDM
10	12	8	15	VMQ(SILICON)	VC1SLD2SS010-VMQ
16	17	14	18	VMQ(SILICON)	VC1SLD2SS016-VMQ
20	22	18	24	VMQ(SILICON)	VC1SLD2SS020-VMQ
25	26	22	28	VMQ(SILICON)	VC1SLD2SS025-VMQ
32	34	30	35	VMQ(SILICON)	VC1SLD2SS032-VMQ
40	41	38	42	VMQ(SILICON)	VC1SLD2SS040-VMQ
50	52	48	55	VMQ(SILICON)	VC1SLD2SS050-VMQ

ISO-KF Seal Inner Centered With Sintered Metal Filter



- Various types of O-ring seals are available
- Material: Sintered Bronze
- Pore size approximately 0.02 mm
- Consider O-ring temperature ranges (See Properties of Elastomer Materials Table on Page 14)

Dimensions



Stainless Steel 316L/1.4404

- Temperature range: -196 to 350 °C

Size (DN)	A (mm)	B (mm)	J (mm)	O-ring	Order No
10	12	8	15	FKM	VC1SLE1SS010-FKM
16	17	14	18	FKM	VC1SLE1SS016-FKM
20	22	18	24	FKM	VC1SLE1SS020-FKM
25	26	22	28	FKM	VC1SLE1SS025-FKM
32	34	30	35	FKM	VC1SLE1SS032-FKM
40	41	38	42	FKM	VC1SLE1SS040-FKM
50	52	48	55	FKM	VC1SLE1SS050-FKM
10	12	8	15	CR	VC1SLE1SS010-CR
16	17	14	18	CR	VC1SLE1SS016-CR
20	22	18	24	CR	VC1SLE1SS020-CR
25	26	22	28	CR	VC1SLE1SS025-CR
32	34	30	35	CR	VC1SLE1SS032-CR
40	41	38	42	CR	VC1SLE1SS040-CR
50	52	48	55	CR	VC1SLE1SS050-CR
10	12	8	15	NBR	VC1SLE1SS010-NBR
16	17	14	18	NBR	VC1SLE1SS016-NBR
20	22	18	24	NBR	VC1SLE1SS020-NBR
25	26	22	28	NBR	VC1SLE1SS025-NBR
32	34	30	35	NBR	VC1SLE1SS032-NBR
40	41	38	42	NBR	VC1SLE1SS040-NBR
50	52	48	55	NBR	VC1SLE1SS050-NBR
10	12	8	15	EPDM	VC1SLE1SS010-EPDM
16	17	14	18	EPDM	VC1SLE1SS016-EPDM
20	22	18	24	EPDM	VC1SLE1SS020-EPDM
25	26	22	28	EPDM	VC1SLE1SS025-EPDM
32	34	30	35	EPDM	VC1SLE1SS032-EPDM
40	41	38	42	EPDM	VC1SLE1SS040-EPDM
50	52	48	55	EPDM	VC1SLE1SS050-EPDM

Size (DN)	A (mm)	B (mm)	J (mm)	O-ring	Order No
10	12	8	15	VMQ(SILICON)	VC1SLE1SS010-VMQ
16	17	14	18	VMQ(SILICON)	VC1SLE1SS016-VMQ
20	22	18	24	VMQ(SILICON)	VC1SLE1SS020-VMQ
25	26	22	28	VMQ(SILICON)	VC1SLE1SS025-VMQ
32	34	30	35	VMQ(SILICON)	VC1SLE1SS032-VMQ
40	41	38	42	VMQ(SILICON)	VC1SLE1SS040-VMQ
50	52	48	55	VMQ(SILICON)	VC1SLE1SS050-VMQ

Stainless Steel 316L/1.4404

- Temperature range: -196 to 350 °C

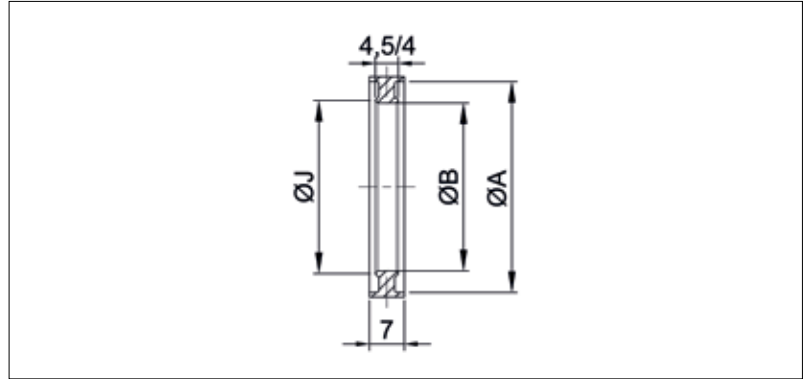
Size (DN)	A (mm)	B (mm)	J (mm)	O-ring	Order No
10	12	8	15	FKM	VC1SLE2SS010-FKM
16	17	14	18	FKM	VC1SLE2SS016-FKM
20	22	18	24	FKM	VC1SLE2SS020-FKM
25	26	22	28	FKM	VC1SLE2SS025-FKM
32	34	30	35	FKM	VC1SLE2SS032-FKM
40	41	38	42	FKM	VC1SLE2SS040-FKM
50	52	48	55	FKM	VC1SLE2SS050-FKM
10	12	8	15	CR	VC1SLE2SS010-CR
16	17	14	18	CR	VC1SLE2SS016-CR
20	22	18	24	CR	VC1SLE2SS020-CR
25	26	22	28	CR	VC1SLE2SS025-CR
32	34	30	35	CR	VC1SLE2SS032-CR
40	41	38	42	CR	VC1SLE2SS040-CR
50	52	48	55	CR	VC1SLE2SS050-CR
10	12	8	15	NBR	VC1SLE2SS010-NBR
16	17	14	18	NBR	VC1SLE2SS016-NBR
20	22	18	24	NBR	VC1SLE2SS020-NBR
25	26	22	28	NBR	VC1SLE2SS025-NBR
32	34	30	35	NBR	VC1SLE2SS032-NBR
40	41	38	42	NBR	VC1SLE2SS040-NBR
50	52	48	55	NBR	VC1SLE2SS050-NBR
10	12	8	15	EPDM	VC1SLE2SS010-EPDM
16	17	14	18	EPDM	VC1SLE2SS016-EPDM
20	22	18	24	EPDM	VC1SLE2SS020-EPDM
25	26	22	28	EPDM	VC1SLE2SS025-EPDM
32	34	30	35	EPDM	VC1SLE2SS032-EPDM
40	41	38	42	EPDM	VC1SLE2SS040-EPDM
50	52	48	55	EPDM	VC1SLE2SS050-EPDM
10	12	8	15	VMQ(SILICON)	VC1SLE2SS010-VMQ
16	17	14	18	VMQ(SILICON)	VC1SLE2SS016-VMQ
20	22	18	24	VMQ(SILICON)	VC1SLE2SS020-VMQ
25	26	22	28	VMQ(SILICON)	VC1SLE2SS025-VMQ
32	34	30	35	VMQ(SILICON)	VC1SLE2SS032-VMQ
40	41	38	42	VMQ(SILICON)	VC1SLE2SS040-VMQ
50	52	48	55	VMQ(SILICON)	VC1SLE2SS050-VMQ

ISO-KF Edge Seal Outer Centered



- No gas permeation
- Cryo, radiation tolerant and nuclear application
- Clean room application compatible
- For stainless steel flanges
- Fastener: ISO-KF Clamp for metal seals
- For single use only

Dimensions



Aluminium EN AW-1050

- Temperature Range: -196 to 150 C°

Size (DN)	A (mm)	B (mm)	J (mm)	Order No
10/16	30	20	23	VC1SLF2AL016
20/25	40	32	33	VC1SLF2AL025
32/40	55	45	48	VC1SLF2AL040
50	75	65	68	VC1SLF2AL050

Copper

- Temperature Range: -196 to 200 C°

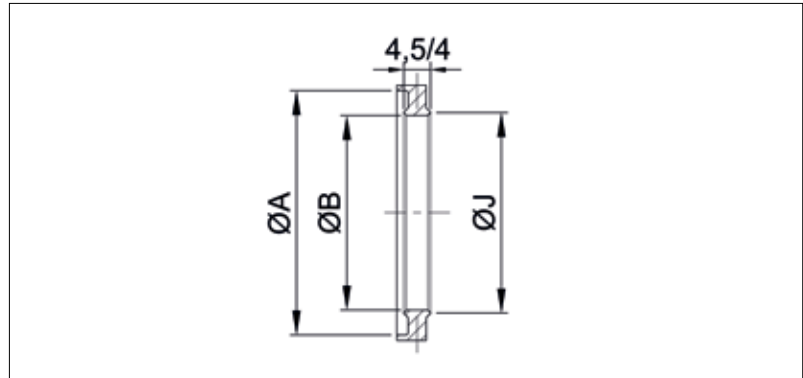
Size (DN)	A (mm)	B (mm)	J (mm)	Order No
10/16	30	20	23	VC1SLF1CU016
20/25	40	32	33	VC1SLF1CU025
32/40	55	45	48	VC1SLF1CU040
50	75	65	68	VC1SLF1CU050

ISO-KF Edge Seal One-Side Outer Centered



- No gas permeation
- Cryo, radiation tolerant and nuclear application
- Clean room application compatible
- For stainless steel flanges
- Fastener: ISO-KF Clamp for metal seals
- For single use only

Dimensions



Aluminium EN AW-1050

- Temperature Range: -196 to 150 C°

Size (DN)	A (mm)	B (mm)	J (mm)	Order No
10/16	30	20	23	VC1SLG2AL016
20/25	40	32	33	VC1SLG2AL025
32/40	55	45	48	VC1SLG2AL040
50	75	65	68	VC1SLG2AL050

Copper

- Temperature Range: -196 to 200 C°

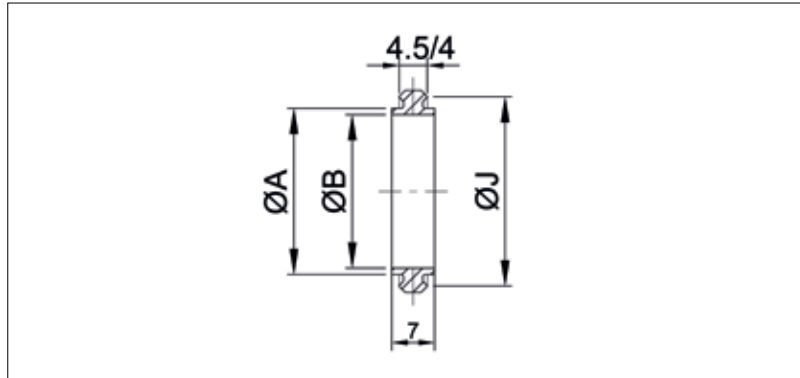
Size (DN)	A (mm)	B (mm)	J (mm)	Order No
10/16	30	20	23	VC1SLG1CU016
20/25	40	32	33	VC1SLG1CU025
32/40	55	45	48	VC1SLG1CU040
50	75	65	68	VC1SLG1CU050

ISO-KF Edge Seal Inner Centered



- No gas permeation
- Cryo, radiation tolerant and nuclear application
- Clean room application compatible
- For stainless steel flanges
- Fastener: ISO-KF Clamp for metal seals
- For single use only

Dimensions



Aluminium EN AW-1050

- Temperature Range: -196 to 150 C°

Size (DN)	A (mm)	B (mm)	J (mm)	Order No
10	12	10	18	VC1SLH2AL010
16	17	15	21	VC1SLH2AL016
20	22	20	27	VC1SLH2AL020
25	26	24	30	VC1SLH2AL025
32	34	32	38	VC1SLH2AL032
40	41	39	47	VC1SLH2AL040
50	52	50	59	VC1SLH2AL050

Copper

- Temperature Range: -196 to 200 C°

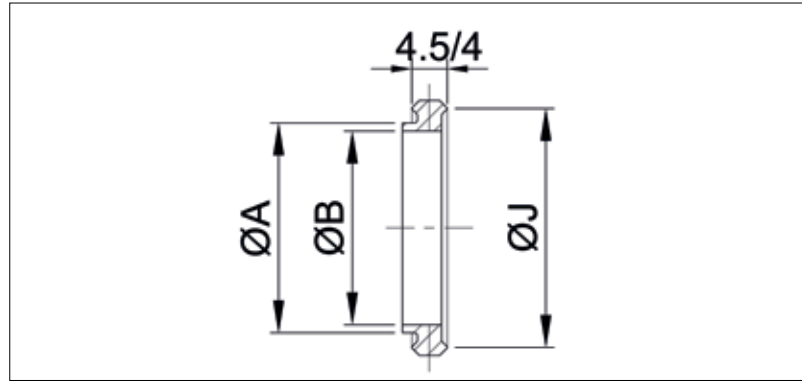
Size (DN)	A (mm)	B (mm)	J (mm)	Order No
10	12	10	18	VC1SLH1CU010
16	17	15	21	VC1SLH1CU016
20	22	20	27	VC1SLH1CU020
25	26	24	30	VC1SLH1CU025
32	34	32	38	VC1SLH1CU032
40	41	39	47	VC1SLH1CU040
50	52	50	59	VC1SLH1CU050

ISO-KF Edge Seal One-Side Inner Centered



- No gas permeation
- Cryo, radiation tolerant and nuclear application
- Clean room application compatible
- For stainless steel flanges
- Fastener: ISO-KF Clamp for metal seals
- For single use only

Dimensions



Aluminium EN AW-1050

- Temperature Range: -196 to 150 C°

Size (DN)	A (mm)	B (mm)	J (mm)	Order No
10	12	10	18	VC1SLI2AL010
16	17	15	21	VC1SLI2AL016
20	22	20	27	VC1SLI2AL020
25	26	24	30	VC1SLI2AL025
32	34	32	38	VC1SLI2AL032
40	41	39	47	VC1SLI2AL040
50	52	50	59	VC1SLI2AL050

Copper

- Temperature Range: -196 to 200 C°

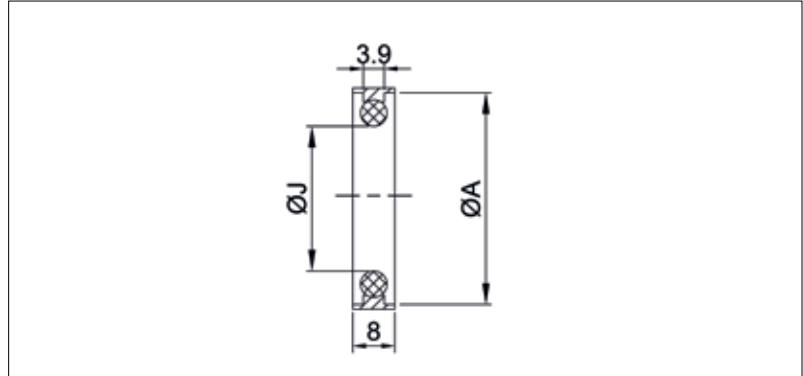
Size (DN)	A (mm)	B (mm)	J (mm)	Order No
10	12	10	18	VC1SLI1CU010
16	17	15	21	VC1SLI1CU016
20	22	20	27	VC1SLI1CU020
25	26	24	30	VC1SLI1CU025
32	34	32	38	VC1SLI1CU032
40	41	39	47	VC1SLI1CU040
50	52	50	59	VC1SLI1CU050

ISO-KF Seal Outer Centering Without Support



- Consider O-ring temperature ranges (See Properties of Elastomer Materials Table on Page 14)
- Various types of O-ring seals are available.

Dimensions



Aluminium EN AW-6082/3.2315

- Temperature Range: -196 to 150 C°

Size (DN)	A (mm)	J (mm)	O-ring	Order No
10/16	30	23	FKM	VC1SLR1AL016-FKM
20/25	40	33	FKM	VC1SLR1AL025-FKM
32/40	55	48	FKM	VC1SLR1AL040-FKM
50	75	59	FKM	VC1SLR1AL050-FKM
10/16	30	23	CR	VC1SLR1AL016-CR
20/25	40	33	CR	VC1SLR1AL025-CR
32/40	55	48	CR	VC1SLR1AL040-CR
50	75	59	CR	VC1SLR1AL050-CR
10/16	30	23	NBR	VC1SLR1AL016-NBR
20/25	40	33	NBR	VC1SLR1AL025-NBR
32/40	55	48	NBR	VC1SLR1AL040-NBR
50	75	59	NBR	VC1SLR1AL050-NBR
10/16	30	23	EPDM	VC1SLR1AL016-EPDM
20/25	40	33	EPDM	VC1SLR1AL025-EPDM
32/40	55	48	EPDM	VC1SLR1AL040-EPDM
50	75	59	EPDM	VC1SLR1AL050-EPDM
10/16	30	23	VMQ(SILICON)	VC1SLR1AL016-VMQ
20/25	40	33	VMQ(SILICON)	VC1SLR1AL025-VMQ
32/40	55	48	VMQ(SILICON)	VC1SLR1AL040-VMQ
50	75	59	VMQ(SILICON)	VC1SLR1AL050-VMQ

PTFE

- Temperature Range: -15 to 150 C°

Size (DN)	A (mm)	J (mm)	O-ring	Order No
10/16	30	23	FKM	VC1SLR1PL016-FKM
20/25	40	33	FKM	VC1SLR1PL025-FKM
32/40	55	48	FKM	VC1SLR1PL040-FKM
50	75	59	FKM	VC1SLR1PL050-FKM

Stainless Steel 304/1.4301

- Temperature range: -196 to 300 °C

Size (DN)	A (mm)	J (mm)	O-ring	Order No
10/16	30	23	FKM	VC1SLR1SS016-FKM
20/25	40	33	FKM	VC1SLR1SS025-FKM
32/40	55	48	FKM	VC1SLR1SS040-FKM
50	75	59	FKM	VC1SLR1SS050-FKM
10/16	30	23	CR	VC1SLR1SS016-CR
20/25	40	33	CR	VC1SLR1SS025-CR
32/40	55	48	CR	VC1SLR1SS040-CR
50	75	59	CR	VC1SLR1SS050-CR
10/16	30	23	NBR	VC1SLR1SS016-NBR
20/25	40	33	NBR	VC1SLR1SS025-NBR
32/40	55	48	NBR	VC1SLR1SS040-NBR
50	75	59	NBR	VC1SLR1SS050-NBR
10/16	30	23	EPDM	VC1SLR1SS016-EPDM
20/25	40	33	EPDM	VC1SLR1SS025-EPDM
32/40	55	48	EPDM	VC1SLR1SS040-EPDM
50	75	59	EPDM	VC1SLR1SS050-EPDM
10/16	30	23	VMQ(SILICON)	VC1SLR1SS016-VMQ
20/25	40	33	VMQ(SILICON)	VC1SLR1SS025-VMQ
32/40	55	48	VMQ(SILICON)	VC1SLR1SS040-VMQ
50	75	59	VMQ(SILICON)	VC1SLR1SS050-VMQ

Stainless Steel 316L/1.4404

- Temperature range: -196 to 350 °C

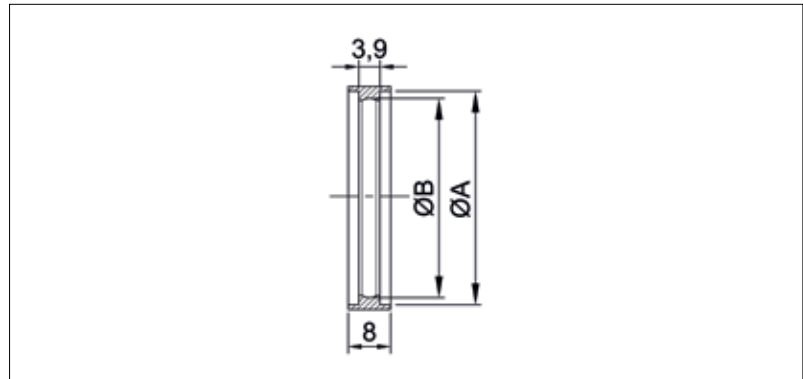
Size (DN)	A (mm)	J (mm)	O-ring	Order No
10/16	30	23	FKM	VC1SLR2SS016-FKM
20/25	40	33	FKM	VC1SLR2SS025-FKM
32/40	55	48	FKM	VC1SLR2SS040-FKM
50	75	59	FKM	VC1SLR2SS050-FKM
10/16	30	23	CR	VC1SLR2SS016-CR
20/25	40	33	CR	VC1SLR2SS025-CR
32/40	55	48	CR	VC1SLR2SS040-CR
50	75	59	CR	VC1SLR2SS050-CR
10/16	30	23	NBR	VC1SLR2SS016-NBR
20/25	40	33	NBR	VC1SLR2SS025-NBR
32/40	55	48	NBR	VC1SLR2SS040-NBR
50	75	59	NBR	VC1SLR2SS050-NBR
10/16	30	23	EPDM	VC1SLR2SS016-EPDM
20/25	40	33	EPDM	VC1SLR2SS025-EPDM
32/40	55	48	EPDM	VC1SLR2SS040-EPDM
50	75	59	EPDM	VC1SLR2SS050-EPDM
10/16	30	23	VMQ(SILICON)	VC1SLR2SS016-VMQ
20/25	40	33	VMQ(SILICON)	VC1SLR2SS025-VMQ
32/40	55	48	VMQ(SILICON)	VC1SLR2SS040-VMQ
50	75	59	VMQ(SILICON)	VC1SLR2SS050-VMQ

ISO-KF Outer Centering Outer Ring

- Various types of O-ring seals are available.



Dimensions



Aluminium EN AW-6082/3.2315

- Temperature Range: -196 to 150 C°

Size (DN)	A (mm)	B (mm)	Order No
10/16	30	28	VC1SLK1AL016
20/25	40	38	VC1SLK1AL025
32/40	55	53	VC1SLK1AL040
50	75	64	VC1SLK1AL050

Stainless Steel 304/1.4301

- Temperature range: -196 to 300 °C

Size (DN)	A (mm)	B (mm)	Order No
10/16	30	28	VC1SLK1SS016
20/25	40	38	VC1SLK1SS025
32/40	55	53	VC1SLK1SS040
50	75	64	VC1SLK1SS050

Stainless Steel 316L/1.4404

- Temperature range: -196 to 350 °C

Size (DN)	A (mm)	B (mm)	Order No
10/16	30	28	VC1SLK2SS016
20/25	40	38	VC1SLK2SS025
32/40	55	53	VC1SLK2SS040
50	75	64	VC1SLK2SS050

PTFE

- Temperature Range: -15 to 150 C°

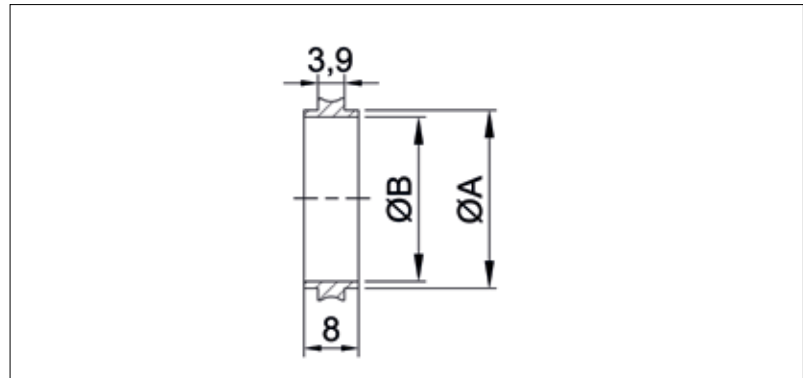
Size (DN)	A (mm)	B (mm)	Order No
10/16	30	28	VC1SLK1PL016
20/25	40	38	VC1SLK1PL025
32/40	55	53	VC1SLK1PL040
50	75	64	VC1SLK1PL050

ISO-KF Inner Centered Inner Ring

- Various types of O-ring seals are available.



Dimensions



Aluminium EN AW-6082/3.2315

- Temperature Range: -196 to 150 C°

Size (DN)	A (mm)	B (mm)	Order No
10	12	10	VC1SLM1AL010
16	17	16	VC1SLM1AL016
20	22	20	VC1SLM1AL020
25	26	24	VC1SLM1AL025
32	34	32	VC1SLM1AL032
40	41	40	VC1SLM1AL040
50	52	50	VC1SLM1AL050

Stainless Steel 304/1.4301

- Temperature range: -196 to 300 °C

Size (DN)	A (mm)	B (mm)	Order No
10	12	10	VC1SLM1SS010
16	17	16	VC1SLM1SS016
20	22	20	VC1SLM1SS020
25	26	24	VC1SLM1SS025
32	34	32	VC1SLM1SS032
40	41	40	VC1SLM1SS040
50	52	50	VC1SLM1SS050

Stainless Steel 316L/1.4404

• Temperature range: -196 to 350 °C

Size (DN)	A (mm)	B (mm)	Order No
10	12	10	VC1SLM2SS010
16	17	16	VC1SLM2SS016
20	22	20	VC1SLM2SS020
25	26	24	VC1SLM2SS025
32	34	32	VC1SLM2SS032
40	41	40	VC1SLM2SS040
50	52	50	VC1SLM2SS050

PTFE

• Temperature Range: -15 to 150 C°

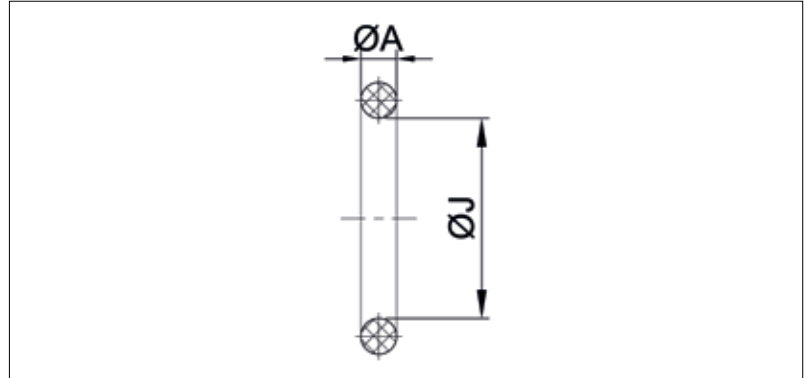
Size (DN)	A (mm)	B (mm)	Order No
10	12	10	VC1SLM1PL010
16	17	16	VC1SLM1PL016
20	22	20	VC1SLM1PL020
25	26	24	VC1SLM1PL025
32	34	32	VC1SLM1PL032
40	41	40	VC1SLM1PL040
50	52	50	VC1SLM1PL050

ISO-KF O-ring

- Various types of O-ring seals are available.



Dimensions



FKM

- Temperature range: -15 to 200 °C

Size (DN)	J (mm)	ØA(mm)	Order No
10	15	5	VCA07A1EL010
16	18	5	VCA07A1EL016
20	24	5	VCA07A1EL020
25	28	5	VCA07A1EL025
32	35	5	VCA07A1EL032
40	42	5	VCA07A1EL040
50	55	5	VCA07A1EL050

CR

- Temperature range: -40 to 100 °C

Size (DN)	J (mm)	ØA(mm)	Order No
10	15	5	VCA07A2EL010
16	18	5	VCA07A2EL016
20	24	5	VCA07A2EL020
25	28	5	VCA07A2EL025
32	35	5	VCA07A2EL032
40	42	5	VCA07A2EL040
50	55	5	VCA07A2EL050

NBR

- Temperature range: -25 to 120 °C

Size (DN)	J (mm)	ØA(mm)	Order No
10	15	5	VCA07A3EL010
16	18	5	VCA07A3EL016
20	24	5	VCA07A3EL020
25	28	5	VCA07A3EL025
32	35	5	VCA07A3EL032
40	42	5	VCA07A3EL040
50	55	5	VCA07A3EL050

EPDM

- Temperature range: -25 to 120 °C

Size (DN)	J (mm)	ØA(mm)	Order No (EPDM)
10	15	5	VCA07A4EL010
16	18	5	VCA07A4EL016
20	24	5	VCA07A4EL020
25	28	5	VCA07A4EL025
32	35	5	VCA07A4EL032
40	42	5	VCA07A4EL040
50	55	5	VCA07A4EL050

VMQ SILICON

- Temperature range: -25 to 120 °C

Size (DN)	J (mm)	ØA(mm)	Order No
10	15	5	VCA07A5EL010
16	18	5	VCA07A5EL016
20	24	5	VCA07A5EL020
25	28	5	VCA07A5EL025
32	35	5	VCA07A5EL032
40	42	5	VCA07A5EL040
50	55	5	VCA07A5EL050

ISO-KF Clamps

This part consists of KF Clamps.
Check out this section for products NW10-NW50.

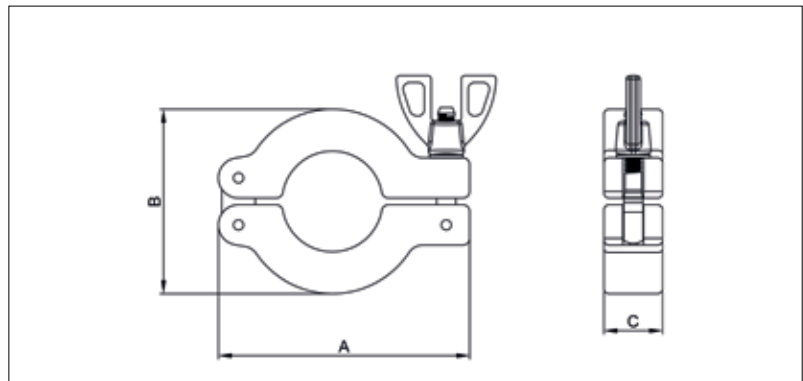


ISO-KF Wingnut CNC Machined Clamp



- Nominal diameters 10 to 50 mm
 - For High Vacuum (HV) Applications
 - For inner and outer center rings
 - Hinged, two-part device
 - Cnc machined clamp
 - For extra rigid strength and durable
 - Quick assembly and removal.
 - Stainless steel bolt and wingnut
- Pressure Range Elastomer seal: 10^{-7} mbar to 1.5 bar

Dimensions



Aluminium EN AW-6082/T-6 (Uncoated - For general use)

- Temperature Range: -196 to 150 °C

Size (DN)	A (mm)	B (mm)	C (mm)	Order No
10/16	65	45	17,5	VC1CLA1AL016-A
20/25	75	55	17,5	VC1CLA1AL025-A
32/40	95	72	17,5	VC1CLA1AL040-A
50	115	95	22	VC1CLA1AL050-A

Natural Anodized

- For frequently opened and closed connections
- Low surface friction
- High corrosion resistance
- High wear resistance
- Dielectric property

Size (DN)	A (mm)	B (mm)	C (mm)	Order No
10/16	65	45	17,5	VC1CLA1AL016-B
20/25	75	55	17,5	VC1CLA1AL025-B
32/40	95	72	17,5	VC1CLA1AL040-B
50	115	95	22	VC1CLA1AL050-B

PTFE Plated

- Used with aluminium KF vacuum equipment
- Low surface friction
- High corrosion resistance
- Non stick
- Advanced release feature
- High resistance to chemicals
- Dielectric property

Size (DN)	A (mm)	B (mm)	C (mm)	Order No
10/16	65	45	17,5	VC1CLA1AL016-C
20/25	75	55	17,5	VC1CLA1AL025-C
32/40	95	72	17,5	VC1CLA1AL040-C
50	115	95	22	VC1CLA1AL050-C

Nickel Plated

- High corrosion resistance
- High wear resistance
- View of a glossy surface

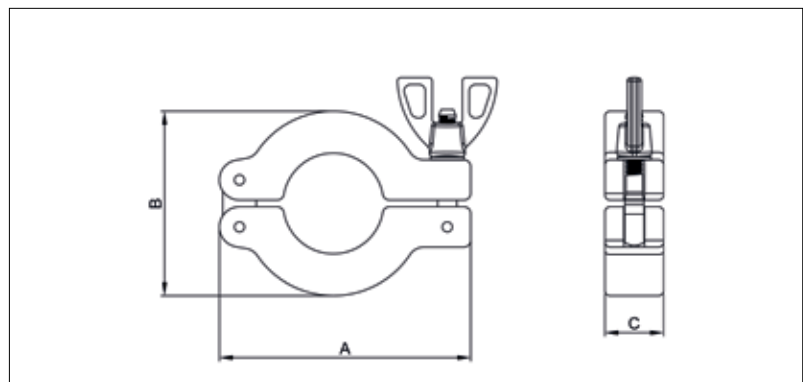
Size (DN)	A (mm)	B (mm)	C (mm)	Order No
10/16	65	45	17,5	VC1CLA1AL016-D
20/25	75	55	17,5	VC1CLA1AL025-D
32/40	95	72	17,5	VC1CLA1AL040-D
50	115	95	22	VC1CLA1AL050-D

ISO-KF Wingnut Casting Clamp



- For High Vacuum (HV) Applications
- For inner and outer center rings
- Die casting aluminium clamp
- Hinged, two-part device
- Quick assembly and removal
- Stainless steel bolt and wingnut
- Material
Stainless Steel (AISI 304/1.4301, AISI 316L/1.4404)
- Pressure Range Elastomer seal: 10^{-7} mbar to 2.5 bar
Metal seal: 10^{-9} mbar to 2.5 bar
- Temperature Range Aluminium: -196 to 150 °C
- Pressure Range Elastomer seal: 10^{-7} mbar to 1.5 bar

Dimensions



Uncoated

Aluminium EN AC-47100

Size (DN)	A (mm)	B (mm)	C (mm)	Order No
10/16	62	45	17	VC1CLD3AL016
20/25	72	55	17	VC1CLD3AL025
32/40	92	70	17	VC1CLD3AL040
50	112	90	22	VC1CLD3AL050

Stainless Steel 304/1.4301

SS304/1.4301: -196 to 300 °C

Size (DN)	A (mm)	B (mm)	C (mm)	Order No
10/16	60	42	16	VC1CLD1SS016
20/25	70	50	16	VC1CLD1SS025
32/40	90	66,5	16	VC1CLD1SS040
50	115	90	19	VC1CLD1SS050

Stainless Steel 316L/1.4404

SS316L/1.4404: -196 to 350 °C

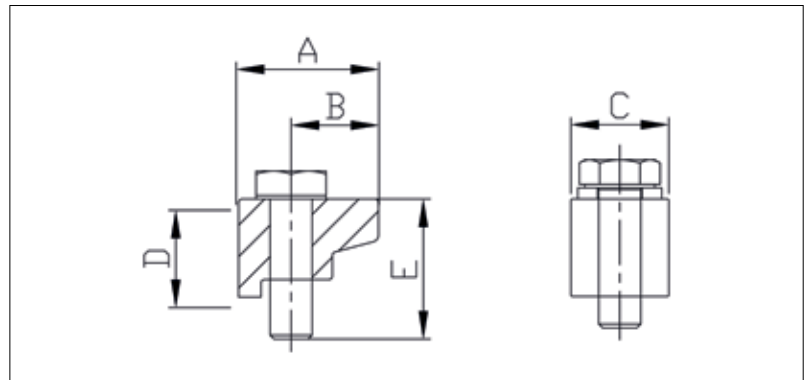
Size (DN)	A (mm)	B (mm)	C (mm)	Order No
10/16	60	42	16	VC1CLD2SS016
20/25	70	50	16	VC1CLD2SS025
32/40	90	66,5	16	VC1CLD2SS040
50	115	90	19	VC1CLD2SS050

ISO-KF Claw (Wall) Clamp



- Suitable for use with elastomer seals
- For installing on a base plate with KF centering ring
- Aluminium body, stainless steel bolt.
- Cast steel
- Short and long versions available
- Spring loaded lock-washers, single Claw Clamp for bolting KF flanges to bulkheads
- Can be used instead of bulkhead clamps
- Wide range optimised for many applications
- Holes: Needed number of tapped holes in base plate: 4x90° (Thread: M6, depth: min. 6 mm)
- Material
Aluminium (EN AW-6082 T6)
Bolt: A2-70 stainless steel (Hexagon Head, M6 x 20 mm)
- Pressure Range
Elastomer seal: 10⁻⁷ mbar to 2.5 bar
Torque max 8 Nm

Dimensions



Aluminium EN AW-6082/3.2315

- Temperature Range: -196 to 200 C°

Size (DN)	A (mm)	B (mm)	C (mm)	D (mm)	E (mm)	Order No
10/50	20	12,5	14	14	20	VC1CLF3AL050

Stainless Steel 304/1.4301

- Temperature range: -196 to 300 °C

Size (DN)	A (mm)	B (mm)	C (mm)	D (mm)	E (mm)	Order No
10/50	20	12,5	14	14	20	VC1CLF1SS050

Stainless Steel 316L/1.4404

- Temperature range: -196 to 350 °C

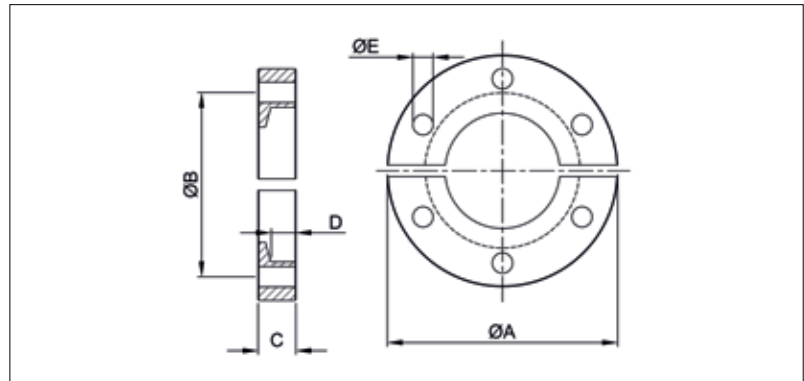
Size (DN)	A (mm)	B (mm)	C (mm)	D (mm)	E (mm)	Order No
10/50	20	12,5	14	14	20	VC1CLF2SS050

ISO-KF Bulkhead Clamp



- For installing on a base plate with KF centering ring
- Holes: Needed number of tapped holes in base plate: 4x90° (Thread: M5, depth: min. 6 mm)
- Provides simple and secure baseplate connection
- Stainless Steel bolts and washers included
- Suitable for use with elastomer seals
- For mounting on a base plate with KF centered ring
- Material Aluminium (EN AW-6082 T6) Bolt: A2-70 stainless steel DIN933 (Hexagon Head, M5 x 20 mm, Silver Plated)
- Pressure Range Elastomer seal: 10⁻⁷ mbar to 2.5 bar

Dimensions



Aluminium EN AW-6082/3.2315

- Temperature Range: -196 to 150 °C

Size (DN)	A (mm)	B (mm)	C (mm)	D (mm)	E (mm)	Order No
10/16	50,8	38,1	9,2	6,5	5,3	VC1CLG1AL016
20/25	60,3	48	9,9	6,6	5,3	VC1CLG1AL025
32/40	74,6	62	9,3	6,6	5,3	VC1CLG1AL040
50	94,9	82,6	10,4	6,5	5,3	VC1CLG1AL050

ISO-KF Chain Clamp



- Quick opening and closing of clamp
- Suitable for use with elastomer and metallic seals
- Hand grip: Stainless steel
- Especially for UHV applications
- Cryo applications
- Aluminium

Links constructed of pressure die-cast Aluminium alloy

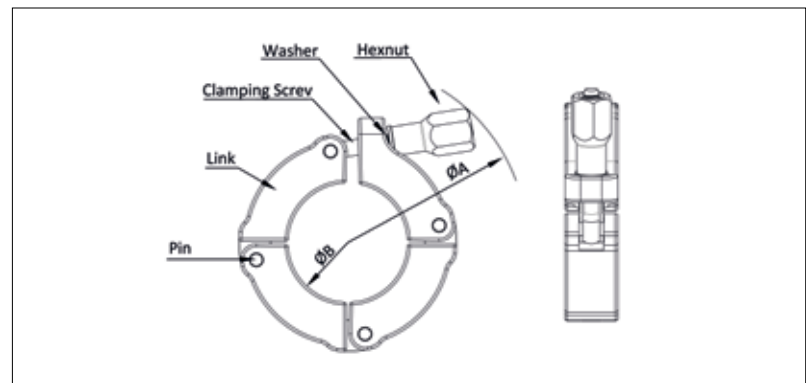
Over pressure max.: 500 mbar

- Stainless Steel

Food and Beverage applications

Pressure range: $1 \cdot 10^{-11}$ hPa to 300 bar over pressure (metal seal)

Dimensions



Aluminium EN AC-4710

- Temperature Range: -196 to 200 °C

Size (DN)	A (mm)	B (mm)	Torque (Nm) (Alu)	Torque (Nm) (Copper)	Torque (Nm)(Nickel)	Links	Order No
10/16	95	21	2	3.5	6	3	VC1CLH3AL016
20/25	120	30	2.5	5	8	4	VC1CLH3AL025
32/40	135	45	3	6	10	4	VC1CLH3AL040
50	150	60	4,5	8.5	12	5	VC1CLH3AL050

Stainless Steel 304/1.4301

- Temperature range: -196 to 300 °C

Size (DN)	A (mm)	B (mm)	Torque (Nm) (Alu)	Torque (Nm) (Copper)	Torque (Nm) (Nickel)	Links	Order No
10/16	95	21	2	3.5	6	3	VC1CLH1SS016
20/25	120	30	2.5	5	8	4	VC1CLH1SS025
32/40	135	45	3	6	10	4	VC1CLH1SS040
50	150	60	4,5	8.5	12	5	VC1CLH1SS050

Stainless Steel 316L/1.4404

- Temperature range: -196 to 350 °C

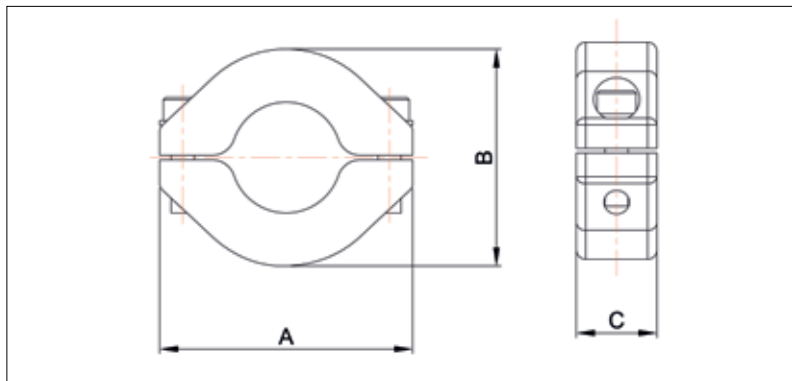
Size (DN)	A (mm)	B (mm)	Torque (Nm) (Alu)	Torque (Nm) (Copper)	Torque (Nm) (Nickel)	Links	Order No
10/16	95	21	2	3.5	6	3	VC1CLH2SS016
20/25	120	30	2.5	5	8	4	VC1CLH2SS025
32/40	135	45	3	6	10	4	VC1CLH2SS040
50	150	60	4,5	8.5	12	5	VC1CLH2SS050

ISO-KF Bolt Clamp (2-Part)



- Suitable for use with elastomer and metal seals
- Bolts: Hexagon socket, A2-70 steel
- Recommended using a screw thread lubricant
- Over pressure max.: 500 mbar

Dimensions



Stainless Steel 304/1.4301

- Temperature range: -196 to 300 °C

Size (DN)	A (mm)	B (mm)	C (mm)	Bolt	Order No
10/16	55	47	18	M5 x 25	VC1CLI1SS016
20/25	66	57	18	M5 x 25	VC1CLI1SS025
32/40	82	72	18	M5 x 25	VC1CLI1SS040
50	122	96	21	M5 x 25	VC1CLI1SS050

Stainless Steel 316L/1.4404

- Temperature range: -196 to 350 °C

Size (DN)	A (mm)	B (mm)	C (mm)	Bolt	Order No
10/16	55	47	18	M5 x 25	VC1 CLI2SS016
20/25	66	57	18	M5 x 25	VC1CLI2SS025
32/40	82	72	18	M5 x 25	VC1CLI2SS040
50	122	96	21	M5 x 25	VC1CLI2SS050

ISO-KF Fittings

This part consists of KF Fittings.
Check out this section for products NW10-NW50.



ISO-KF Straight Reducer



- Aluminium EN AW-6082 T6/3.2315

Pressure range: $1 \cdot 10^{-8}$ mbar to 500 mbar over pressure

- Stainless Steel 304/1.4301

Pressure range: $1 \cdot 10^{-8}$ mbar to 500 mbar over pressure (elastomer seal)

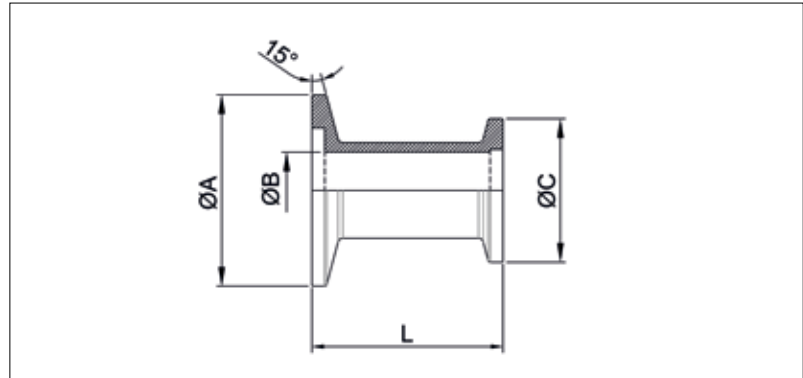
$1 \cdot 10^{-9}$ mbar to 500 mbar over pressure (metal seal)

- Stainless Steel 316L/1.4404

Pressure range: $1 \cdot 10^{-8}$ mbar to 500 mbar over pressure (elastomer seal)

$1 \cdot 10^{-9}$ mbar to 500 mbar over pressure (metal seal)

Dimensions



Aluminium EN AW-6082 T6/3.2315

- Temperature Range: -196 to 150 C°

Flange Size (DN)	Reducer Flange Size (DN)	A (mm)	B (mm)	C (mm)	L	Order No
25	10	40	10	30	28	VC1FTA1AL025-010-28
25	10	40	10	30	40	VC1FTA1AL025-010-40
25	16	40	16	30	28	VC1FTA1AL025-016-28
25	16	40	16	30	40	VC1FTA1AL025-016-40
40	16	55	16	30	28	VC1FTA1AL040-016-28
40	16	55	16	30	40	VC1FTA1AL040-016-40
40	25	55	24	40	28	VC1FTA1AL040-025-28
40	25	55	24	40	40	VC1FTA1AL040-025-40
50	16	75	16	30	28	VC1FTA1AL050-016-28
50	16	75	16	30	40	VC1FTA1AL050-016-30
50	25	75	24	40	28	VC1FTA1AL050-025-30
50	25	75	24	40	40	VC1FTA1AL050-025-40
50	40	75	40	55	28	VC1FTA1AL050-040-28
50	40	75	40	55	40	VC1FTA1AL050-040-40

Stainless Steel 304/1.4301

- Temperature range: -196 to 300 °C

Flange Size (DN)	Reducer Flange Size (DN)	A (mm)	B (mm)	C (mm)	L	Order No
25	10	40	10	30	28	VC1FTA1SS025-010-28
25	10	40	10	30	40	VC1FTA1SS025-010-40
25	16	40	16	30	28	VC1FTA1SS025-016-28
25	16	40	16	30	40	VC1FTA1SS025-016-40
40	16	55	16	30	28	VC1FTA1SS040-016-28
40	16	55	16	30	40	VC1FTA1SS040-016-40
40	25	55	24	40	28	VC1FTA1SS040-025-28
40	25	55	24	40	40	VC1FTA1SS040-025-40
50	16	75	16	30	28	VC1FTA1SS050-016-28
50	16	75	16	30	40	VC1FTA1SS050-016-40
50	25	75	24	40	28	VC1FTA1SS050-025-28
50	25	75	24	40	40	VC1FTA1SS050-025-40
50	40	75	40	55	28	VC1FTA1SS050-040-28
50	40	75	40	55	40	VC1FTA1SS050-040-40

Stainless Steel 316L/1.4404

- Temperature range: -196 to 350 °C

Flange Size (DN)	Reducer Flange Size (DN)	A (mm)	B (mm)	C (mm)	L	Order No
25	10	40	10	30	28	VC1FTA2SS025-010-28
25	10	40	10	30	40	VC1FTA2SS025-010-40
25	16	40	16	30	28	VC1FTA2SS025-016-28
25	16	40	16	30	40	VC1FTA2SS025-016-40
40	16	55	16	30	28	VC1FTA2SS040-016-28
40	16	55	16	30	40	VC1FTA2SS040-016-40
40	25	55	24	40	28	VC1FTA2SS040-025-28
40	25	55	24	40	40	VC1FTA2SS040-025-40
50	16	75	16	30	28	VC1FTA2SS050-016-28
50	16	75	16	30	40	VC1FTA2SS050-016-40
50	25	75	24	40	28	VC1FTA2SS050-025-28
50	25	75	24	40	40	VC1FTA2SS050-025-40
50	40	75	40	55	28	VC1FTA2SS050-040-28
50	40	75	40	55	40	VC1FTA2SS050-040-40

ISO-KF Conical Reducer



- Stainless Steel 304/1.4301

Pressure range: $1 \cdot 10^{-8}$ mbar to 500 mbar over pressure (elastomer seal)

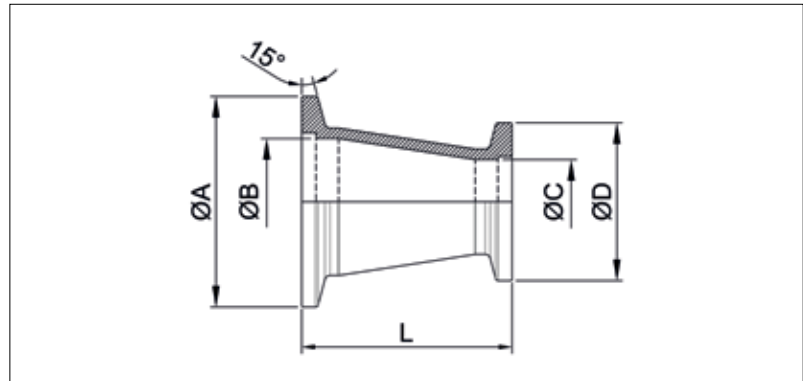
$1 \cdot 10^{-9}$ mbar to 500 mbar over pressure (metal seal)

- Stainless Steel 316L/1.4404

Pressure range: $1 \cdot 10^{-8}$ mbar to 500 mbar over pressure (elastomer seal)

$1 \cdot 10^{-9}$ mbar to 500 mbar over pressure (metal seal)

Dimensions



Stainless Steel 304/1.4301

- Temperature range: -196 to 300 °C

Flange Size (DN)	Reducer Flange Size (DN)	A (mm)	B (mm)	C (mm)	D (mm)	L (mm)	Order No
25	16	40	24	16	30	28	VC1FTB1SS025-016-28
25	16	40	24	16	30	40	VC1FTB1SS025-016-40
40	16	55	24	16	30	28	VC1FTB1SS040-016-28
40	16	55	24	16	30	40	VC1FTB1SS040-016-40
40	25	55	40	24	40	28	VC1FTB1SS040-025-28
40	25	55	40	24	40	40	VC1FTB1SS040-025-40
50	16	75	50	16	30	40	VC1FTB1SS050-016-40
50	25	75	50	24	40	28	VC1FTB1SS050-025-28
50	25	75	50	24	28	40	VC1FTB1SS050-025-40
50	40	75	50	40	55	28	VC1FTB1SS050-040-28
50	40	75	50	40	55	40	VC1FTB1SS050-040-40

Stainless Steel 316L/1.4404

- Temperature range: -196 to 350 °C

Flange Size (DN)	Reducer Flange Size (DN)	A (mm)	B (mm)	C (mm)	D (mm)	L (mm)	Order No
25	16	40	24	16	30	28	VC1FTB2SS025-016-28
25	16	40	24	16	30	40	VC1FTB2SS025-016-40
40	16	55	24	16	30	28	VC1FTB2SS040-016-28
40	16	55	24	16	30	40	VC1FTB2SS040-016-40
40	25	55	40	24	40	28	VC1FTB2SS040-025-28
40	25	55	40	24	40	40	VC1FTB2SS040-025-40
50	16	75	50	16	30	40	VC1FTB2SS050-016-40
50	25	75	50	24	40	28	VC1FTB2SS050-025-28
50	25	75	50	24	28	40	VC1FTB2SS050-025-40
50	40	75	50	40	55	28	VC1FTB2SS050-040-28
50	40	75	50	40	55	40	VC1FTB2SS050-040-40

ISO-KF Tee



- Stainless Steel 304/1.4301

Pressure range: $1 \cdot 10^{-8}$ mbar to 500 mbar over pressure (elastomer seal)

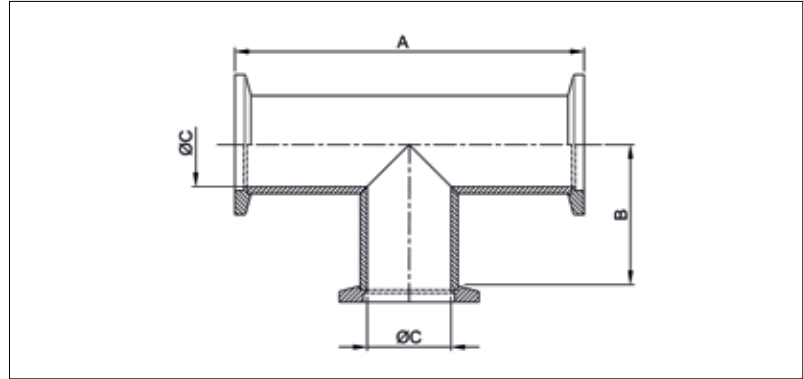
$1 \cdot 10^{-9}$ mbar to 500 mbar over pressure (metal seal)

- Stainless Steel 316L/1.4404

Pressure range: $1 \cdot 10^{-8}$ mbar to 1,5 bar over pressure (elastomer seal)

$1 \cdot 10^{-9}$ mbar to 1,5 bar over pressure (metal seal)

Dimensions



Stainless Steel 304/1.4301

- Temperature range: -196 to 300 °C

Size (DN)	A (mm)	B (mm)	C (mm)	Order No
10	60	30	10	VC1FTC1SS010-59
16	80	40	16	VC1FTC1SS016-77
25	100	50	24	VC1FTC1SS025-107
40	130	65	40,5	VC1FTC1SS040-127
50	140	70	50	VC1FTC1SS050-147

Stainless Steel 316L/1.4404

- Temperature range: -196 to 350 °C

Size (DN)	A (mm)	B (mm)	C (mm)	Order No
10	60	30	10	VC1FTC2SS010-59
16	80	40	16	VC1FTC2SS016-77
25	100	50	24	VC1FTC2SS025-107
40	130	65	40,5	VC1FTC2SS040-127
50	140	70	50	VC1FTC2SS050-147

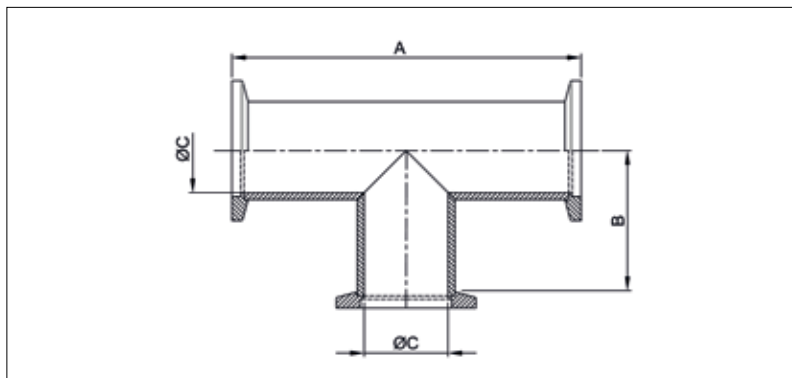
ISO-KF Tee (Forging)



• Aluminium EN AW-6082/3.2315

Pressure range: $1 \cdot 10^{-8}$ mbar to 500 mbar over pressure

Dimensions



Aluminium EN AW-6082/3.2315

• Temperature Range: -196 to 150 C°

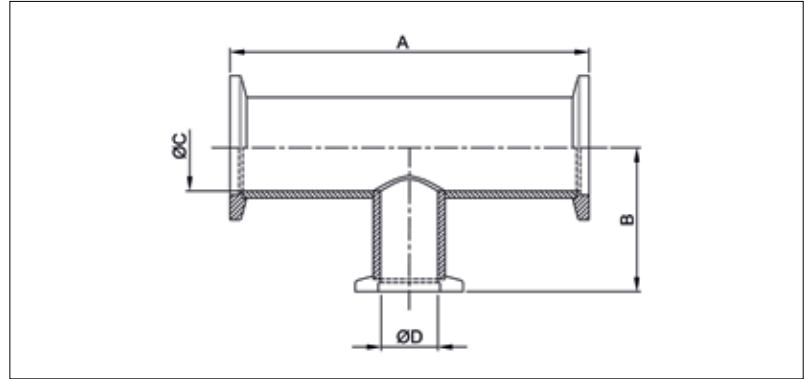
Size (DN)	A (mm)	B (mm)	C (mm)	Order No
10	60	30	10	VC1FTD1AL010-60
16	80	40	16	VC1FTD1AL016-80
25	100	50	24	VC1FTD1AL025-100
40	130	65	40,5	VC1FTD1AL040-130

ISO-KF Reducer Tee



- Stainless Steel 304/1.4301
Pressure range: $1 \cdot 10^{-8}$ mbar to 500 mbar over pressure (elastomer seal)
 $1 \cdot 10^{-9}$ mbar to 500 mbar over pressure (metal seal)
- Stainless Steel 316L/1.4404
Pressure range: $1 \cdot 10^{-8}$ mbar to 1,5 bar over pressure (elastomer seal)
 $1 \cdot 10^{-9}$ mbar to 1,5 bar over pressure (metal seal)

Dimensions



Stainless Steel 304/1.4301

- Temperature range: -196 to 300 °C

Size (DN)	Reducer Size (DN)	A (mm)	B (mm)	C (mm)	D (mm)	Order No
25	16	100	40	24	16	VC1FTF1SS025-016-100
40	16	130	40	40,5	16	VC1FTF1SS040-016-130
40	25	130	50	40,5	24	VC1FTF1SS040-025-130
50	16	140	50	50	16	VC1FTF1SS050-016-140
50	25	140	65	50	24	VC1FTF1SS050-025-140
50	40	140	65	50	40	VC1FTF1SS050-040-140

Stainless Steel 316L/1.4404

- Temperature range: -196 to 350 °C

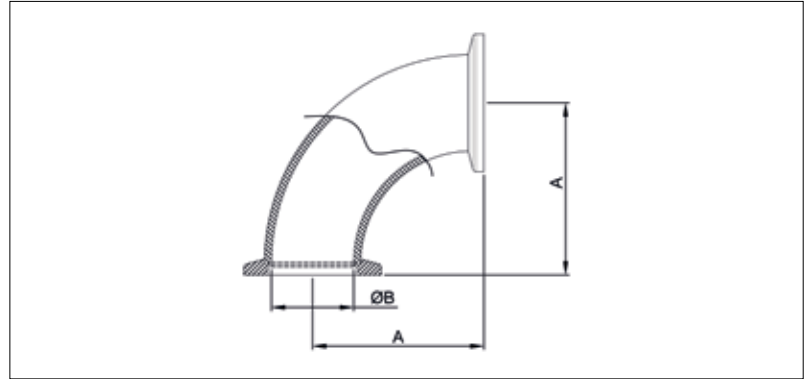
Size (DN)	Reducer Size (DN)	A (mm)	B (mm)	C (mm)	D (mm)	Order No
25	16	100	40	24	16	VC1FTF2SS025-016-100
40	16	130	40	40,5	16	VC1FTF2SS040-016-130
40	25	130	50	40,5	24	VC1FTF2SS040-025-130
50	16	140	50	50	16	VC1FTF2SS050-016-140
50	25	140	65	50	24	VC1FTF2SS050-025-140
50	40	140	65	50	40	VC1FTF2SS050-040-140

ISO-KF 90 Radius Elbow



- Stainless Steel 304/1.4301
Pressure range: $1 \cdot 10^{-8}$ mbar to 500 mbar over pressure (elastomer seal)
 $1 \cdot 10^{-9}$ mbar to 500 mbar over pressure (metal seal)
- Stainless Steel 316L/1.4404
Pressure range: $1 \cdot 10^{-8}$ mbar to 500 mbar over pressure (elastomer seal)
 $1 \cdot 10^{-9}$ mbar to 500 mbar over pressure (metal seal)

Dimensions



Stainless Steel 304/1.4301

- Temperature range: -196 to 300 °C

Size (DN)	A (mm)	B (mm)	Order No
10	23,5	10	VC1FTH1SS010-90-29
16	41,5	16	VC1FTH1SS016-90-38
25	40,5	24	VC1FTH1SS025-90-53
40	63,5	40,5	VC1FTH1SS040-90-63
50	78,5	50	VC1FTH1SS050-90-73

Stainless Steel 316L/1.4404

- Temperature range: -196 to 350 °C

Size (DN)	A (mm)	B (mm)	Order No
10	23,5	10	VC1FTH2SS010-90-29
16	41,5	16	VC1FTH2SS016-90-38
25	40,5	24	VC1FTH2SS025-90-53
40	63,5	40,5	VC1FTH2SS040-90-63
50	70	50	VC1FTH2SS050-90-73

ISO-KF 45 Radius Elbow



- Stainless Steel 304/1.4301

Pressure range: $1 \cdot 10^{-8}$ mbar to 500 mbar over pressure (elastomer seal)

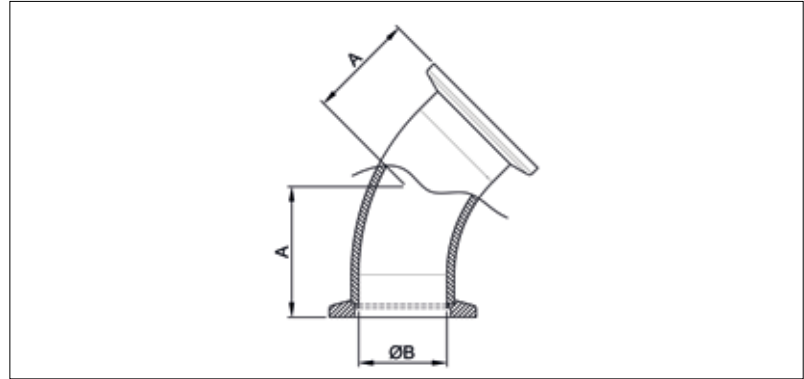
$1 \cdot 10^{-9}$ mbar to 500 mbar over pressure (metal seal)

- Stainless Steel 316L/1.4404

Pressure range: $1 \cdot 10^{-8}$ mbar to 500 mbar over pressure (elastomer seal)

$1 \cdot 10^{-9}$ mbar to 500 mbar over pressure (metal seal)

Dimensions



Stainless Steel 304/1.4301

- Temperature range: -196 to 300 °C

Size (DN)	A (mm)	B (mm)	Order No
10	30	10	VC1FTH2SS010-90-29
16	25	16	VC1FTH2SS016-90-38
25	32	24	VC1FTH2SS025-90-53
40	40	40,5	VC1FTH2SS040-90-63
50	50	50	VC1FTH2SS050-90-73

Stainless Steel 316L/1.4404

- Temperature range: -196 to 350 °C

Size (DN)	A (mm)	B (mm)	Order No
10	30	10	VC1FTI2SS010-45-30
16	25	16	VC1FTI2SS016-45-25
25	32	24	VC1FTI2SS025-45-32
40	40	40,5	VC1FTI2SS040-45-40
50	50	50	VC1FTI2SS050-45-51

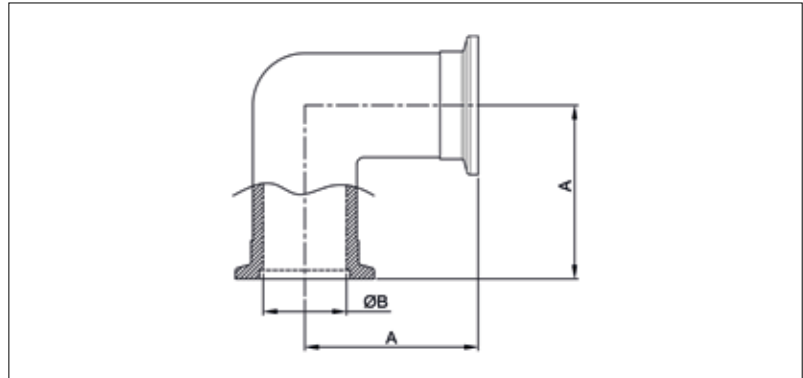
ISO-KF 90 Elbow (Forging)

Aluminium EN AW-6082 T6/3.2315

Pressure range: $1 \cdot 10^{-8}$ mbar to 500 mbar over pressure



Dimensions



Aluminium EN AW-6082 T6/3.2315

- Temperature Range: -196 to 150 C°

Size (DN)	A (mm)	B (mm)	Order No
10	30	10	VC1FTK1AL010-90-30
16	40	16	VC1FTK1AL016-90-40
25	50	24	VC1FTK1AL025-90-50
40	65	40,5	VC1FTK1AL040-90-65

ISO KF 4 Way Cross



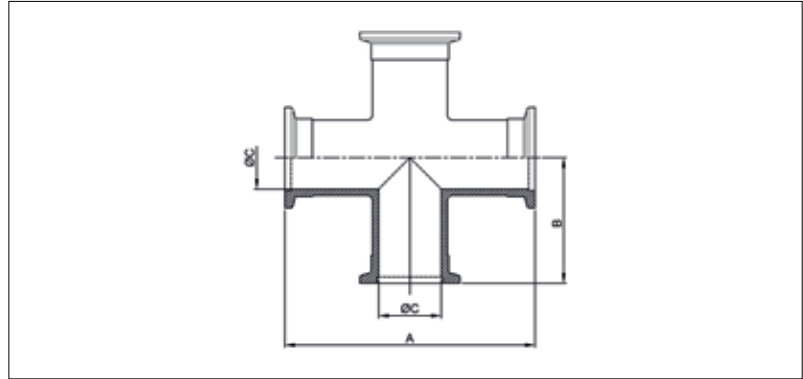
- Stainless Steel 304/1.4301

Pressure range: $1 \cdot 10^{-8}$ mbar to 500 mbar over pressure (elastomer seal)
 $1 \cdot 10^{-9}$ mbar to 500 mbar over pressure (metal seal)

- Stainless Steel 316L/1.4404

Pressure range: $1 \cdot 10^{-8}$ mbar to 500 mbar over pressure (elastomer seal)
 $1 \cdot 10^{-9}$ mbar to 500 mbar over pressure (metal seal)

Dimensions



Stainless Steel 304/1.4301

- Temperature range: -196 to 300 °C

Size (DN)	A (mm)	B (mm)	C (mm)	Order No
10	60	30	10	VC1FTN1SS010-60
16	80	40	16	VC1FTN1SS016-80
25	100	50	24	VC1FTN1SS025-100
40	130	65	40,5	VC1FTN1SS040-130
50	140	70	50	VC1FTN1SS050-140

Stainless Steel 316L/1.4404

- Temperature range: -196 to 350 °C

Size (DN)	A (mm)	B (mm)	C (mm)	Order No
10	60	30	10	VC1FTN2SS010-60
16	80	40	16	VC1FTN2SS016-80
25	100	50	24	VC1FTN2SS025-100
40	130	65	40,5	VC1FTN2SS040-130
50	140	70	50	VC1FTN2SS050-140

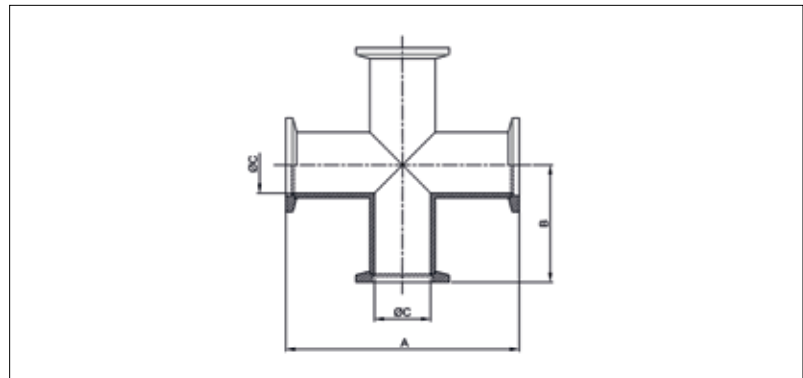
ISO KF 4 Way Cross (Forging)



• Aluminium EN AW-6082/3.2315

Pressure range: $1 \cdot 10^{-8}$ mbar to 500 mbar over pressure

Dimensions



Aluminium EN AW-6082 T6/3.2315

• Temperature Range: -196 to 150 C°

Size (DN)	A (mm)	B (mm)	C (mm)	Order No
16	80	40	16	VC1FT01AL016-80
25	100	50	24	VC1FT01AL025-100
40	130	65	40,5	VC1FT01AL040-130

ISO-KF Reducer Cross



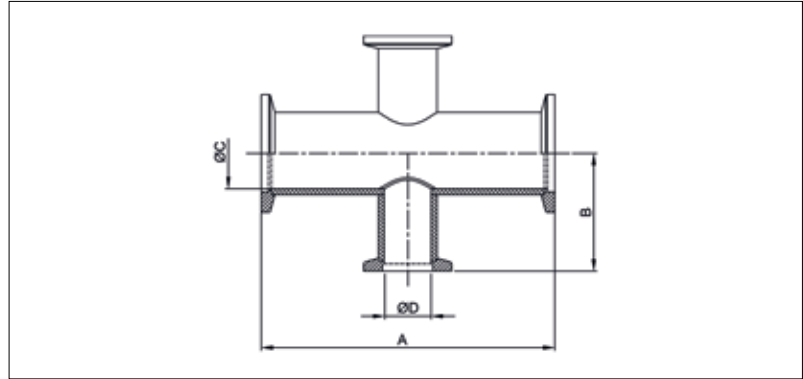
- Stainless Steel 304/1.4301

Pressure range: $1 \cdot 10^{-8}$ mbar to 500 mbar over pressure (elastomer seal)
 $1 \cdot 10^{-9}$ mbar to 500 mbar over pressure (metal seal)

- Stainless Steel 316L/1.4404

Pressure range: $1 \cdot 10^{-8}$ mbar to 500 mbar over pressure (elastomer seal)
 $1 \cdot 10^{-9}$ mbar to 500 mbar over pressure (metal seal)

Dimensions



Stainless Steel 304/1.4301

- Temperature range: -196 to 300 °C

Size (DN)	Size Reducer (DN)	A (mm)	B (mm)	C (mm)	D (mm)	Order No
25	16	100	40	24	16	VC1FTR1SS025-016-100
40	16	130	40	40,5	16	VC1FTR1SS040-016-130
40	25	130	50	40,5	24	VC1FTR1SS040-025-130
50	16	140	40	50	16	VC1FTR1SS050-016-140
50	25	140	50	50	24	VC1FTR1SS050-025-140
50	40	140	65	50	40	VC1FTR1SS050-040-140

Stainless Steel 316L/1.4404

- Temperature range: -196 to 350 °C

Size (DN)	Size Reducer (DN)	A (mm)	B (mm)	C (mm)	D (mm)	Order No
25	16	100	40	24	16	VC1FTR2SS025-016-100
40	16	130	40	40,5	16	VC1FTR2SS040-016-130
40	25	130	50	40,5	24	VC1FTR2SS040-025-130
50	16	140	40	50	16	VC1FTR2SS050-016-140
50	25	140	50	50	24	VC1FTR2SS050-025-140
50	40	140	65	50	40	VC1FTR2SS050-040-140

ISO-KF Adapters

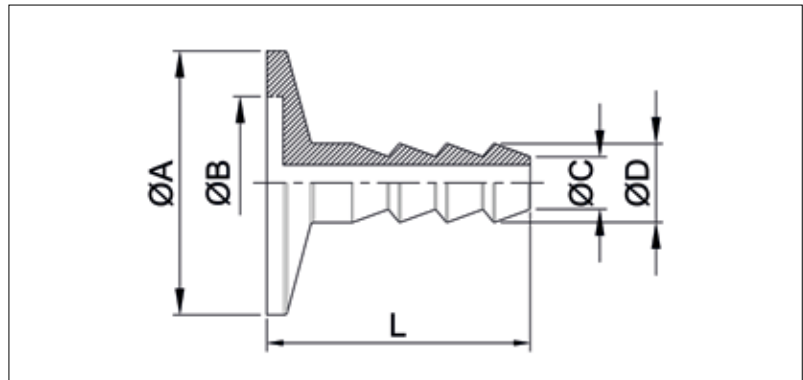
This part consists of KF Adapters.
Check out this section for products NW10-NW50



ISO KF Hose Nozzle



Dimensions



Aluminium EN AW-6082 T6/3.2315

- Temperature Range: -196 to 150 C°

Size (DN)	A (mm)	B (mm)	C (mm)	D (mm)	L (mm)	Order No
10	30	12,2	4	8	40	VC1ADA1AL010-8-40
10	30	12,2	7	12	40	VC1ADA1AL010-12-40
16	30	17,2	4	8	40	VC1ADA1AL016-8-40
16	30	17,2	7	12	40	VC1ADA1AL016-12-40
25	40	26,2	4	8	40	VC1ADA1AL025-8-40
25	40	26,2	7	12	40	VC1ADA1AL025-12-40
40	55	41,2	4	8	40	VC1ADA1AL040-8-40
40	55	41,2	7	12	40	VC1ADA1AL040-12-40
50	75	52,2	4	8	40	VC1ADA1AL050-8-40
50	75	52,2	7	12	40	VC1ADA1AL050-12-40
50	75	52,2	12	16	40	VC1ADA1AL050-16-40
50	75	52,2	16	20	40	VC1ADA1AL050-20-40
50	75	52,2	20	25	40	VC1ADA1AL050-25-40

Stainless Steel 304/1.4301

- Temperature range: -196 to 300 °C

Size (DN)	A (mm)	B (mm)	C (mm)	D (mm)	L (mm)	Order No
10	30	12,2	4	8	40	VA.05.01.02.004.001
10	30	12,2	7	12	40	VA.05.01.02.004.002
16	30	17,2	4	8	40	VA.05.01.02.004.003
16	30	17,2	7	12	40	VA.05.01.02.004.004
25	40	26,2	4	8	40	VA.05.01.02.004.005
25	40	26,2	7	12	40	VA.05.01.02.004.006
25	40	26,2	12	16	40	VA.05.01.02.004.007
40	55	41,2	4	8	40	VA.05.01.02.004.008
40	55	41,2	7	12	40	VA.05.01.02.004.009
40	55	41,2	12	16	40	VA.05.01.02.004.010
40	55	41,2	16	20	40	VA.05.01.02.004.011
50	75	52,2	4	8	40	VA.05.01.02.004.012
50	75	52,2	7	12	40	VA.05.01.02.004.013
50	75	52,2	12	16	40	VA.05.01.02.004.014
50	75	52,2	16	20	40	VA.05.01.02.004.015
50	75	52,2	20	25	40	VA.05.01.02.004.016

Stainless Steel 316L/1.4404

- Temperature range: -196 to 350 °C

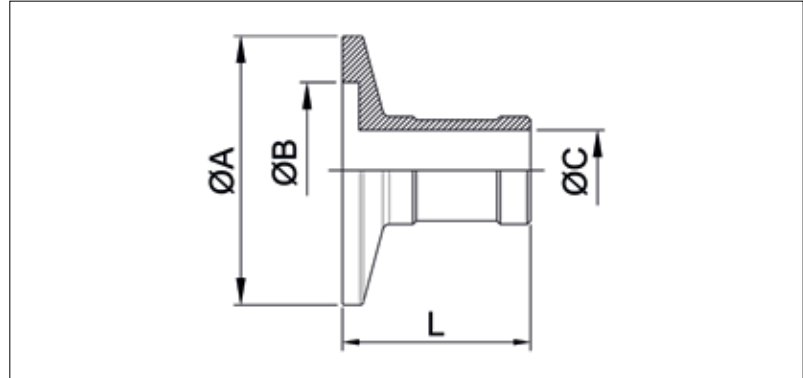
Size (DN)	A (mm)	B (mm)	C (mm)	D (mm)	L (mm)	Order No
10	30	12,2	4	8	40	VC1ADA2SS010-8-40
10	30	12,2	7	12	40	VC1ADA2SS010-12-40
16	30	17,2	4	8	40	VC1ADA2SS016-8-40
16	30	17,2	7	12	40	VC1ADA2SS016-12-40
25	40	26,2	4	8	40	VC1ADA2SS025-8-40
25	40	26,2	7	12	40	VC1ADA2SS025-12-40
25	40	26,2	12	16	40	VC1ADA2SS025-16-40
40	55	41,2	4	8	40	VC1ADA2SS040-8-40
40	55	41,2	7	12	40	VC1ADA2SS040-12-40
40	55	41,2	12	16	40	VC1ADA2SS040-16-40
40	55	41,2	16	20	40	VC1ADA2SS040-20-40
50	75	52,2	4	8	40	VC1ADA2SS050-8-40
50	75	52,2	7	12	40	VC1ADA2SS050-12-40
50	75	52,2	12	16	40	VC1ADA2SS050-16-40
50	75	52,2	16	20	40	VC1ADA2SS050-20-40
50	75	52,2	20	25	40	VC1ADA2SS050-25-40

ISO-KF Adapter for Pvc Hose



- Material: Aluminium EN AW 6082 and Stainless Steel 304/1.4301, Stainless Steel 316L/1.4404
- For connecting a PVC hose with embedded spring or a CR sleeve

Dimensions



Aluminium EN AW-6082 T6/3.2315

- Temperature Range: -196 to 150 C°

Size (DN)	A (mm)	B (mm)	C (mm)	L (mm)	Order No
10	30	12,2	9	28	VC1ADB1AL010-14-40
16	30	17,2	12	28	VC1ADB1AL016-16-28
16	30	17,2	15	40	VC1ADB1AL016-20-40
25	40	26,2	12	28	VC1ADB1AL025-16-28
25	40	26,2	21	40	VC1ADB1AL025-25-40
25	40	26,2	16	40	VC1ADB1AL025-20-40
40	55	41,2	40	40	VC1ADB1AL040-45-40
40	55	41,2	22	40	VC1ADB1AL040-26-40
40	55	41,2	37	40	VC1ADB1AL040-41-40
50	75	52,2	45	40	VC1ADB1AL050-50-60

Stainless Steel 304/1.4301

- Temperature range: -196 to 300 °C

Size (DN)	A (mm)	B (mm)	C (mm)	L (mm)	Order No
16	30	17,2	12	28	VC1ADB1SS016-16-28
25	40	26,2	16	40	VC1ADB1SS025-20-40
40	55	41,2	37	40	VC1ADB1SS040-41-40
50	75	52,2	45	40	VC1ADB1SS050-50-60

Stainless Steel 316L/1.4404

- Temperature range: -196 to 350 °C

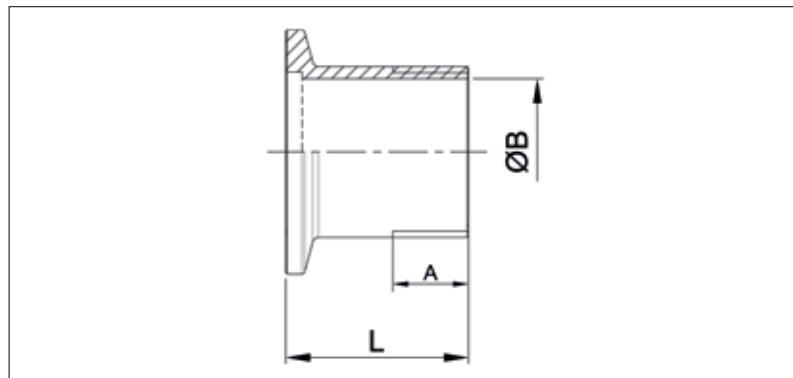
Size (DN)	A (mm)	B (mm)	C (mm)	L (mm)	Order No
16	30	17,2	12	28	VC1ADB2SS016-16-28
25	40	26,2	16	40	VC1ADB2SS025-20-40
40	55	41,2	37	40	VC1ADB2SS040-41-40
50	75	52,2	45	40	VC1ADB2SS050-50-60

ISO-KF Flange With Pipe Thread Male



- Material:
Stainless Steel 304/1.4301
Stainless Steel 316L/1.4404

Dimensions



Stainless Steel 304/1.4301

- Temperature range: -196 to 300 °C

Size (DN)	A (mm)	B (mm)	L (mm)	Thread	Order No
10	12	10	30	G3/8	VC1ADC1SS010-04-30
16	9	9	30	G1/4	VC1ADC1SS016-03-30
16	12	16	30	G1/2	VC1ADC1SS016-05-30
16			30	G3/8	VC1ADC1SS016-04-30
25	12	16	30	G1/2	VC1ADC1SS025-05-30
25	12	20	30	G3/4	VC1ADC1SS025-07-30
25	12	24	30	G1	VC1ADC1SS025-09-30
40	14	35	30	G1.25	VC1ADC1SS040-11-30
40	12	41	30	G1.5	VC1ADC1SS040-13-30
50	16	51	30	G2	VC1ADC1SS050-15-30

Stainless Steel 316L/1.4404

- Temperature range: -196 to 350 °C

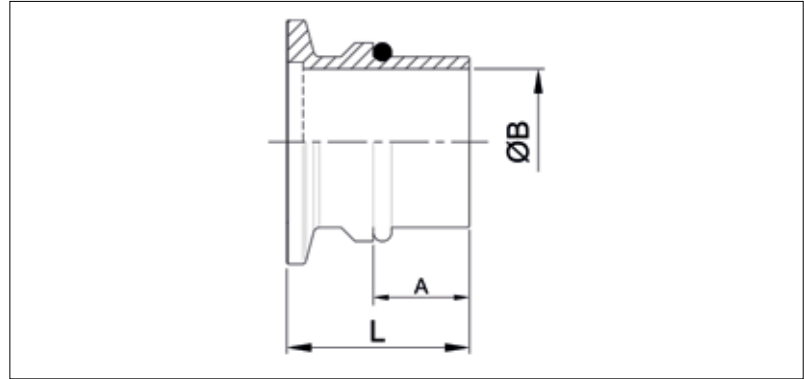
Size (DN)	A (mm)	B (mm)	L (mm)	Thread	Order No
10	12	10	30	G3/8	VC1ADC2SS010-04-30
16	9	9	30	G1/4	VC1ADC2SS016-03-30
16	12	16	30	G1/2	VC1ADC2SS016-05-30
16			30	G3/8	VC1ADC2SS016-04-30
25	12	16	30	G1/2	VC1ADC2SS025-05-30
25	12	20	30	G3/4	VC1ADC2SS025-07-30
25	12	24	30	G1	VC1ADC2SS025-09-30
40	14	35	30	G1.25	VC1ADC2SS040-11-30
40	12	41	30	G1.5	VC1ADC2SS040-13-30
50	16	51	30	G2	VC1ADC2SS050-15-30

ISO-KF Flange with Pipe Thread Male and FKM Seal



- Pipe Material:
Stainless Steel 304/1.4301
Stainless Steel 316L/1.4404
- O Ring Material: FKM
Temperature range: -15 to 150 °C (Consider O-ring temperature ranges.)
Pressure range: 10⁻⁸ hPa - 500 hPa

Dimensions



Stainless Steel 304/1.4301

- Temperature range: -196 to 300 °C

Size (DN)	A (mm)	B (mm)	L (mm)	Thread	Order No
10	16	10	35	G3/8	VC1ADD1SS010-04-35
16	16	15	35	G1/2	VC1ADD1SS016-05-35
25	24	21	45	G3/4	VC1ADD1SS025-07-45
25	24	24	45	G1	VC1ADD1SS025-09-45
40	28	40	50	G1.5	VC1ADD1SS040-13-50

Stainless Steel 316L/1.4404

- Temperature range: -196 to 350 °C

Size (DN)	A (mm)	B (mm)	L (mm)	Thread	Order No
10	16	10	35	G3/8	VC1ADD2SS010-04-35
16	16	15	35	G1/2	VC1ADD2SS016-05-35
25	24	21	45	G3/4	VC1ADD2SS025-07-45
25	24	24	45	G1	VC1ADD2SS025-09-45
40	28	40	50	G1.5	VC1ADD2SS040-13-50

ISO-KF Flange With Pipe Thread Female



- Material:

Stainless Steel 304/1.4301

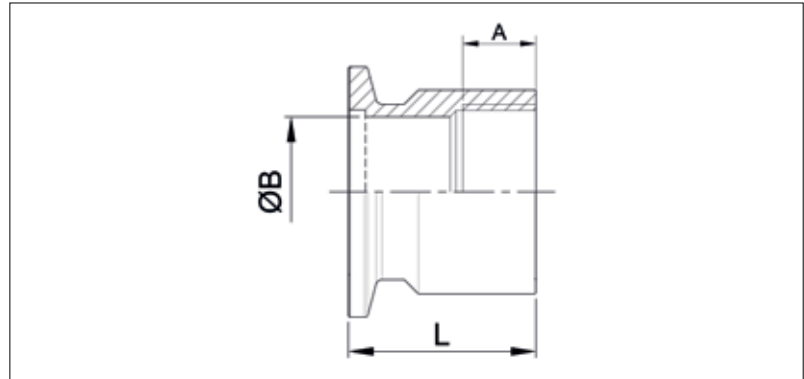
Stainless Steel 316L/1.4404

Pressure range: $1 \cdot 10^{-8}$ mbar to 500 mbar

- O Ring Material: FKM

Temperature range: -15 to 150 °C (Consider O-ring temperature ranges.)

Dimensions



Stainless Steel 304/1.4301

- Temperature range: -196 to 300 °C

Size (DN)	A (mm)	B (mm)	L (mm)	Thread	Order No
10	15	10	30	G3/8	VC1ADE1SS010-04-30
16	9	16	30	G1/2	VC1ADE1SS016-05-30
25	12	24	30	G3/4	VC1ADE1SS025-07-30
40	16	28	30	G1	VC1ADE1SS040-09-30

Stainless Steel 316L/1.4404

- Temperature range: -196 to 350 °C

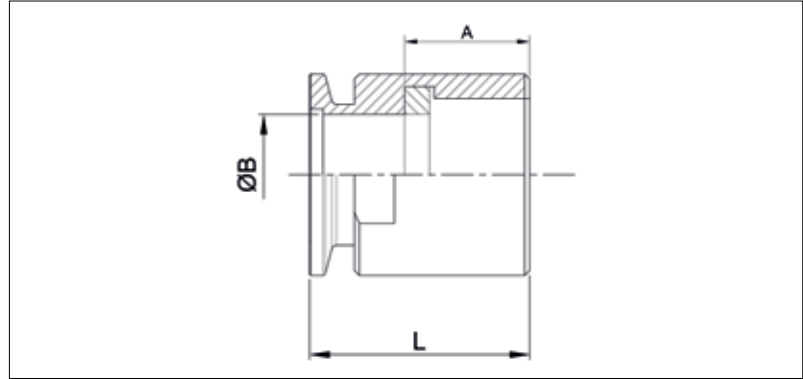
Size (DN)	A (mm)	B (mm)	L (mm)	Thread	Order No
10	15	10	30	G3/8	VC1ADE2SS010-04-30
16	9	16	30	G1/2	VC1ADE2SS016-05-30
25	12	24	30	G3/4	VC1ADE2SS025-07-30
40	16	28	30	G1	VC1ADE2SS040-09-30

ISO-KF Flange with Pipe Thread Female and FKM Seal



- Material:
Stainless Steel 304/1.4301
Stainless Steel 316L/1.4404
Pressure range: $1 \cdot 10^{-8}$ mbar to 500 mbar
- O Ring Material: FKM
Temperature range: -15 to 150 °C (Consider O-ring temperature ranges.)

Dimensions



Stainless Steel 304/1.4301

- Temperature range: -196 to 300 °C

Size (DN)	A (mm)	B (mm)	L (mm)	Thread	Order No
10	15	10	35	G3/8	VC1ADF1SS010-04-35
16	16	15	35	G1/2	VC1ADF1SS016-05-35
25	25	24	45	G1	VC1ADF1SS025-09-45
40	26	40	50	G1.5	VC1ADF1SS040-13-50

Stainless Steel 316L/1.4404

- Temperature range: -196 to 350 °C

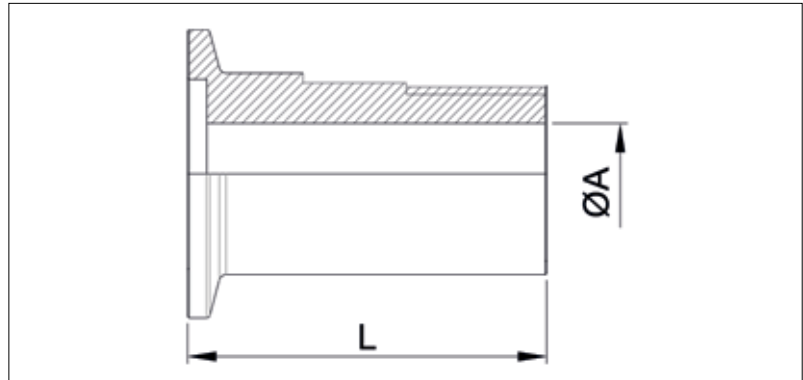
Size (DN)	A (mm)	B (mm)	L (mm)	Thread	Order No
10	15	10	35	G3/8	VC1ADF2SS010-04-35
16	16	15	35	G1/2	VC1ADF2SS016-05-35
25	25	24	45	G1	VC1ADF2SS025-09-45
40	26	40	50	G1.5	VC1ADF2SS040-13-50

ISO-KF Flange With NPT Thread Male



- Material:
Stainless Steel 304/1.4301
Stainless Steel 316L/1.4404

Dimensions



Stainless Steel 304/1.4301

- Temperature range: -196 to 300 °C

Size (DN)	A (mm)	L (mm)	Thread	Order No
16	7.1	50	NPT 1/4	VC1ADG1SS016-03-50
25	7.1	50	NPT 1/4	VC1ADG1SS025-03-50
25	11.9	75	NPT 1/2	VC1ADG1SS025-05-75

Stainless Steel 316L/1.4404

- Temperature range: -196 to 350 °C

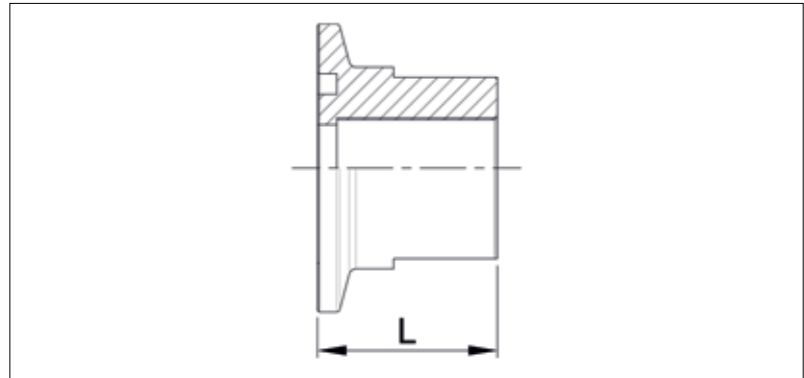
Size (DN)	A (mm)	L (mm)	Thread	Order No
16	7.1	50	NPT 1/4	VC1ADG2SS016-03-50
25	7.1	50	NPT 1/4	VC1ADG2SS025-03-50
25	11.9	75	NPT 1/2	VC1ADG2SS025-05-75

ISO-KF Flange With NPT Thread Female



- Material:
Stainless Steel 304/1.4301
Stainless Steel 316L/1.4404
Pressure range: $1 \cdot 10^{-8}$ mbar to 500 mbar
- O-ring Material: FKM
Temperature range: -15 to 150 °C (Consider O-ring temperature ranges.)

Dimensions



Stainless Steel 304/1.4301

- Temperature range: -196 to 300 °C

Size (DN)	L (mm)	Thread	Order No
16	20	NPT 1/8	VC1ADH1SS016-02-20
16	20	NPT 1/4	VC1ADH1SS016-03-20
25	20	NPT 1/8	VC1ADH1SS025-02-20
25	20	NPT 1/4	VC1ADH1SS025-03-20

Stainless Steel 316L/1.4404

- Temperature range: -196 to 350 °C

Size (DN)	L (mm)	Thread	Order No
16	20	NPT 1/8	VC1ADH2SS016-02-20
16	20	NPT 1/4	VC1ADH2SS016-03-20
25	20	NPT 1/8	VC1ADH2SS025-02-20
25	20	NPT 1/4	VC1ADH2SS025-03-20

ISO-KF 90 Elbow with Hose Adapter

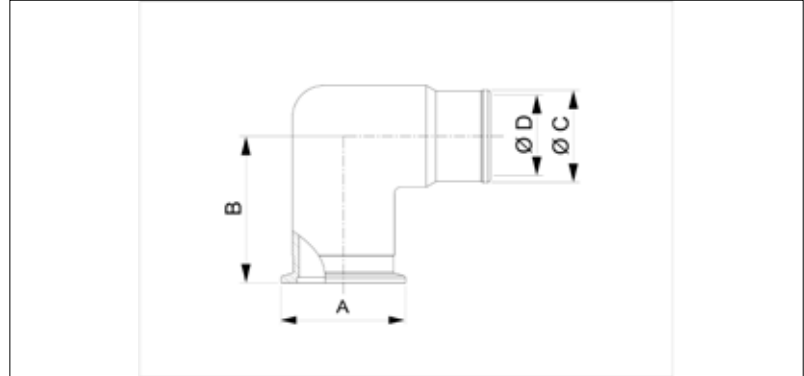


- Material:

Aluminium EN AW-6082 T6/3.2315

For connecting a PVC hose or a CR sleeve

Dimensions



Aluminium EN AW-6082 T6/3.2315

- Temperature Range: -196 to 150 C°

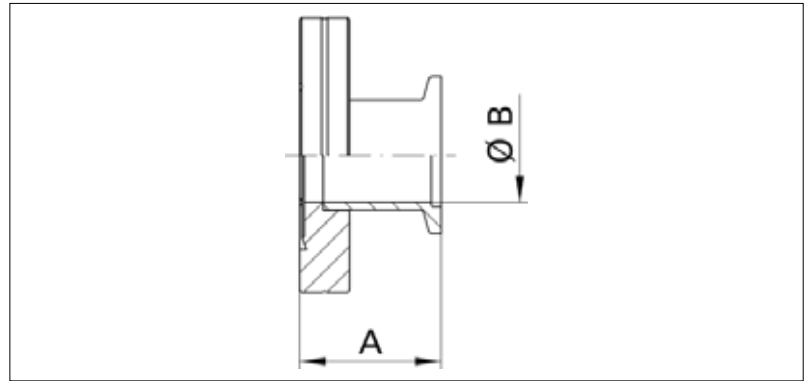
Size (DN)	A (mm)	B (mm)	C (mm)	D (mm)	Order No
16	40	40	17	13	VC1ADI1AL016-40
25	50	50	26	22	VC1ADI1AL025-50
40	65	65	41	37	VC1ADI1AL040-65

ISO-KF to CF Adapter



- Flange Materials:
Stainless Steel 304/1.4301
Stainless Steel 316L/1.4404
- Other nominal diameters and dimensions on request
- Pressure range: $1 \cdot 10^{-8}$ mbar to ambient pressure (elastomer seal);
 $1 \cdot 10^{-9}$ mbar to ambient pressure (metal seal)

Dimensions



Stainless Steel 304/1.4301

- Temperature range: -196 to 300 °C

Size (DN-CF)	Nominal diameter reduced (DN-KF)	A (mm)	B (mm)	Order No
16	16	36	16	VC1ADK1SS016-016-36
16	25	36	16	VC1ADK1SS016-025-36
16	40	36	16	VC1ADK1SS016-040-36
40	16	36	16	VC1ADK1SS040-016-36
40	25	36	24	VC1ADK1SS040-025-36
40	40	50	40.5	VC1ADK1SS040-040-50
63	40	50	40.5	VC1ADK1SS063-040-50
100	40	50	40.5	VC1ADK1SS100-040-50

Stainless Steel 316L/1.4404

- Temperature range: -196 to 350 °C

Size (DN-CF)	Nominal diameter reduced (DN-KF)	A (mm)	B (mm)	Order No
16	16	36	16	VC1ADK2SS016-016-36
16	25	36	16	VC1ADK2SS016-025-36
16	40	36	16	VC1ADK2SS016-040-36
40	16	36	16	VC1ADK2SS040-016-36
40	25	36	24	VC1ADK2SS040-025-36
40	40	50	40.5	VC1ADK2SS040-040-50
63	40	50	40.5	VC1ADK2SS063-040-50
100	40	50	40.5	VC1ADK2SS100-040-50

ISO-KF Hoses

This part consists of KF Hoses.
Check out this section for products NW10-NW50

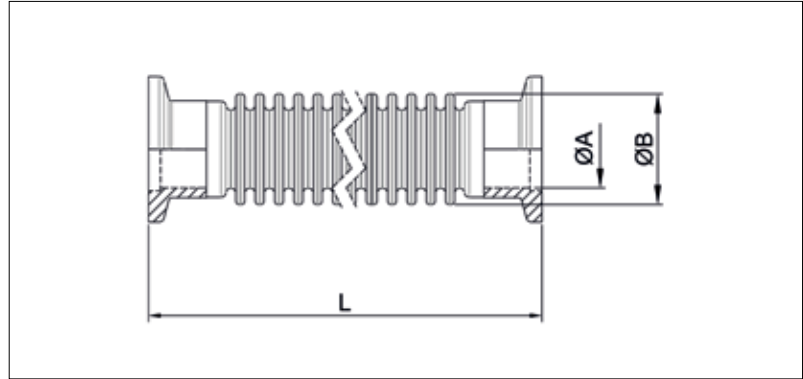


ISO-KF Flexible Hose



- Flange connection length: 15 mm
- Custom lengths on request
- Pressure range: $1 \cdot 10^{-8}$ mbar to 500 mbar
- Materials:
Stainless Steel 304/1.4301
Stainless Steel 316L/1.4404

Dimensions



Stainless Steel 304/1.4301

- Temperature range: -196 to 300 °C

Size (DN)	L (mm)	A (mm)	B (mm)	Bending radius, one-time movement [mm]	Bending radius, frequent movement [mm]	Order No
10	250	10	16	17	100	VC1HSA1SS010-250
10	500	10	16	17	100	VC1HSA1SS010-500
10	750	10	16	17	100	VC1HSA1SS010-750
10	1000	10	16	17	100	VC1HSA1SS010-1000
10	1500	10	16	17	100	VC1HSA1SS010-1500
16	250	16	23	26	140	VC1HSA1SS016-250
16	500	16	23	26	140	VC1HSA1SS016-500
16	750	16	23	26	140	VC1HSA1SS016-750
16	1000	16	23	26	140	VC1HSA1SS016-1000
16	1500	16	23	26	140	VC1HSA1SS016-1500
25	250	24	33	38	180	VC1HSA1SS025-250
25	500	24	33	38	180	VC1HSA1SS025-500
25	750	24	33	38	180	VC1HSA1SS025-750
25	1000	24	33	38	180	VC1HSA1SS025-1000
25	1500	24	33	38	180	VC1HSA1SS025-1500
40	250	40,5	52	59	240	VC1HSA1SS040-250
40	500	40,5	52	59	240	VC1HSA1SS040-500
40	750	40,5	52	59	240	VC1HSA1SS040-750
40	1000	40,5	52	59	240	VC1HSA1SS040-1000
40	1500	40,5	52	59	240	VC1HSA1SS040-1500
50	250	50	63	72	280	VC1HSA1SS050-250
50	500	50	63	72	280	VC1HSA1SS050-500
50	750	50	63	72	280	VC1HSA1SS050-750
50	1000	50	63	72	280	VC1HSA1SS050-1000
50	1500	50	63	72	280	VC1HSA1SS050-1500

Stainless Steel 316L/1.4404

• Temperature range: -196 to 350 °C

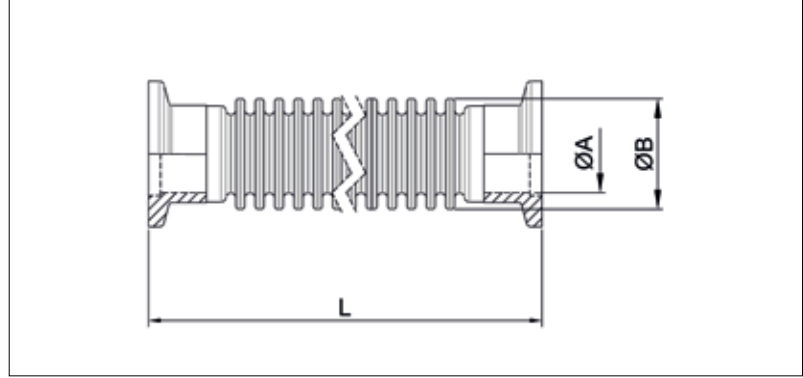
Size (DN)	L (mm)	A (mm)	B (mm)	Bending radius, one-time movement [mm]	Bending radius, frequent movement [mm]	Order No
10	250	10	16	17	100	VC1HSA2SS010-250
10	500	10	16	17	100	VC1HSA2SS010-500
10	750	10	16	17	100	VC1HSA2SS010-750
10	1000	10	16	17	100	VC1HSA2SS010-1000
10	1500	10	16	17	100	VC1HSA2SS010-1500
16	250	16	23	26	140	VC1HSA2SS016-250
16	500	16	23	26	140	VC1HSA2SS016-500
16	750	16	23	26	140	VC1HSA2SS016-750
16	1000	16	23	26	140	VC1HSA2SS016-1000
16	1500	16	23	26	140	VC1HSA2SS016-1500
25	250	24	33	38	180	VC1HSA2SS025-250
25	500	24	33	38	180	VC1HSA2SS025-500
25	750	24	33	38	180	VC1HSA2SS025-750
25	1000	24	33	38	180	VC1HSA2SS025-1000
25	1500	24	33	38	180	VC1HSA2SS025-1500
40	250	40,5	52	59	240	VC1HSA2SS040-250
40	500	40,5	52	59	240	VC1HSA2SS040-500
40	750	40,5	52	59	240	VC1HSA2SS040-750
40	1000	40,5	52	59	240	VC1HSA2SS040-1000
40	1500	40,5	52	59	240	VC1HSA2SS040-1500
50	250	50	63	72	280	VC1HSA2SS050-250
50	500	50	63	72	280	VC1HSA2SS050-500
50	750	50	63	72	280	VC1HSA2SS050-750
50	1000	50	63	72	280	VC1HSA2SS050-1000
50	1500	50	63	72	280	VC1HSA2SS050-1500

ISO-KF Flexible Hose Thin Wall



- Flange connection length: 15 mm
- Custom lengths on request
- Pressure range: $1 \cdot 10^{-8}$ mbar to 500 mbar
- Materials:
Stainless Steel 304/1.4301
Stainless Steel 316L/1.4404

Dimensions



Stainless Steel 304/1.4301

- Temperature range: -196 to 300 °C

Size (DN)	L (mm)	A (mm)	B (mm)	Bend radius, unique movement (mm)	Bend radius, often movement (mm)	Order No
16	250	16	26	26	105	VC1HSB1SS016-250
16	500	16	26	26	105	VC1HSB1SS016-500
16	750	16	26	26	105	VC1HSB1SS016-750
16	1000	16	26	26	105	VC1HSB1SS016-1000
16	1500	16	26	26	105	VC1HSB1SS016-1500
25	250	24	37	38	135	VC1HSB1SS025-250
25	500	24	37	38	135	VC1HSB1SS025-500
25	750	24	37	38	135	VC1HSB1SS025-750
25	1000	24	37	38	135	VC1HSB1SS025-1000
25	1500	24	37	38	135	VC1HSB1SS025-1500
40	250	40,5	56	59	180	VC1HSB1SS040-250
40	500	40,5	56	59	180	VC1HSB1SS040-500
40	750	40,5	56	59	180	VC1HSB1SS040-750
40	1000	40,5	56	59	180	VC1HSB1SS040-1000
40	1500	40,5	56	59	180	VC1HSB1SS040-1500
50	250	50	67	72	210	VC1HSB1SS050-250
50	500	50	67	72	210	VC1HSB1SS050-500
50	750	50	67	72	210	VC1HSB1SS050-750
50	1000	50	67	72	210	VC1HSB1SS050-1000
50	1500	50	67	72	210	VC1HSB1SS050-1500

Stainless Steel 316L/1.4404

- Temperature range: -196 to 350 °C

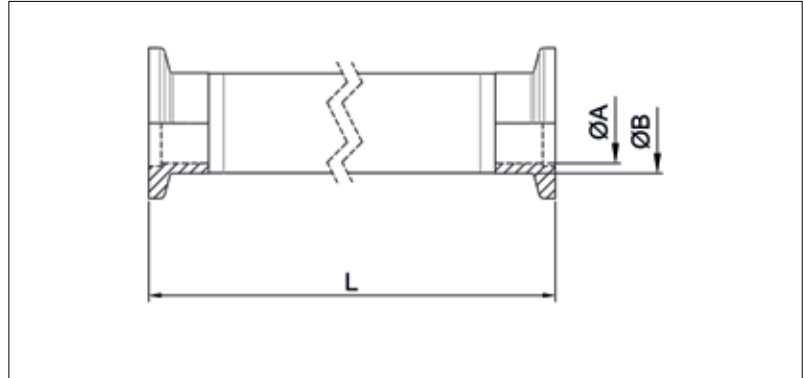
Size (DN)	L (mm)	A (mm)	B (mm)	Bend radius, unique movement (mm)	Bend radius, often movement (mm)	Order No
16	250	16	26	26	105	VC1HSB2SS016-250
16	500	16	26	26	105	VC1HSB2SS016-500
16	750	16	26	26	105	VC1HSB2SS016-750
16	1000	16	26	26	105	VC1HSB2SS016-1000
16	1500	16	26	26	105	VC1HSB2SS016-1500
25	250	24	37	38	135	VC1HSB2SS025-250
25	500	24	37	38	135	VC1HSB2SS025-500
25	750	24	37	38	135	VC1HSB2SS025-750
25	1000	24	37	38	135	VC1HSB2SS025-1500
25	1500	24	37	38	135	VC1HSB2SS025-1000
40	250	40,5	56	59	180	VC1HSB2SS040-250
40	500	40,5	56	59	180	VC1HSB2SS040-500
40	750	40,5	56	59	180	VC1HSB2SS040-750
40	1000	40,5	56	59	180	VC1HSB2SS040-1000
40	1500	40,5	56	59	180	VC1HSB2SS040-1500
50	250	50	67	72	210	VC1HSB2SS050-250
50	500	50	67	72	210	VC1HSB2SS050-500
50	750	50	67	72	210	VC1HSB2SS050-750
50	1000	50	67	72	210	VC1HSB2SS050-1000
50	1500	50	67	72	210	VC1HSB2SS050-1500

ISO-KF Flexible Hose, Sheathed



- Custom lengths on request
- Pressure range: $1 \cdot 10^{-8}$ mbar to 500
- Materials:
Stainless Steel 304/1.4301
Stainless Steel 316L/1.4404

Dimensions



Stainless Steel 304/1.4301

- Temperature range: -196 to 300 °C

Size (DN)	L (mm)	A (mm)	B (mm)	Bend radius, unique movement (mm)	Bend radius, often movement (mm)	Order No
16	250	15.9	24.9	44	140	VC1HSC1SS016-250
16	500	15.9	24.9	44	140	VC1HSC1SS016-500
16	750	15.9	24.9	44	140	VC1HSC1SS016-750
16	1000	15.9	24.9	44	140	VC1HSC1SS016-1000
16	1500	15.9	24.9	44	140	VC1HSC1SS016-1500
25	250	24	35.1	64	180	VC1HSC1SS025-250
25	500	24	35.1	64	180	VC1HSC1SS025-500
25	750	24	35.1	64	180	VC1HSC1SS025-750
25	1000	24	35.1	64	180	VC1HSC1SS025-1000
25	1500	24	35.1	64	180	VC1HSC1SS025-1500
40	250	40,5	54.7	98	240	VC1HSC1SS040-250
40	500	40,5	54.7	98	240	VC1HSC1SS040-500
40	750	40,5	54.7	98	240	VC1HSC1SS040-750
40	1000	40,5	54.7	98	240	VC1HSC1SS040-1000
40	1500	40,5	54.7	98	240	VC1HSC1SS040-1500
50	250	49.9	65.7	120	280	VC1HSC1SS050-250
50	500	49.9	65.7	120	280	VC1HSC1SS050-500
50	750	49.9	65.7	120	280	VC1HSC1SS050-750
50	1000	49.9	65.7	120	280	VC1HSC1SS050-1000
50	1500	49.9	65.7	120	280	VC1HSC1SS050-1500

Stainless Steel 316L/1.4404

- Temperature range: -196 to 350 °C

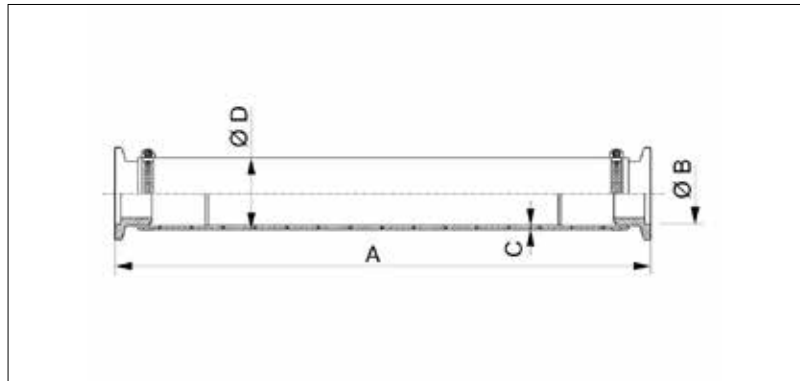
Size (DN)	L (mm)	A (mm)	B (mm)	Bend radius, unique movement (mm)	Bend radius, often movement (mm)	Order No
16	250	15.9	24.9	44	140	VC1HSC2SS016-250
16	500	15.9	24.9	44	140	VC1HSC2SS016-500
16	750	15.9	24.9	44	140	VC1HSC2SS016-750
16	1000	15.9	24.9	44	140	VC1HSC2SS016-1000
16	1500	15.9	24.9	44	140	VC1HSC2SS016-1500
25	250	24	35.1	64	180	VC1HSC2SS025-250
25	500	24	35.1	64	180	VC1HSC2SS025-500
25	750	24	35.1	64	180	VC1HSC2SS025-750
25	1000	24	35.1	64	180	VC1HSC2SS025-1000
25	1500	24	35.1	64	180	VC1HSC2SS025-1500
40	250	40,5	54.7	98	240	VC1HSC2SS040-250
40	500	40,5	54.7	98	240	VC1HSC2SS040-500
40	750	40,5	54.7	98	240	VC1HSC2SS040-750
40	1000	40,5	54.7	98	240	VC1HSC2SS040-1000
40	1500	40,5	54.7	98	240	VC1HSC2SS040-1500
50	250	49.9	65.7	120	280	VC1HSC2SS050-250
50	500	49.9	65.7	120	280	VC1HSC2SS050-500
50	750	49.9	65.7	120	280	VC1HSC2SS050-750
50	1000	49.9	65.7	120	280	VC1HSC2SS050-1000
50	1500	49.9	65.7	120	280	VC1HSC2SS050-1500

ISO-KF PVC Hose and Flanges



- Inner Tube: PVC, transparent
- Hose cover: PVC, transparent
- Casing: Steel coil
- Smooth inner and outer walls
- Custom lengths on request
- Pressure range: $1 \cdot 10^{-4}$ mbar to ambient pressure
- Temperature range: -5 to 40 °C (Consider PVC temperature range.)
- Flange materials:
Stainless Steel 304/1.4301
Stainless Steel 316L/1.4404

Dimensions



Stainless Steel 304/1.4301

- Temperature range: -196 to 300 °C

Size (DN)	A (mm)	B (mm)	C (mm)	D (mm)	Bend radius [mm]	Order No
16	500	12	3.1	22	50	VC1HSD1SS016-500
16	1000	12	3.1	22	50	VC1HSD1SS016-1000
25	500	21	4	33	85	VC1HSD1SS025-500
25	1000	21	4	33	85	VC1HSD1SS025-1000
40	500	40,5	4,9	55	145	VC1HSD1SS040-500
40	1000	40,5	4,9	55	145	VC1HSD1SS040-1000
50	500	45	5	61	195	VC1HSD1SS050-500
50	1000	45	5	61	195	VC1HSD1SS050-1000

Stainless Steel 316L/1.4404

- Temperature range: -196 to 350 °C

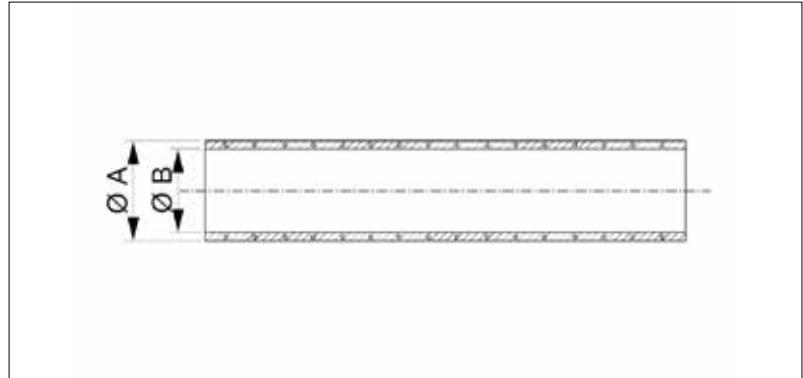
Size (DN)	A (mm)	B (mm)	C (mm)	D (mm)	Bend radius [mm]	Order No
16	500	12	3.1	22	50	VC1HSD2SS016-500
16	1000	12	3.1	22	50	VC1HSD2SS016-1000
25	500	21	4	33	85	VC1HSD2SS025-500
25	1000	21	4	33	85	VC1HSD2SS025-1000
40	500	40,5	4,9	55	145	VC1HSD2SS040-500
40	1000	40,5	4,9	55	145	VC1HSD2SS040-1000
50	500	45	5	61	195	VC1HSD2SS050-500
50	1000	45	5	61	195	VC1HSD2SS050-1000

ISO-KF PVC Hose with Embedded Spring



- Inner Tube: PVC, transparent
- Hose cover: PVC, transparent
- Casing: Steel coil
- Smooth inner and outer walls
- Custom lengths on request
- Pressure range: $1 \cdot 10^{-4}$ mbar to ambient pressure
- Temperature range: -5 to 40 °C
- Connection: with hose adapter and hose clamp

Dimensions



PVC

A (mm)	B (mm)	Bend radius (mm)	Order No
22	16	50	VC1HSE3PL016-16
16	10	30	VC1HSE3PL016-10
19.2	13	40	VC1HSE3PL016-13
26	19	60	VC1HSE3PL016-19
33	25	85	VC1HSE3PL025-25
55	45	145	VC1HSE3PL040-45
48.8	40	200	VC1HSE3PL040-40
61	51	195	VC1HSE3PL050-51

ISO-K / ISO-F SYSTEM

This part consists of ISO-K/ ISO-System.
Check out this section for products NW 63 - 630

ISO-K & ISO-F Components

Anadolu Vacuum ISO Flange components are manufactured on the strength of DIN 28404 and ISO 1609. ISO flanges (also called Large ISO) have a sexless design and are made from stainless or Aluminium. All components produced by Anadolu Vacuum are 100% leak-tested and have leak rates better than 10^{-9} mbarl/s.

Standard sizes are NW 63 to 320. Nominal widths of up to 630 can be manufactured upon request. ISO-K clamping flange components are appropriate for building up high-vacuum connection from 10^{-9} mbar to 1.5 bar. Montage is via screw clamps, claws or a collar flange with snap ring and screws. The clamps, claws or screws must be fixed with so that the flanges butt against the centering ring. This requires a remarkable increment in torque. Sealing takes place according to the particular necessities via elastomer seals or an aluminium ring. In this case metal seals, the increased contact forces mean that accordingly more screw clamps are required. A collar flange supply a problem-free progress to ISO-F. The progress to KF components and also CF components is effectively conceivable using ISO-K/KF or ISO-K/CF adapter pieces.

Please consider the product information given on the product pages.



ISO-K / ISO-F Flanges

This part consists of ISO-K / ISO-F Flanges.
Check out this section for products NW 63 - 630

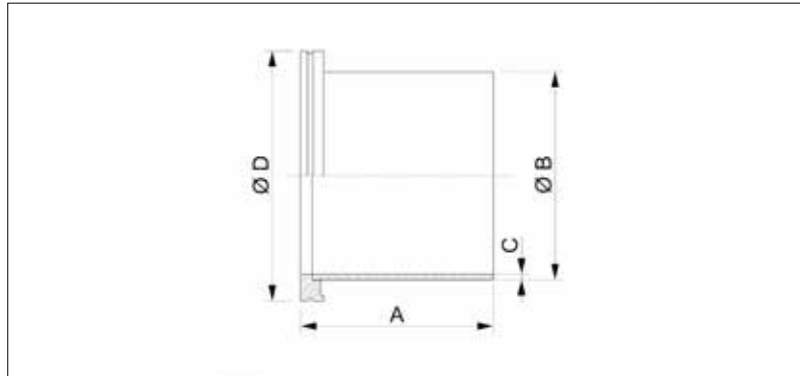


ISO-K Half Flange



- Pressure range: $1 \cdot 10^{-8}$ mbar to 1.5 bar (elastomer seal)
 $1 \cdot 10^{-9}$ mbar to 1.5 bar (metal seal)
- Custom lengths available upon request

Dimensions



Stainless Steel 304/1.4301

- Temperature range: -196 to 300 °C
- Material: Flange: stainless steel 304/1.4301; tube: stainless steel 304/1.4301 or better

Size (DN)	Tube Dimension (mm)	A (mm)	B (mm)	C (mm)	D (mm)	Order No
63	63,5x1,65	100	63.5	1.65	95	VC2FLA1SS063-63-100
63	76,1x3	100	76.1	3	95	VC2FLA1SS063-76-100
80	76,1x3	100	76.1	3	110	VC2FLA1SS080-76-100
80	88,9x3	100	88.9	3	110	VC2FLA1SS080-88-100
100	101,6x2,1	100	101.6	2.1	130	VC2FLA1SS100-101-100
100	108x3	100	108	3	130	VC2FLA1SS100-108-100
160	152,4x2,4	100	152.4	2.4	180	VC2FLA1SS160-152-100
160	159x3	100	159	3	180	VC2FLA1SS160-159-100
200	203,2x2,4	100	203.2	2.4	240	VC2FLA1SS200-203-100
200	219x3	100	219	3	240	VC2FLA1SS200-219-100
250	254x2	100	254	2	290	VC2FLA1SS250-254-100
250	273x3	100	273	3	290	VC2FLA1SS250-273-100
320	324x3	100	324	3	370	VC2FLA1SS320-324-100
400	406.4x3	100	406.4	3	450	VC2FLA1SS400-406-100
500	508x4	100	508	4	550	VC2FLA1SS500-508-100
630	660x5	100	660	5	690	VC2FLA1SS630-660-100

Stainless Steel 316L/1.4404

- Temperature range: -196 to 350 °C
- Material: Flange: stainless steel 316L/1.4404; tube: stainless steel 316L/1.4404 or better

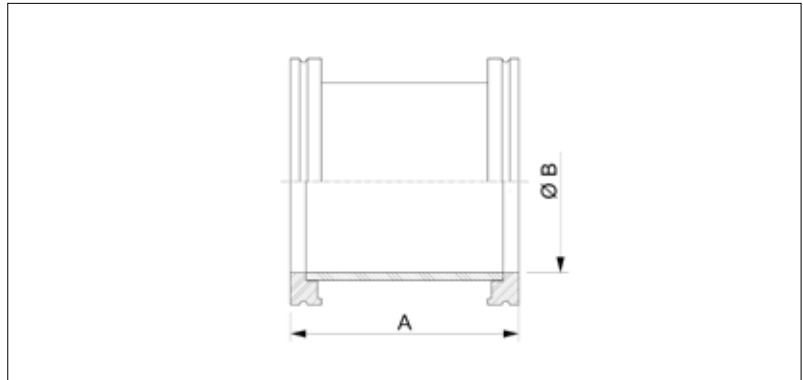
Size (DN)	Tube Dimension (mm)	A (mm)	B (mm)	C (mm)	D (mm)	Order No
63	63,5x1,65	100	63.5	1.65	95	VC2FLA2SS063-63-100
63	76,1x3	100	76.1	3	95	VC2FLA2SS063-76-100
80	76,1x3	100	76.1	3	110	VC2FLA2SS080-76-100
80	88,9x3	100	88.9	3	110	VC2FLA2SS080-88-100
100	101,6x2,1	100	101.6	2.1	130	VC2FLA2SS100-101-100
100	108x3	100	108	3	130	VC2FLA2SS100-108-100
160	152,4x2,4	100	152.4	2.4	180	VC2FLA2SS160-152-100
160	159x3	100	159	3	180	VC2FLA2SS160-159-100
200	203,2x2,4	100	203.2	2.4	240	VC2FLA2SS200-203-100
200	219x3	100	219	3	240	VC2FLA2SS200-219-100
250	254x2	100	254	2	290	VC2FLA2SS250-254-100
250	273x3	100	273	3	290	VC2FLA2SS250-273-100
320	324x3	100	324	3	370	VC2FLA2SS320-324-100
400	406.4x3	100	406.4	3	450	VC2FLA2SS400-406-100
500	508x4	100	508	4	550	VC2FLA2SS500-508-100
630	660x5	100	660	5	690	VC2FLA2SS630-660-100

ISO-K Full Flange



- Pressure range: $1 \cdot 10^{-8}$ mbar to 1.5 bar (elastomer seal)
 $1 \cdot 10^{-9}$ mbar to 1.5 bar (metal seal)
- Custom lengths available upon request

Dimensions



Stainless Steel 304/1.4301

- Temperature range: -196 to 300 °C

Size (DN)	A (mm)	B (mm)	Order No
63	88	70	VC2FLB1SS063-88
63	176	70	VC2FLB1SS063-176
100	108	102	VC2FLB1SS100-108
100	216	102	VC2FLB1SS100-216
160	138	153	VC2FLB1SS160-138
160	276	153	VC2FLB1SS160-276
200	178	213	VC2FLB1SS200-178
250	208	261	VC2FLB1SS250-208

Stainless Steel 316L/1.4404

- Temperature range: -196 to 350 °C

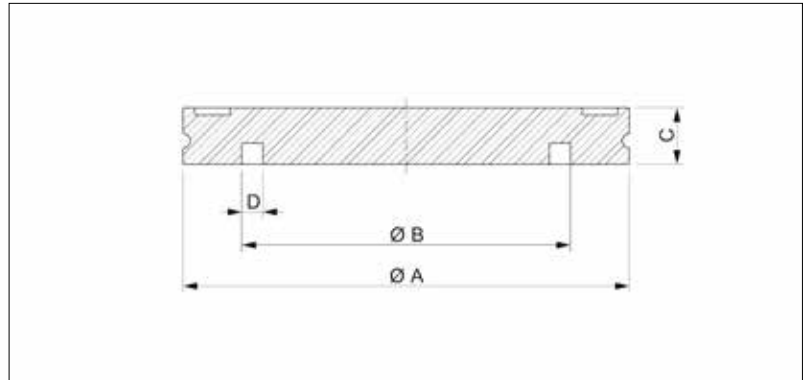
Size (DN)	A (mm)	B (mm)	Order No
63	88	70	VC2FLB2SS063-88
63	176	70	VC2FLB2SS063-176
100	108	102	VC2FLB2SS100-108
100	216	102	VC2FLB2SS100-216
160	138	153	VC2FLB2SS160-138
160	276	153	VC2FLB2SS160-276
200	178	213	VC2FLB2SS200-178
250	208	261	VC2FLB2SS250-208

ISO-K Blanking Flange



- Pressure range: $1 \cdot 10^{-8}$ mbar to 1.5 bar (elastomer seal)
 $1 \cdot 10^{-9}$ mbar to 1.5 bar (metal seal)
- Custom lengths available upon request

Dimensions



Stainless Steel 304/1.4301

- Temperature range: -196 to 300 °C

Size (DN)	A (mm)	B (mm)	C (mm)	D (mm)	Order No
63	95	70	12	4.5	VC2FLC1SS063
80	110	83	12	4.5	VC2FLC1SS080
100	130	102	12	4.5	VC2FLC1SS100
160	180	153	12	4.5	VC2FLC1SS160
200	240	213	12	4.5	VC2FLC1SS200
250	290	261	12	4.5	VC2FLC1SS250
320	370	318	17	4.5	VC2FLC1SS320
400	450	400	17	4.5	VC2FLC1SS400
500	550	501	17	4.5	VC2FLC1SS500
630	690	651	22	4.5	VC2FLC1SS630

Stainless Steel 316L/1.4404

- Temperature range: -196 to 350 °C

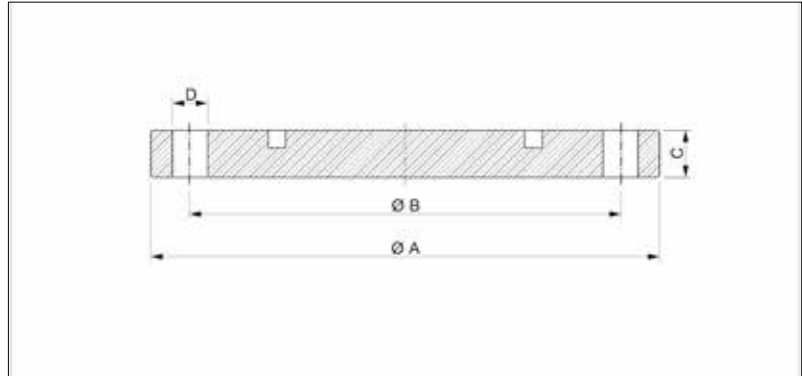
Size (DN)	A (mm)	B (mm)	C (mm)	D (mm)	Order No
63	95	70	12	4.5	VC2FLC2SS063
80	110	83	12	4.5	VC2FLC2SS080
100	130	102	12	4.5	VC2FLC2SS100
160	180	153	12	4.5	VC2FLC2SS160
200	240	213	12	4.5	VC2FLC2SS200
250	290	261	12	4.5	VC2FLC2SS250
320	370	318	17	4.5	VC2FLC2SS320
400	450	400	17	4.5	VC2FLC2SS400
500	550	501	17	4.5	VC2FLC2SS500
630	690	651	22	4.5	VC2FLC2SS630

ISO-F Blanking Flange



- Pressure range: $1 \cdot 10^{-8}$ mbar to 1.5 bar (elastomer seal)
- $1 \cdot 10^{-9}$ mbar to 1.5 bar (metal seal)

Dimensions



Stainless Steel 304/1.4301

- Temperature range: -196 to 300 °C

Size (DN)	A (mm)	B (mm)	C (mm)	D (mm)	Order No
63	130	110	12	9	VC3FLA1SS063
100	165	145	12	9	VC3FLA1SS100
160	225	200	16	11	VC3FLA1SS160
200	285	260	16	11	VC3FLA1SS200
250	335	310	16	11	VC3FLA1SS250

Stainless Steel 316L/1.4404

- Temperature range: -196 to 350 °C

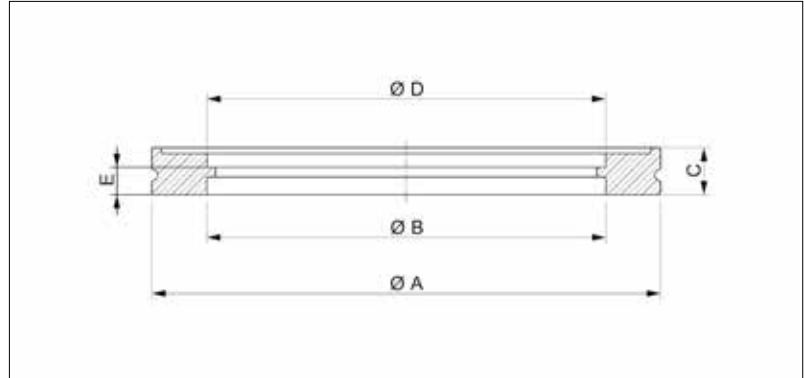
Size (DN)	A (mm)	B (mm)	C (mm)	D (mm)	Order No
63	130	110	12	9	VC3FLA2SS063
100	165	145	12	9	VC3FLA2SS100
160	225	200	16	11	VC3FLA2SS160
200	285	260	16	11	VC3FLA2SS200
250	335	310	16	11	VC3FLA2SS250

ISO-K Weld Ring Flange



- Pressure range: $1 \cdot 10^{-8}$ mbar to 1.5 bar over pressure (elastomer seal);
 $1 \cdot 10^{-9}$ mbar to 1.5 bar over pressure (metal seal)
- Materials:
Stainless Steel 304/1.4301
Stainless Steel 316L/1.4404

Dimensions



Stainless Steel 304/1.4301

- Temperature range: -196 to 300 °C

Size (DN)	Tube Dimension (mm)	A (mm)	B (mm)	C (mm)	D (mm)	E (mm)	Order No
63	63,5x1,65	95	70	12	63.8	6	VC2FLD1SS063-63
63	76,1x3	95	70	12	70.3	6	VC2FLD1SS063-70
63	76,1x3	95	70	12	76.4	6	VC2FLD1SS063-76
63	76,1x3	95	70	12	76.4	8	VC2FLD1SS063-76-S
80	76,1x3	110	83	12	76.4	6	VC2FLD1SS080-76
80	88,9x3	110	83	12	89.2	6	VC2FLD1SS080-88
100	101,6x2,1	130	102	12	101.9	6	VC2FLD1SS100-101
100	104x2	130	102	12	104.3	6	VC2FLD1SS100-104
100	108x3	130	102	12	108.3	6	VC2FLD1SS100-108
100	108x3	130	102	12	108.3	8	VC2FLD1SS100-108-S
100	114,3x2	130	102	12	114.6	6	VC2FLD1SS100-114
160	152,4x2,4	180	153	12	152.7	6	VC2FLD1SS160-152
160	159x3	180	153	12	159.3	6	VC2FLD1SS160-159
160	159x3	180	153	12	159.3	8	VC2FLD1SS160-159-S
200	203,2x2,4	240	213	12	203.6	6	VC2FLD1SS200-203
200	219x3	240	213	12	219.4	6	VC2FLD1SS200-219
200	219x3	240	213	12	219.4	8	VC2FLD1SS200-219-S
250	254x2	290	261	12	254.4	6	VC2FLD1SS250-254
250	273x3	290	261	12	273.4	6	VC2FLD1SS250-273
250	273x3	290	261	12	273.4	8	VC2FLD1SS250-273-S
320	324x3	370	318	17	324.4	8	VC2FLD1SS320-324
320	324x3	370	318	17	324.4	10	VC2FLD1SS320-324-S
400	406x3	450	400	17	406.5	8	VC2FLD1SS400-406
500	508x4	550	501	17	508.5	8	VC2FLD1SS500-508
630	660x5	690	651	22	660.5	12	VC2FLD1SS630-660

Stainless Steel 316L/1.4404

- Temperature range: -196 to 350 °C

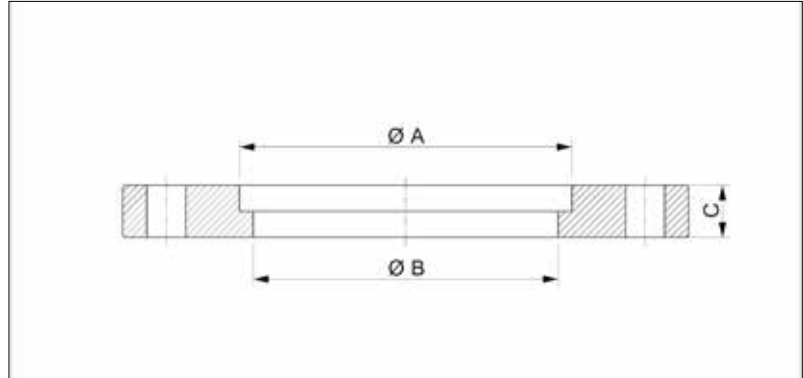
Size (DN)	Tube Dimension (mm)	A (mm)	B (mm)	C (mm)	D (mm)	E (mm)	Order No
63	63,5x1,65	95	70	12	63.8	6	VC2FLD2SS063-63
63	76,1x3	95	70	12	70.3	6	VC2FLD2SS063-70
63	76,1x3	95	70	12	76.4	6	VC2FLD2SS063-76
63	76,1x3	95	70	12	76.4	8	VC2FLD2SS063-76-S
80	76,1x3	110	83	12	76.4	6	VC2FLD2SS080-76
80	88,9x3	110	83	12	89.2	6	VC2FLD2SS080-88
100	101,6x2,1	130	102	12	101.9	6	VC2FLD2SS100-101
100	104x2	130	102	12	104.3	6	VC2FLD2SS100-104
100	108x3	130	102	12	108.3	6	VC2FLD2SS100-108
100	108x3	130	102	12	108.3	8	VC2FLD2SS100-108-S
100	114,3x2	130	102	12	114.6	6	VC2FLD2SS100-114
160	152,4x2,4	180	153	12	152.7	6	VC2FLD2SS160-152
160	159x3	180	153	12	159.3	6	VC2FLD2SS160-159
160	159x3	180	153	12	159.3	8	VC2FLD2SS160-159-S
200	203,2x2,4	240	213	12	203.6	6	VC2FLD2SS200-203
200	219x3	240	213	12	219.4	6	VC2FLD2SS200-219
200	219x3	240	213	12	219.4	8	VC2FLD2SS200-219-S
250	254x2	290	261	12	254.4	6	VC2FLD2SS250-254
250	273x3	290	261	12	273.4	6	VC2FLD2SS250-273
250	273x3	290	261	12	273.4	8	VC2FLD2SS250-273-S
320	324x3	370	318	17	324.4	8	VC2FLD2SS320-324
320	324x3	370	318	17	324.4	10	VC2FLD2SS320-324-S
400	406x3	450	400	17	406.5	8	VC2FLD2SS400-406
500	508x4	550	501	17	508.5	8	VC2FLD2SS500-508
630	660x5	690	651	22	660.5	12	VC2FLD2SS630-660

ISO-F Weld Ring Flange



- Pressure range: $1 \cdot 10^{-8}$ mbar to 1.5 bar (elastomer seal)
 $1 \cdot 10^{-9}$ mbar to 1.5 bar (metal seal)
- Materials:
Stainless Steel 304/1.4301
Stainless Steel 316L/1.4404

Dimensions



Stainless Steel 304/1.4301

- Temperature range: -196 to 300 °C

Size (DN)	Tube Dimension (mm)	A (mm)	B (mm)	C (mm)	Order No
63	76,1x3	76.4	70	12	VC3FLB1SS063-76
100	108x3	108.3	102	12	VC3FLB1SS100-108
160	159x3	159.3	153	16	VC3FLB1SS160-159
200	219x3	219.4	213	16	VC3FLB1SS200-219
250	273x3	273.4	261	16	VC3FLB1SS250-273

Stainless Steel 316L/1.4404

- Temperature range: -196 to 350 °C

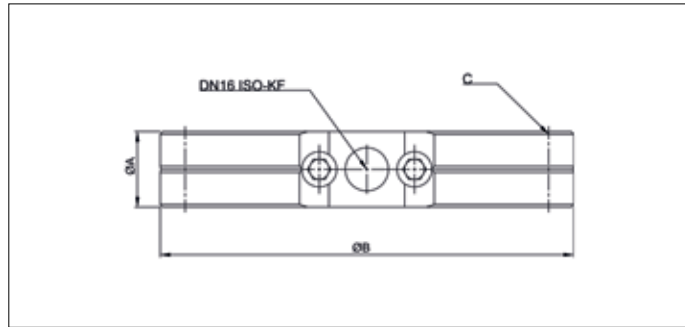
Size (DN)	Tube Dimension (mm)	A (mm)	B (mm)	C (mm)	Order No
63	76,1x3	76.4	70	12	VC3FLB2SS063-76
100	108x3	108.3	102	12	VC3FLB2SS100-108
160	159x3	159.3	153	16	VC3FLB2SS160-159
200	219x3	219.4	213	16	VC3FLB2SS200-219
250	273x3	273.4	261	16	VC3FLB2SS250-273

ISO-F Measurement Flange



- Suitable for application with elastomer seal
- Pressure range: $1 \cdot 10^{-8}$ mbar to 1.5 bar
- Materials:
Stainless Steel 304/1.4301
Stainless Steel 316L/1.4404
- Temperature range: Consider O-ring temperature ranges

Dimensions



Aluminium EN AW-6082/3.2315

- Temperature Range: -196 to 150 C°

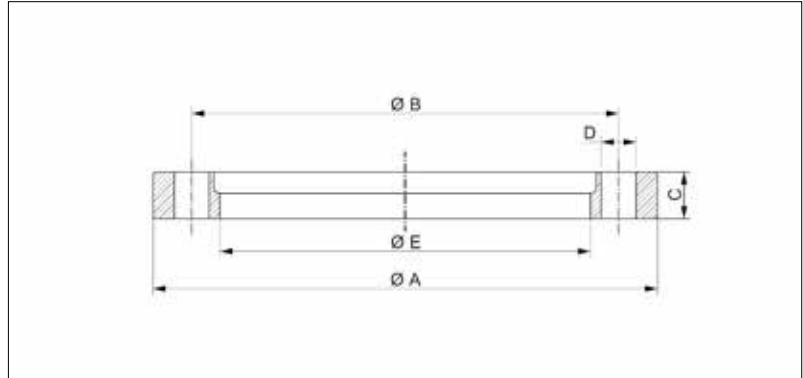
Size (DN)	A (mm)	B (mm)	C (mm)	Order No
63	35	130	4 x M8	VC3FLC1AL063
80	35	165	8 x M8	VC3FLC1AL080
100	35	165	8 x M8	VC3FLC1AL100

ISO-K Rotatable Bolt Ring



- Circlip included
- Fixation: Set of screws
- Materials:
Stainless Steel 304/1.4301
Stainless Steel 316L/1.4404
- With this product you can convert an ISO-K flange into a Rotatable ISO-F flange

Dimensions



Stainless Steel 304/1.4301

- Temperature range: -196 to 300 °C

Size (DN)	A (mm)	B (mm)	C (mm)	D (mm)	E (mm)	Order No
63	130	110	12	9	95.5	VC2FLE1SS063
80	145	125	12	9	110.5	VC2FLE1SS080
100	165	145	12	9	130.5	VC2FLE1SS100
160	225	200	16	11	180.7	VC2FLE1SS160
200	285	260	16	11	240.7	VC2FLE1SS200
250	335	310	16	11	290.7	VC2FLE1SS250

Stainless Steel 316L/1.4404

- Temperature range: -196 to 350 °C

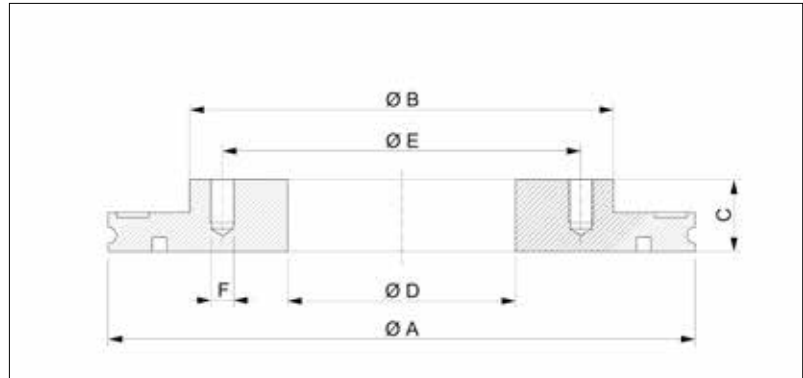
Size (DN)	A (mm)	B (mm)	C (mm)	D (mm)	E (mm)	Order No
63	130	110	12	9	95.5	VC2FLE2SS063
80	145	125	12	9	110.5	VC2FLE2SS080
100	165	145	12	9	130.5	VC2FLE2SS100
160	225	200	16	11	180.7	VC2FLE2SS160
200	285	260	16	11	240.7	VC2FLE2SS200
250	335	310	16	11	290.7	VC2FLE2SS250

ISO-K to ISO-F Adapter Flange



- Pressure range: $1 \cdot 10^{-8}$ mbar to 500 mbar over pressure (elastomer seal)
 $1 \cdot 10^{-9}$ mbar to 500 mbar over pressure (metal seal)
- Materials:
 Stainless Steel 304/1.4301
 Stainless Steel 316L/1.4404

Dimensions



Stainless Steel 304/1.4301

- Temperature range: -196 to 300 °C

Size (DN)	Nominal diameter reduced	A (mm)	B (mm)	C (mm)	D (mm)	E (mm)	F	Order No
160	63	180	130	22	70	110	M8	VC2FLF1SS160-063
160	100	180	165	22	102	145	M8	VC2FLF1SS160-100
200	100	240	165	20	102	145	M8	VC2FLF1SS200-100
200	160	240	225	26	153	200	M10	VC2FLF1SS200-160
250	160	290	225	22	153	200	M10	VC2FLF1SS250-160

Stainless Steel 316L/1.4404

- Temperature range: -196 to 350 °C

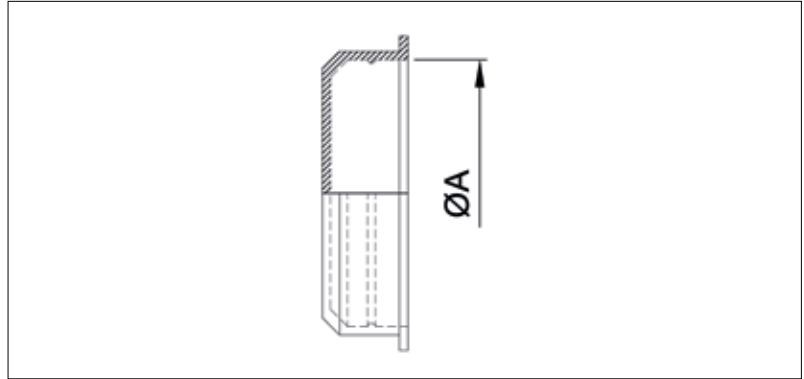
Size (DN)	Nominal diameter reduced	A (mm)	B (mm)	C (mm)	D (mm)	E (mm)	F	Order No
160	63	180	130	22	70	110	M8	VC2FLF2SS160-063
160	100	180	165	22	102	145	M8	VC2FLF2SS160-100
200	100	240	165	20	102	145	M8	VC2FLF2SS200-100
200	160	240	225	26	153	200	M10	VC2FLF2SS200-160
250	160	290	225	22	153	200	M10	VC2FLF2SS250-160

ISO-K Flange Caps

Made from plastic
Polyethelene (PE)



Dimensions



Polietilen

Size (DN)	A (mm)	Package (Qty.)	Order No
63	95	5	VC2FLG2PL063
80	110	5	VC2FLG2PL080
100	130	5	VC2FLG2PL100
160	180	5	VC2FLG2PL160
200	240	5	VC2FLG2PL200
250	290	5	VC2FLG2PL250

ISO-K / ISO-F Seals

This part consists of ISO K/F Seals.
Check out this section for products NW 63 - 630

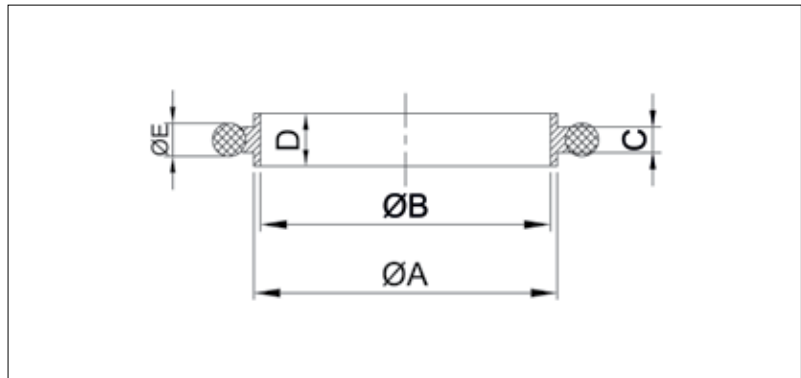


ISO-K Seal Inner Centered



- Consider O-ring temperature ranges (See Properties of Elastomer Materials Table on Page 14)
- Various types of O-ring seals are available
- Inner ring materials:
Aluminium EN AW-6082 T6
Stainless Steel 304/1.4301
Stainless Steel 316/1.4404

Dimensions



Aluminium EN AW-6082 T6/3.2315

- Temperature Range: -196 to 150 C°

Size (DN)	A (mm)	B (mm)	C (mm)	D (mm)	E (mm)	O-ring material	Order No
63	70	68	3.9	8	5.33	FKM	VC2SLA1AL063-FKM
80	83	81	3.9	8	5.33	FKM	VC2SLA1AL080-FKM
100	102	100	3.9	8	5.33	FKM	VC2SLA1AL100-FKM
160	153	151	3.9	8	5.33	FKM	VC2SLA1AL160-FKM
200	213	211	3.9	8	5.33	FKM	VC2SLA1AL200-FKM
250	261	259	3.9	8	5.33	FKM	VC2SLA1AL250-FKM
320						FKM	VC2SLA1AL320-FKM
400						FKM	VC2SLA1AL400-FKM
500						FKM	VC2SLA1AL500-FKM
630						FKM	VC2SLA1AL630-FKM
63	70	68	3.9	8	5.33	CR	VC2SLA1AL063-CR
80	83	81	3.9	8	5.33	CR	VC2SLA1AL080-CR
100	102	100	3.9	8	5.33	CR	VC2SLA1AL100-CR
160	153	151	3.9	8	5.33	CR	VC2SLA1AL160-CR
200	213	211	3.9	8	5.33	CR	VC2SLA1AL200-CR
250	261	259	3.9	8	5.33	CR	VC2SLA1AL250-CR
320						CR	VC2SLA1AL320-CR
400						CR	VC2SLA1AL400-CR
500						CR	VC2SLA1AL500-CR
630						CR	VC2SLA1AL630-CR
63	70	68	3.9	8	5.33	NBR	VB.02.01.01.010.021
80	83	81	3.9	8	5.33	NBR	VB.02.01.01.010.022
100	102	100	3.9	8	5.33	NBR	VB.02.01.01.010.023
160	153	151	3.9	8	5.33	NBR	VB.02.01.01.010.024

Size (DN)	A (mm)	B (mm)	C (mm)	D (mm)	E (mm)	O-ring material	Order No
200	213	211	3.9	8	5.33	NBR	VC2SLA1AL200-NBR
250	261	259	3.9	8	5.33	NBR	VC2SLA1AL250-NBR
320						NBR	VC2SLA1AL320-NBR
400						NBR	VC2SLA1AL400-NBR
500						NBR	VC2SLA1AL500-NBR
630						NBR	VC2SLA1AL630-NBR
63	70	68	3.9	8	5.33	EPDM	VC2SLA1AL063-EPDM
80	83	81	3.9	8	5.33	EPDM	VC2SLA1AL080-EPDM
100	102	100	3.9	8	5.33	EPDM	VC2SLA1AL100-EPDM
160	153	151	3.9	8	5.33	EPDM	VC2SLA1AL160-EPDM
200	213	211	3.9	8	5.33	EPDM	VC2SLA1AL200-EPDM
250	261	259	3.9	8	5.33	EPDM	VC2SLA1AL250-EPDM
320						EPDM	VC2SLA1AL320-EPDM
400						EPDM	VC2SLA1AL400-EPDM
500						EPDM	VC2SLA1AL500-EPDM
630						EPDM	VC2SLA1AL630-EPDM
63	70	68	3.9	8	5.33	VMQ	VC2SLA1AL063-VMQ
80	83	81	3.9	8	5.33	VMQ	VC2SLA1AL080-VMQ
100	102	100	3.9	8	5.33	VMQ	VC2SLA1AL100-VMQ
160	153	151	3.9	8	5.33	VMQ	VC2SLA1AL160-VMQ
200	213	211	3.9	8	5.33	VMQ	VC2SLA1AL200-VMQ
250	261	259	3.9	8	5.33	VMQ	VC2SLA1AL250-VMQ
320						VMQ	VC2SLA1AL320-VMQ
400						VMQ	VC2SLA1AL400-VMQ
500						VMQ	VC2SLA1AL500-VMQ
630						VMQ	VC2SLA1AL630-VMQ

Stainless Steel 304/1.4301

- Temperature range: -196 to 300 °C

Size (DN)	A (mm)	B (mm)	C (mm)	D (mm)	E (mm)	O-ring material	Order No
63	70	68	3.9	8	5.33	FKM	VC2SLA1SS063-FKM
80	83	81	3.9	8	5.33	FKM	VC2SLA1SS080-FKM
100	102	100	3.9	8	5.33	FKM	VC2SLA1SS100-FKM
160	153	151	3.9	8	5.33	FKM	VC2SLA1SS160-FKM
200	213	211	3.9	8	5.33	FKM	VC2SLA1SS200-FKM
250	261	259	3.9	8	5.33	FKM	VC2SLA1SS250-FKM
320						FKM	VC2SLA1SS320-FKM
400						FKM	VC2SLA1SS400-FKM
500						FKM	VC2SLA1SS500-FKM
630						FKM	VC2SLA1SS630-FKM
63	70	68	3.9	8	5.33	CR	VC2SLA1SS063-CR
80	83	81	3.9	8	5.33	CR	VC2SLA1SS080-CR
100	102	100	3.9	8	5.33	CR	VC2SLA1SS100-CR
160	153	151	3.9	8	5.33	CR	VC2SLA1SS160-CR
200	213	211	3.9	8	5.33	CR	VC2SLA1SS200-CR
250	261	259	3.9	8	5.33	CR	VC2SLA1SS250-CR

Size (DN)	A (mm)	B (mm)	C (mm)	D (mm)	E (mm)	O-ring material	Order No
320						CR	VC2SLA1SS320-CR
400						CR	VC2SLA1SS400-CR
500						CR	VC2SLA1SS500-CR
630						CR	VC2SLA1SS630-CR
63	70	68	3.9	8	5.33	NBR	VC2SLA1SS063-NBR
80	83	81	3.9	8	5.33	NBR	VC2SLA1SS080-NBR
100	102	100	3.9	8	5.33	NBR	VC2SLA1SS100-NBR
160	153	151	3.9	8	5.33	NBR	VC2SLA1SS160-NBR
200	213	211	3.9	8	5.33	NBR	VC2SLA1SS200-NBR
250	261	259	3.9	8	5.33	NBR	VC2SLA1SS250-NBR
320						NBR	VC2SLA1SS320-NBR
400						NBR	VC2SLA1SS400-NBR
500						NBR	VC2SLA1SS500-NBR
630						NBR	VC2SLA1SS630-NBR
63	70	68	3.9	8	5.33	EPDM	VC2SLA1SS063-EPDM
80	83	81	3.9	8	5.33	EPDM	VC2SLA1SS080-EPDM
100	102	100	3.9	8	5.33	EPDM	VC2SLA1SS100-EPDM
160	153	151	3.9	8	5.33	EPDM	VC2SLA1SS160-EPDM
200	213	211	3.9	8	5.33	EPDM	VC2SLA1SS200-EPDM
250	261	259	3.9	8	5.33	EPDM	VC2SLA1SS250-EPDM
320						EPDM	VC2SLA1SS320-EPDM
400						EPDM	VC2SLA1SS400-EPDM
500						EPDM	VC2SLA1SS500-EPDM
630						EPDM	VC2SLA1SS630-EPDM
63	70	68	3.9	8	5.33	VMQ	VC2SLA1SS063-VMQ
80	83	81	3.9	8	5.33	VMQ	VC2SLA1SS080-VMQ
100	102	100	3.9	8	5.33	VMQ	VC2SLA1SS100-VMQ
160	153	151	3.9	8	5.33	VMQ	VC2SLA1SS160-VMQ
200	213	211	3.9	8	5.33	VMQ	VC2SLA1SS200-VMQ
250	261	259	3.9	8	5.33	VMQ	VC2SLA1SS250-VMQ
320						VMQ	VC2SLA1SS320-VMQ
400						VMQ	VC2SLA1SS400-VMQ
500						VMQ	VC2SLA1SS500-VMQ
630						VMQ	VC2SLA1SS630-VMQ

Stainless Steel 316L/1.4404

- Temperature range: -196 to 350 °C

Size (DN)	A (mm)	B (mm)	C (mm)	D (mm)	E (mm)	O-ring material	Order No
63	70	68	3.9	8	5.33	FKM	VC2SLA2SS063-FKM
80	83	81	3.9	8	5.33	FKM	VC2SLA2SS080-FKM
100	102	100	3.9	8	5.33	FKM	VC2SLA2SS100-FKM
160	153	151	3.9	8	5.33	FKM	VC2SLA2SS160-FKM
200	213	211	3.9	8	5.33	FKM	VC2SLA2SS200-FKM
250	261	259	3.9	8	5.33	FKM	VC2SLA2SS250-FKM
320						FKM	VC2SLA2SS320-FKM
400						FKM	VC2SLA2SS400-FKM
500						FKM	VC2SLA2SS500-FKM
630						FKM	VC2SLA2SS630-FKM

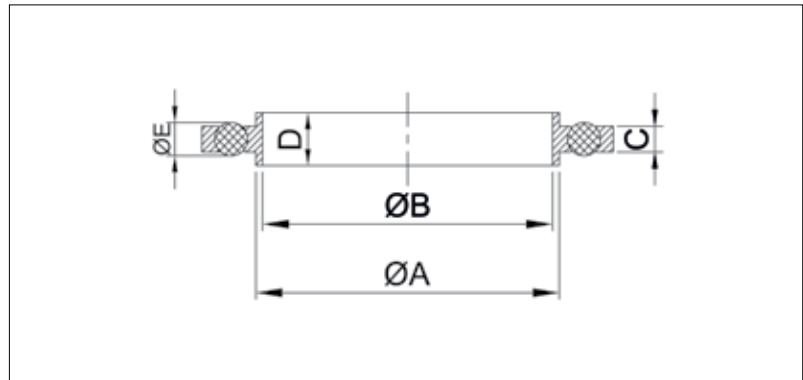
Size (DN)	A (mm)	B (mm)	C (mm)	D (mm)	E (mm)	O-ring material	Order No
63	70	68	3.9	8	5.33	CR	VC2SLA2SS063-CR
80	83	81	3.9	8	5.33	CR	VC2SLA2SS080-CR
100	102	100	3.9	8	5.33	CR	VC2SLA2SS100-CR
160	153	151	3.9	8	5.33	CR	VC2SLA2SS160-CR
200	213	211	3.9	8	5.33	CR	VC2SLA2SS200-CR
250	261	259	3.9	8	5.33	CR	VC2SLA2SS250-CR
320						CR	VC2SLA2SS320-CR
400						CR	VC2SLA2SS400-CR
500						CR	VC2SLA2SS500-CR
630						CR	VC2SLA2SS630-CR
63	70	68	3.9	8	5.33	NBR	VC2SLA2SS063-NBR
80	83	81	3.9	8	5.33	NBR	VC2SLA2SS080-NBR
100	102	100	3.9	8	5.33	NBR	VC2SLA2SS100-NBR
160	153	151	3.9	8	5.33	NBR	VC2SLA2SS160-NBR
200	213	211	3.9	8	5.33	NBR	VC2SLA2SS200-NBR
250	261	259	3.9	8	5.33	NBR	VC2SLA2SS250-NBR
320						NBR	VC2SLA2SS320-NBR
400						NBR	VC2SLA2SS400-NBR
500						NBR	VC2SLA2SS500-NBR
630						NBR	VC2SLA2SS630-NBR
63	70	68	3.9	8	5.33	EPDM	VC2SLA2SS063-EPDM
80	83	81	3.9	8	5.33	EPDM	VC2SLA2SS080-EPDM
100	102	100	3.9	8	5.33	EPDM	VC2SLA2SS100-EPDM
160	153	151	3.9	8	5.33	EPDM	VC2SLA2SS160-EPDM
200	213	211	3.9	8	5.33	EPDM	VC2SLA2SS200-EPDM
250	261	259	3.9	8	5.33	EPDM	VC2SLA2SS250-EPDM
320						EPDM	VC2SLA2SS320-EPDM
400						EPDM	VC2SLA2SS400-EPDM
500						EPDM	VC2SLA2SS500-EPDM
630						EPDM	VC2SLA2SS630-EPDM
63	70	68	3.9	8	5.33	VMQ	VC2SLA2SS063-VMQ
80	83	81	3.9	8	5.33	VMQ	VC2SLA2SS080-VMQ
100	102	100	3.9	8	5.33	VMQ	VC2SLA2SS100-VMQ
160	153	151	3.9	8	5.33	VMQ	VC2SLA2SS160-VMQ
200	213	211	3.9	8	5.33	VMQ	VC2SLA2SS200-VMQ
250	261	259	3.9	8	5.33	VMQ	VC2SLA2SS250-VMQ
320						VMQ	VC2SLA2SS320-VMQ
400						VMQ	VC2SLA2SS400-VMQ
500						VMQ	VC2SLA2SS500-VMQ
630						VMQ	VC2SLA2SS630-VMQ

ISO-K Seal Inner Centered With Support



- Consider O-ring temperature ranges (See Properties of Elastomer Materials Table on Page 14)
- Various types of O-ring seals are available
- Inner ring materials:
Aluminium EN AW-6082 T6
Stainless Steel 304/1.4301
Stainless Steel 316/1.4404

Dimensions



Aluminium EN AW-6082 T6/3.2315

- Temperature Range: -196 to 150 C°

Size (DN)	A (mm)	B (mm)	C (mm)	D (mm)	E (mm)	O-ring material	Order No
63	70	68	3.9	8	5.33	FKM	VC2SLB1AL063-FKM
80	83	81	3.9	8	5.33	FKM	VC2SLB1AL080-FKM
100	102	100	3.9	8	5.33	FKM	VC2SLB1AL100-FKM
160	153	151	3.9	8	5.33	FKM	VC2SLB1AL160-FKM
200	213	211	3.9	8	5.33	FKM	VC2SLB1AL200-FKM
250	261	259	3.9	8	5.33	FKM	VC2SLB1AL250-FKM
320						FKM	VC2SLB1AL320-FKM
400						FKM	VC2SLB1AL400-FKM
500						FKM	VC2SLB1AL500-FKM
630						FKM	VC2SLB1AL630-FKM
63	70	68	3.9	8	5.33	CR	VC2SLB1AL063-CR
80	83	81	3.9	8	5.33	CR	VC2SLB1AL080-CR
100	102	100	3.9	8	5.33	CR	VC2SLB1AL100-CR
160	153	151	3.9	8	5.33	CR	VC2SLB1AL160-CR
200	213	211	3.9	8	5.33	CR	VC2SLB1AL200-CR
250	261	259	3.9	8	5.33	CR	VC2SLB1AL250-CR
320						CR	VC2SLB1AL320-CR
400						CR	VC2SLB1AL400-CR
500						CR	VC2SLB1AL500-CR
630						CR	VC2SLB1AL630-CR
63	70	68	3.9	8	5.33	NBR	VC2SLB1AL063-NBR
80	83	81	3.9	8	5.33	NBR	VC2SLB1AL080-NBR
100	102	100	3.9	8	5.33	NBR	VC2SLB1AL100-NBR
160	153	151	3.9	8	5.33	NBR	VC2SLB1AL160-NBR

Size (DN)	A (mm)	B (mm)	C (mm)	D (mm)	E (mm)	O-ring material	Order No
200	213	211	3.9	8	5.33	NBR	VC2SLB1AL200-NBR
250	261	259	3.9	8	5.33	NBR	VC2SLB1AL250-NBR
320						NBR	VC2SLB1AL320-NBR
400						NBR	VC2SLB1AL400-NBR
500						NBR	VC2SLB1AL500-NBR
630						NBR	VC2SLB1AL630-NBR
63	70	68	3.9	8	5.33	EPDM	VC2SLB1AL063-EPDM
80	83	81	3.9	8	5.33	EPDM	VC2SLB1AL080-EPDM
100	102	100	3.9	8	5.33	EPDM	VC2SLB1AL100-EPDM
160	153	151	3.9	8	5.33	EPDM	VC2SLB1AL160-EPDM
200	213	211	3.9	8	5.33	EPDM	VC2SLB1AL200-EPDM
250	261	259	3.9	8	5.33	EPDM	VC2SLB1AL250-EPDM
320						EPDM	VC2SLB1AL320-EPDM
400						EPDM	VC2SLB1AL400-EPDM
500						EPDM	VC2SLB1AL500-EPDM
630						EPDM	VC2SLB1AL630-EPDM
63	70	68	3.9	8	5.33	VMQ	VC2SLB1AL063-VMQ
80	83	81	3.9	8	5.33	VMQ	VC2SLB1AL080-VMQ
100	102	100	3.9	8	5.33	VMQ	VC2SLB1AL100-VMQ
160	153	151	3.9	8	5.33	VMQ	VC2SLB1AL160-VMQ
200	213	211	3.9	8	5.33	VMQ	VC2SLB1AL200-VMQ
250	261	259	3.9	8	5.33	VMQ	VC2SLB1AL250-VMQ
320						VMQ	VC2SLB1AL320-VMQ
400						VMQ	VC2SLB1AL400-VMQ
500						VMQ	VC2SLB1AL500-VMQ
630						VMQ	VC2SLB1AL630-VMQ

Stainless Steel 304/1.4301

- Temperature range: -196 to 300 °C

Size (DN)	A (mm)	B (mm)	C (mm)	D (mm)	E (mm)	O-ring material	Order No
63	70	68	3.9	8	5.33	FKM	VC2SLB1SS063-FKM
80	83	81	3.9	8	5.33	FKM	VC2SLB1SS080-FKM
100	102	100	3.9	8	5.33	FKM	VC2SLB1SS100-FKM
160	153	151	3.9	8	5.33	FKM	VC2SLB1SS160-FKM
200	213	211	3.9	8	5.33	FKM	VC2SLB1SS200-FKM
250	261	259	3.9	8	5.33	FKM	VC2SLB1SS250-FKM
320						FKM	VC2SLB1SS320-FKM
400						FKM	VC2SLB1SS400-FKM
500						FKM	VC2SLB1SS500-FKM
630						FKM	VC2SLB1SS630-FKM
63	70	68	3.9	8	5.33	CR	VC2SLB1SS063-CR
80	83	81	3.9	8	5.33	CR	VC2SLB1SS080-CR
100	102	100	3.9	8	5.33	CR	VC2SLB1SS100-CR
160	153	151	3.9	8	5.33	CR	VC2SLB1SS160-CR
200	213	211	3.9	8	5.33	CR	VC2SLB1SS200-CR
250	261	259	3.9	8	5.33	CR	VC2SLB1SS250-CR

Size (DN)	A (mm)	B (mm)	C (mm)	D (mm)	E (mm)	O-ring material	Order No
320						CR	VC2SLB1SS320-CR
400						CR	VC2SLB1SS400-CR
500						CR	VC2SLB1SS500-CR
630						CR	VC2SLB1SS630-CR
63	70	68	3.9	8	5.33	NBR	VC2SLB1SS063-NBR
80	83	81	3.9	8	5.33	NBR	VC2SLB1SS080-NBR
100	102	100	3.9	8	5.33	NBR	VC2SLB1SS100-NBR
160	153	151	3.9	8	5.33	NBR	VC2SLB1SS160-NBR
200	213	211	3.9	8	5.33	NBR	VC2SLB1SS200-NBR
250	261	259	3.9	8	5.33	NBR	VC2SLB1SS250-NBR
320						NBR	VC2SLB1SS320-NBR
400						NBR	VC2SLB1SS400-NBR
500						NBR	VC2SLB1SS500-NBR
630						NBR	VC2SLB1SS630-NBR
63	70	68	3.9	8	5.33	EPDM	VC2SLB1SS063-EPDM
80	83	81	3.9	8	5.33	EPDM	VC2SLB1SS080-EPDM
100	102	100	3.9	8	5.33	EPDM	VC2SLB1SS100-EPDM
160	153	151	3.9	8	5.33	EPDM	VC2SLB1SS160-EPDM
200	213	211	3.9	8	5.33	EPDM	VC2SLB1SS200-EPDM
250	261	259	3.9	8	5.33	EPDM	VC2SLB1SS250-EPDM
320						EPDM	VC2SLB1SS320-EPDM
400						EPDM	VC2SLB1SS400-EPDM
500						EPDM	VC2SLB1SS500-EPDM
630						EPDM	VC2SLB1SS630-EPDM
63	70	68	3.9	8	5.33	VMQ	VC2SLB1SS063-VMQ
80	83	81	3.9	8	5.33	VMQ	VC2SLB1SS080-VMQ
100	102	100	3.9	8	5.33	VMQ	VC2SLB1SS100-VMQ
160	153	151	3.9	8	5.33	VMQ	VC2SLB1SS160-VMQ
200	213	211	3.9	8	5.33	VMQ	VC2SLB1SS200-VMQ
250	261	259	3.9	8	5.33	VMQ	VC2SLB1SS250-VMQ
320						VMQ	VC2SLB1SS320-VMQ
400						VMQ	VC2SLB1SS400-VMQ
500						VMQ	VC2SLB1SS500-VMQ
630						VMQ	VC2SLB1SS630-VMQ

Stainless Steel 316L/1.4404

- Temperature range: -196 to 350 °C

Size (DN)	A (mm)	B (mm)	C (mm)	D (mm)	E (mm)	O-ring material	Order No
63	70	68	3.9	8	5.33	FKM	VC2SLB2SS063-FKM
80	83	81	3.9	8	5.33	FKM	VC2SLB2SS080-FKM
100	102	100	3.9	8	5.33	FKM	VC2SLB2SS100-FKM
160	153	151	3.9	8	5.33	FKM	VC2SLB2SS160-FKM
200	213	211	3.9	8	5.33	FKM	VC2SLB2SS200-FKM
250	261	259	3.9	8	5.33	FKM	VC2SLB2SS250-FKM
320						FKM	VC2SLB2SS320-FKM
400						FKM	VC2SLB2SS400-FKM
500						FKM	VC2SLB2SS500-FKM
630						FKM	VC2SLB2SS630-FKM

Size (DN)	A (mm)	B (mm)	C (mm)	D (mm)	E (mm)	O-ring material	Order No
63	70	68	3.9	8	5.33	CR	VC2SLB2SS063-CR
80	83	81	3.9	8	5.33	CR	VC2SLB2SS080-CR
100	102	100	3.9	8	5.33	CR	VC2SLB2SS100-CR
160	153	151	3.9	8	5.33	CR	VC2SLB2SS160-CR
200	213	211	3.9	8	5.33	CR	VC2SLB2SS200-CR
250	261	259	3.9	8	5.33	CR	VC2SLB2SS250-CR
320						CR	VC2SLB2SS320-CR
400						CR	VC2SLB2SS400-CR
500						CR	VC2SLB2SS500-CR
630						CR	VC2SLB2SS630-CR
63	70	68	3.9	8	5.33	NBR	VC2SLB2SS063-NBR
80	83	81	3.9	8	5.33	NBR	VC2SLB2SS080-NBR
100	102	100	3.9	8	5.33	NBR	VC2SLB2SS100-NBR
160	153	151	3.9	8	5.33	NBR	VC2SLB2SS160-NBR
200	213	211	3.9	8	5.33	NBR	VC2SLB2SS200-NBR
250	261	259	3.9	8	5.33	NBR	VC2SLB2SS250-NBR
320						NBR	VC2SLB2SS320-NBR
400						NBR	VC2SLB2SS400-NBR
500						NBR	VC2SLB2SS500-NBR
630						NBR	VC2SLB2SS630-NBR
63	70	68	3.9	8	5.33	EPDM	VC2SLB2SS063-EPDM
80	83	81	3.9	8	5.33	EPDM	VC2SLB2SS080-EPDM
100	102	100	3.9	8	5.33	EPDM	VC2SLB2SS100-EPDM
160	153	151	3.9	8	5.33	EPDM	VC2SLB2SS160-EPDM
200	213	211	3.9	8	5.33	EPDM	VC2SLB2SS200-EPDM
250	261	259	3.9	8	5.33	EPDM	VC2SLB2SS250-EPDM
320						EPDM	VC2SLB2SS320-EPDM
400						EPDM	VC2SLB2SS400-EPDM
500						EPDM	VC2SLB2SS500-EPDM
630						EPDM	VC2SLB2SS630-EPDM
63	70	68	3.9	8	5.33	VMQ	VC2SLB2SS063-VMQ
80	83	81	3.9	8	5.33	VMQ	VC2SLB2SS080-VMQ
100	102	100	3.9	8	5.33	VMQ	VC2SLB2SS100-VMQ
160	153	151	3.9	8	5.33	VMQ	VC2SLB2SS160-VMQ
200	213	211	3.9	8	5.33	VMQ	VC2SLB2SS200-VMQ
250	261	259	3.9	8	5.33	VMQ	VC2SLB2SS250-VMQ
320						VMQ	VC2SLB2SS320-VMQ
400						VMQ	VC2SLB2SS400-VMQ
500						VMQ	VC2SLB2SS500-VMQ
630						VMQ	VC2SLB2SS630-VMQ

ISO-K Seal Inner Centered With Mesh Screen



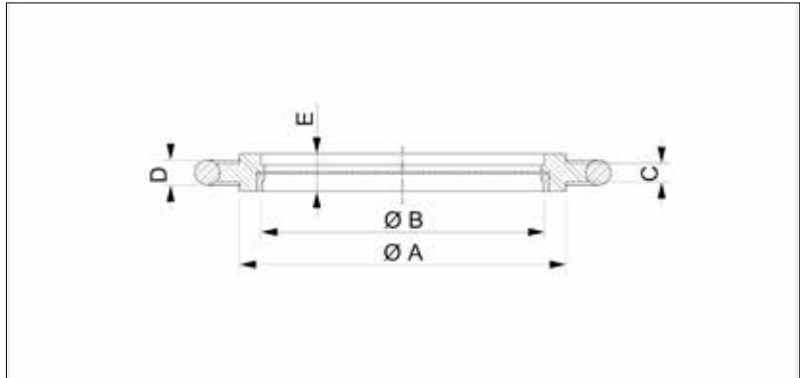
- Wire thickness: Approximately 0.3 mm
- Mesh: Approximately 1 mm
- Consider O-ring temperature ranges (See Properties of Elastomer Materials Table on Page 14)
- Various types of O-ring are available
- Seal Materials:

Aluminium EN AW-6082 T6

Stainless Steel 304/1.4301

Stainless Steel 316/1.4404

Dimensions



Aluminium EN AW-6082 T6/3.2315

- Temperature Range: -196 to 150 C°

Size (DN)	A (mm)	B (mm)	C (mm)	D (mm)	E (mm)	Mesh (mm)	Wire thickness (mm)	O-ring material	Order No
63	70	60	3.9	5.33	8	0.5	0.2	FKM	VC2SLC1AL063-FKM
80	83	73	3.9	5.33	8	0.6	0.2	FKM	VC2SLC1AL080-FKM
100	102	92	3.9	5.33	8	0.8	0.2	FKM	VC2SLC1AL100-FKM
160	153	143	3.9	5.33	8	1.2	0.2	FKM	VC2SLC1AL160-FKM
63	70	60	3.9	5.33	8	0.5	0.2	CR	VC2SLC1AL063-CR
80	83	73	3.9	5.33	8	0.6	0.2	CR	VC2SLC1AL080-CR
100	102	92	3.9	5.33	8	0.8	0.2	CR	VC2SLC1AL100-CR
160	153	143	3.9	5.33	8	1.2	0.2	CR	VC2SLC1AL160-CR
63	70	60	3.9	5.33	8	0.5	0.2	NBR	VC2SLC1AL063-NBR
80	83	73	3.9	5.33	8	0.6	0.2	NBR	VC2SLC1AL080-NBR
100	102	92	3.9	5.33	8	0.8	0.2	NBR	VC2SLC1AL100-NBR
160	153	143	3.9	5.33	8	1.2	0.2	NBR	VC2SLC1AL160-NBR
63	70	60	3.9	5.33	8	0.5	0.2	EPDM	VC2SLC1AL063-EPDM
80	83	73	3.9	5.33	8	0.6	0.2	EPDM	VC2SLC1AL080-EPDM
100	102	92	3.9	5.33	8	0.8	0.2	EPDM	VC2SLC1AL100-EPDM
160	153	143	3.9	5.33	8	1.2	0.2	EPDM	VC2SLC1AL160-EPDM
63	70	60	3.9	5.33	8	0.5	0.2	VMQ(SILICON)	VC2SLC1AL063-VMQ
80	83	73	3.9	5.33	8	0.6	0.2	VMQ(SILICON)	VC2SLC1AL080-VMQ
100	102	92	3.9	5.33	8	0.8	0.2	VMQ(SILICON)	VC2SLC1AL100-VMQ
160	153	143	3.9	5.33	8	1.2	0.2	VMQ(SILICON)	VC2SLC1AL160-VMQ

Stainless Steel 304/1.4301

• Temperature range: -196 to 300 °C

Size (DN)	A (mm)	B (mm)	C (mm)	D (mm)	E (mm)	Mesh (mm)	Wire thickness (mm)	O-ring material	Order No
63	70	60	3.9	5.33	8	0.5	0.2	FKM	VC2SLC1SS063-FKM
80	83	73	3.9	5.33	8	0.6	0.2	FKM	VC2SLC1SS080-FKM
100	102	92	3.9	5.33	8	0.8	0.2	FKM	VC2SLC1SS100-FKM
160	153	143	3.9	5.33	8	1.2	0.2	FKM	VC2SLC1SS160-FKM
63	70	60	3.9	5.33	8	0.5	0.2	CR	VC2SLC1SS063-CR
80	83	73	3.9	5.33	8	0.6	0.2	CR	VC2SLC1SS080-CR
100	102	92	3.9	5.33	8	0.8	0.2	CR	VC2SLC1SS100-CR
160	153	143	3.9	5.33	8	1.2	0.2	CR	VC2SLC1SS160-CR
63	70	60	3.9	5.33	8	0.5	0.2	NBR	VC2SLC1SS063-NBR
80	83	73	3.9	5.33	8	0.6	0.2	NBR	VC2SLC1SS080-NBR
100	102	92	3.9	5.33	8	0.8	0.2	NBR	VC2SLC1SS100-NBR
160	153	143	3.9	5.33	8	1.2	0.2	NBR	VC2SLC1SS160-NBR
63	70	60	3.9	5.33	8	0.5	0.2	EPDM	VC2SLC1SS063-EPDM
80	83	73	3.9	5.33	8	0.6	0.2	EPDM	VC2SLC1SS080-EPDM
100	102	92	3.9	5.33	8	0.8	0.2	EPDM	VC2SLC1SS100-EPDM
160	153	143	3.9	5.33	8	1.2	0.2	EPDM	VC2SLC1SS160-EPDM
63	70	60	3.9	5.33	8	0.5	0.2	VMQ(SILICON)	VC2SLC1SS063-VMQ
80	83	73	3.9	5.33	8	0.6	0.2	VMQ(SILICON)	VC2SLC1SS080-VMQ
100	102	92	3.9	5.33	8	0.8	0.2	VMQ(SILICON)	VC2SLC1SS100-VMQ
160	153	143	3.9	5.33	8	1.2	0.2	VMQ(SILICON)	VC2SLC1SS160-VMQ

Stainless Steel 316L/1.4404

• Temperature range: -196 to 350 °C

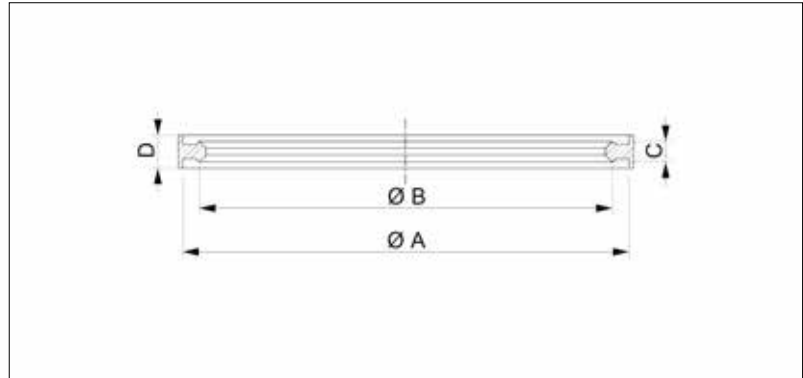
Size (DN)	A (mm)	B (mm)	C (mm)	D (mm)	E (mm)	Mesh (mm)	Wire thickness (mm)	O-ring material	Order No
63	70	60	3.9	5.33	8	0.5	0.2	FKM	VC2SLC2SS063-FKM
80	83	73	3.9	5.33	8	0.6	0.2	FKM	VC2SLC2SS080-FKM
100	102	92	3.9	5.33	8	0.8	0.2	FKM	VC2SLC2SS100-FKM
160	153	143	3.9	5.33	8	1.2	0.2	FKM	VC2SLC2SS160-FKM
63	70	60	3.9	5.33	8	0.5	0.2	CR	VC2SLC2SS063-CR
80	83	73	3.9	5.33	8	0.6	0.2	CR	VC2SLC2SS080-CR
100	102	92	3.9	5.33	8	0.8	0.2	CR	VC2SLC2SS100-CR
160	153	143	3.9	5.33	8	1.2	0.2	CR	VC2SLC2SS160-CR
63	70	60	3.9	5.33	8	0.5	0.2	NBR	VC2SLC2SS063-NBR
80	83	73	3.9	5.33	8	0.6	0.2	NBR	VC2SLC2SS080-NBR
100	102	92	3.9	5.33	8	0.8	0.2	NBR	VC2SLC2SS100-NBR
160	153	143	3.9	5.33	8	1.2	0.2	NBR	VC2SLC2SS160-NBR
63	70	60	3.9	5.33	8	0.5	0.2	EPDM	VC2SLC2SS063-EPDM
80	83	73	3.9	5.33	8	0.6	0.2	EPDM	VC2SLC2SS080-EPDM
100	102	92	3.9	5.33	8	0.8	0.2	EPDM	VC2SLC2SS100-EPDM
160	153	143	3.9	5.33	8	1.2	0.2	EPDM	VC2SLC2SS160-EPDM
63	70	60	3.9	5.33	8	0.5	0.2	VMQ(SILICON)	VC2SLC2SS063-VMQ
80	83	73	3.9	5.33	8	0.6	0.2	VMQ(SILICON)	VC2SLC2SS080-VMQ
100	102	92	3.9	5.33	8	0.8	0.2	VMQ(SILICON)	VC2SLC2SS100-VMQ
160	153	143	3.9	5.33	8	1.2	0.2	VMQ(SILICON)	VC2SLC2SS160-VMQ

ISO-K Edge Seal Outer Centered



- No gas permeation
- Cryo, Radiation tolerant and nuclear application
- Clean room application compatible
- For stainless steel flanges
- Fastener: ISO-K Claw Clamp for Metal Seals
- For single use only
- Material:
Aluminium EN AW-1050
Copper

Dimensions



Aluminium EN AW-1050

- Temperature Range: -196 to 150 C°

Size (DN)	A (mm)	B (mm)	C (mm)	D (mm)	Order No
63	95	88	4.5	7	VC2SLD2AL063
80	110	103	4.5	7	VC2SLD2AL080
100	130	123	4.5	7	VC2SLD2AL100
160	180	173	4.5	7	VC2SLD2AL160
200	240	233	4.5	7	VC2SLD2AL200
250	290	283	4.5	7	VC2SLD2AL250

Copper

- Temperature Range: -196 to 200 C°

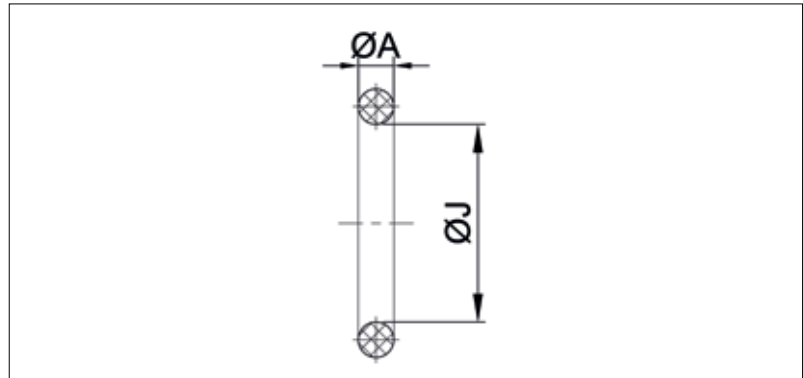
Size (DN)	A (mm)	B (mm)	C (mm)	D (mm)	Order No
63	95	88	4.5	7	VC2SLD1CU063
80	110	103	4.5	7	VC2SLD1CU080
100	130	123	4.5	7	VC2SLD1CU100
160	180	173	4.5	7	VC2SLD1CU160
200	240	233	4.5	7	VC2SLD1CU200
250	290	283	4.5	7	VC2SLD1CU250

ISO-K/F O-ring

- Various types of O-ring seals are available.



Dimensions



FKM

- Temperature range: -196 to 350 °C

Size (DN)	J (mm)	ØA(mm)	Order No
63	76	5,33	VCA07B1EL063
80	88,27	5,33	VCA07B1EL080
100	107	5,33	VCA07B1EL100
160	158	5,3	VCA07B1EL160
200	209	5,33	VCA07B1EL200
250	253	5,33	VCA07B1EL250
320	317	7	VCA07C1EL320
400	405	7	VCA07C1EL400
500	507	7	VCA07C1EL500
630	659	7	VCA07C1EL630

CR

- Temperature range: -196 to 350 °C

Size (DN)	J (mm)	ØA(mm)	Order No
63	76	5,33	VCA07B2EL063
80	88,27	5,33	VCA07B2EL080
100	107	5,33	VCA07B2EL100
160	158	5,3	VCA07B2EL160
200	209	5,33	VCA07B2EL200
250	253	5,33	VCA07B2EL250
320	317	7	VCA07C2EL320
400	405	7	VCA07C2EL400
500	507	7	VCA07C2EL500
630	659	7	VCA07C2EL630

NBR

- Temperature range: -25 to 120 °C

Size (DN)	J (mm)	ØA(mm)	Order No
63	76	5,33	VCA07B3EL063
80	88,27	5,33	VCA07B3EL080
100	107	5,33	VCA07B3EL100
160	158	5,3	VCA07B3EL160
200	209	5,33	VCA07B3EL200
250	253	5,33	VCA07B3EL250
320	317	7	VCA07C3EL320
400	405	7	VCA07C3EL400
500	507	7	VCA07C3EL500
630	659	7	VCA07C3EL630

EPDM

- Temperature range: -25 to 120 °C

Size (DN)	J (mm)	ØA(mm)	Order No
63	76	5,33	VCA07B4EL063
80	88,27	5,33	VCA07B4EL080
100	107	5,33	VCA07B4EL100
160	158	5,3	VCA07B4EL160
200	209	5,33	VCA07B4EL200
250	253	5,33	VCA07B4EL250
320	317	7	VCA07C4EL320
400	405	7	VCA07C4EL400
500	507	7	VCA07C4EL500
630	659	7	VCA07C4EL630

VMQ SILICON

- Temperature range: -25 to 120 °C

Size (DN)	J (mm)	ØA(mm)	Order No
63	76	5,33	VCA07B5EL063
80	88,27	5,33	VCA07B5EL080
100	107	5,33	VCA07B5EL100
160	158	5,3	VCA07B5EL160
200	209	5,33	VCA07B5EL200
250	253	5,33	VCA07B5EL250
320	317	7	VCA07C5EL320
400	405	7	VCA07C5EL400
500	507	7	VCA07C5EL500
630	659	7	VCA07C5EL630

ISO-K / ISO-F Clamps

This part consists of ISO K/F Clamps.
Check out this section for products NW 63 - 630

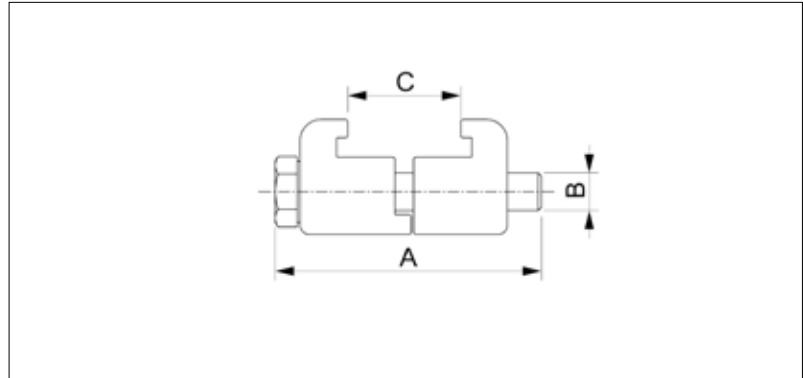


ISO-K Double Claw Clamp



- Suitable for use with elastomer seals
- Bolt: A2-70 stainless steel
- Do not use in turbo pump assembly
- Torque (max)
DN63-250: 16 Nm, DN320-630: 26 Nm
- Pressure Range: Elastomer seal: 10^{-7} mbar to 2.5 bar

Dimensions



Aluminium EN AW-6082/3.2315

- Temperature Range: -196 to 200 C°

Size (DN)	A (mm)	B	C (mm)	Order No
63-100	50	M8	24 mm- 27 mm	VC2CLA1AL100
160-250	52	M10	27 mm- 32 mm	VC2CLA1AL250
320-500	65	M12	32 mm- 38 mm	VC2CLA1AL500

Stainless Steel 304/1.4301

- Temperature range: -196 to 300 °C

Size (DN)	A (mm)	B	C (mm)	Order No
63-250	61.5	M10	15 mm- 27 mm	VC2CLA1SS250
320-500	75	M12	27 mm- 33 mm	VC2CLA1SS500
630	85	M12	36 mm- 44 mm	VC2CLA1SS630

Stainless Steel 316L/1.4404

- Temperature range: -196 to 350 °C

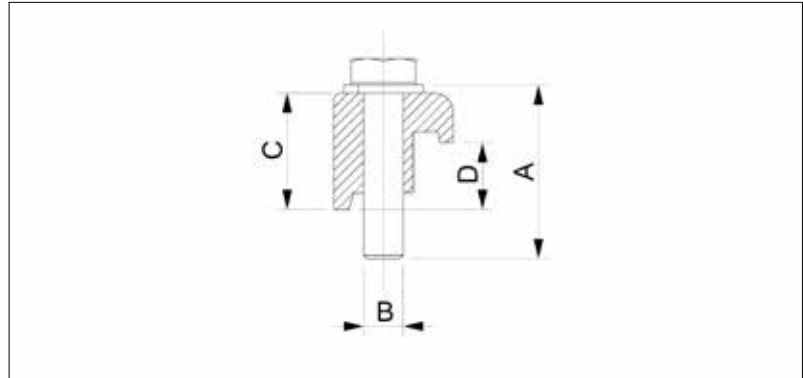
Size (DN)	A (mm)	B	C (mm)	Order No
63-250	61.5	M10	15 mm- 27 mm	VC2CLA2SS250
320-500	75	M12	27 mm- 33 mm	VC2CLA2SS500
630	85	M12	36 mm- 44 mm	VC2CLA2SS630

ISO-K Claw Clamp



- Suitable for use with elastomer seals and metal seals
- Aluminum version: Suitable for use with elastomer seals
- For installing on a base plate with ISO-K centering ring
- Bolt: A2-70 stainless steel
- Do not use in turbo pump assembly
- Torque (max)
DN63-250: 16 Nm, DN320-630: 26 Nm
- Pressure Range: Elastomer seal: 10^{-7} mbar to 2.5 bar

Dimensions



Aluminium EN AW-6082/3.2315

- Temperature Range: -196 to 200 C°

Size (DN)	A (mm)	B (mm)	C (mm)	D (mm)	Order No
63-100	35	M8	23	14	VC2CLB1AL100
160-250	35	M10	23	14	VC2CLB1AL250
320-500	50	M12	30	21	VC2CLB1AL500

Stainless Steel 304/1.4301

- Temperature range: -196 to 300 °C

Size (DN)	A (mm)	B (mm)	C (mm)	D (mm)	Order No
63-100	35	M8	23	14	VC2CLB1SS100
160-250	35	M10	23	14	VC2CLB1SS250
320-500	50	M12	30	21	VC2CLB1SS500

Stainless Steel 316L/1.4404

- Temperature range: -196 to 350 °C

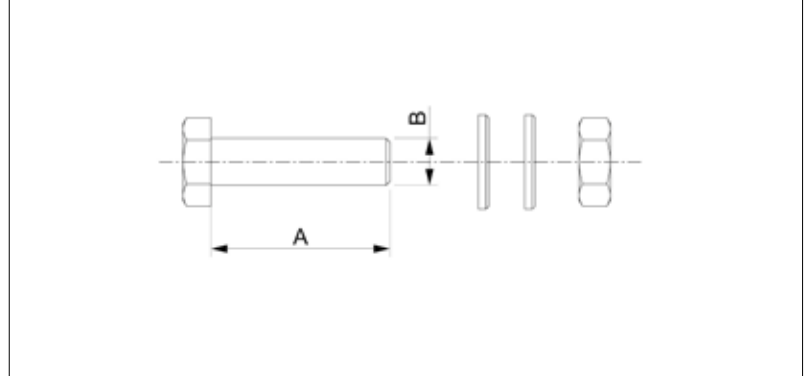
Size (DN)	A (mm)	B (mm)	C (mm)	D (mm)	Order No
63-100	35	M8	23	14	VC2CLB2SS100
160-250	35	M10	23	14	VC2CLB2SS250
320-500	50	M12	30	21	VC2CLB2SS500

ISO-F Screw Set



- Suitable for use with metal and elastomer seals
- Package include: One hexagon bolt, two washers and one nut
- These bolt packages fit ISO-F flanges for tapped ISO-F flanges: Include bolts and washers.

Dimensions



Stainless Steel A2-70

Size (DN)	A (mm)	B (mm)	Package (Qty.)	Order No
63-100	40	M8	8	VC.03.01.02.014.001
160-250	50	M10	12	VC.03.01.02.014.002
320-500	65	M12	16	VC.03.01.02.014.003
630	70	M12	20	VC.03.01.02.014.004

Zinc-plated Steel

Property Class 8.8

Size (DN)	A (mm)	B (mm)	Package (Qty.)	Order No
63-100	40	M8	8	VC.03.01.05.005.001
160-250	50	M10	12	VC.03.01.05.005.002
320-500	65	M12	16	VC.03.01.05.005.003
630	70	M12	20	VC.03.01.05.005.004

ISO-K / ISO-F Fittings

This part consists of K/F Clamps.
Check out this section for products NW 63-630



ISO-K Straight Reducer



• Materials:

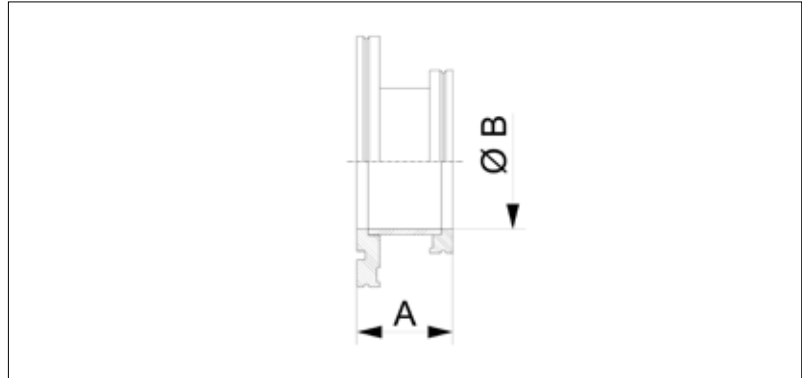
Stainless Steel 304/1.4301

Stainless Steel 316L/1.4404

• Pressure range: $1 \cdot 10^{-8}$ mbar to 500 mbar over pressure (elastomer seal)

$1 \cdot 10^{-9}$ mbar to 500 mbar over pressure (metal seal)

Dimensions



Stainless Steel 304/1.4301

• Temperature range: -196 to 300 °C

Flange Size (DN)	Reducer Flange Size (DN)	A (mm)	B (mm)	Order No
100	63	50	70	VC2FTA1SS100-63-50
160	63	50	70	VC2FTA1SS160-63-50
160	100	50	102	VC2FTA1SS160-100-50
200	100	50	102	VC2FTA1SS200-100-50
200	160	50	153	VC2FTA1SS200-160-50
250	160	50	153	VC2FTA1SS250-160-50
250	200	50	213	VC2FTA1SS250-200-50

Stainless Steel 316L/1.4404

• Temperature range: -196 to 350 °C

Flange Size (DN)	Reducer Flange Size (DN)	A (mm)	B (mm)	Order No
100	63	50	70	VC2FTA2SS100-63-50
160	63	50	70	VC2FTA2SS160-63-50
160	100	50	102	VC2FTA2SS160-100-50
200	100	50	102	VC2FTA2SS200-100-50
200	160	50	153	VC2FTA2SS200-160-50
250	160	50	153	VC2FTA2SS250-160-50
250	200	50	213	VC2FTA2SS250-200-50

ISO-K Conical Reducer



• Materials:

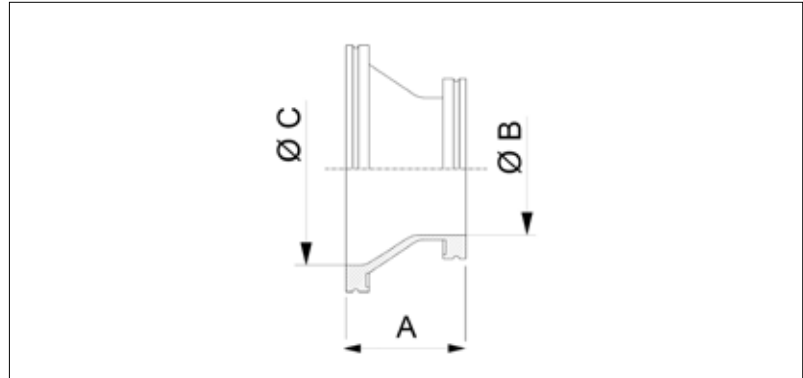
Stainless Steel 304/1.4301

Stainless Steel 316L/1.4404

• Pressure range: $1 \cdot 10^{-8}$ mbar to 500 mbar over pressure (elastomer seal)

$1 \cdot 10^{-9}$ mbar to 500 mbar over pressure (metal seal)

Dimensions



Stainless Steel 304/1.4301

• Temperature range: -196 to 300 °C

Flange Size (DN)	Reducer Flange Size (DN)	A (mm)	B (mm)	C(mm)	Order No
100	63	63	70	102	VC2FTB1SS100-63-63
160	63	63	70	153	VC2FTB1SS160-63-63
160	100	104	102	153	VC2FTB1SS160-100-104

Stainless Steel 316L/1.4404

• Temperature range: -196 to 350 °C

Flange Size (DN)	Reducer Flange Size (DN)	A (mm)	B (mm)	C(mm)	Order No
100	63	63	70	102	VC2FTB2SS100-63-63
160	63	63	70	153	VC2FTB2SS160-63-63
160	100	104	102	153	VC2FTB2SS160-100-104

ISO-K Tee



• Materials:

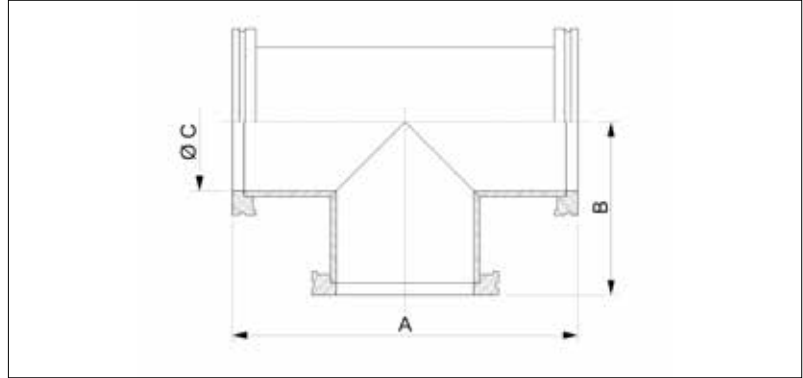
Stainless Steel 304/1.4301

Stainless Steel 316L/1.4404

• Pressure range: $1 \cdot 10^{-8}$ mbar to 500 mbar over pressure (elastomer seal)

$1 \cdot 10^{-9}$ mbar to 500 mbar over pressure (metal seal)

Dimensions



Stainless Steel 304/1.4301

• Temperature range: -196 to 300 °C

Flange Size (DN)	A (mm)	B (mm)	C(mm)	Order No
63	176	88	70	VC2FTC1SS063-176
100	216	108	102	VC2FTC1SS100-216
160	276	138	153	VC2FTC1SS160-276
200	356	178	213	VC2FTC1SS200-356
250	416	208	261	VC2FTC1SS250-416

Stainless Steel 316L/1.4404

• Temperature range: -196 to 350 °C

Flange Size (DN)	A (mm)	B (mm)	C(mm)	Order No
63	176	88	70	VC2FTC2SS063-176
100	216	108	102	VC2FTC2SS100-216
160	276	138	153	VC2FTC2SS160-276
200	356	178	213	VC2FTC2SS200-356
250	416	208	261	VC2FTC2SS250-416

ISO-K Reducer Tee



• Materials:

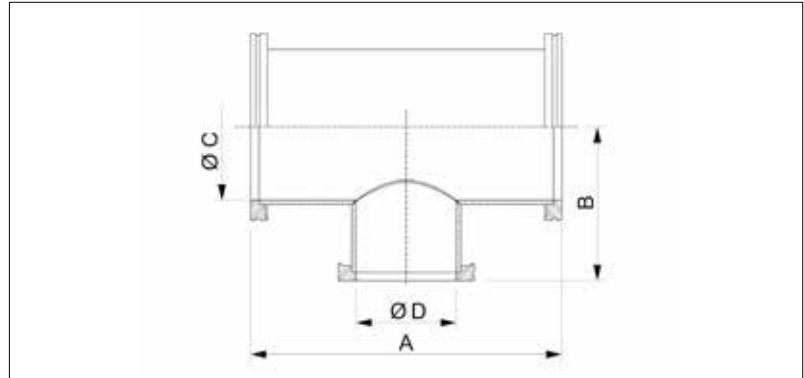
Stainless Steel 304/1.4301

Stainless Steel 316L/1.4404

• Pressure range: $1 \cdot 10^{-8}$ mbar to 500 mbar over pressure (elastomer seal)

$1 \cdot 10^{-9}$ mbar to 500 mbar over pressure (metal seal)

Dimensions



Stainless Steel 304/1.4301

• Temperature range: -196 to 300 °C

Flange Size (DN)	Reducer Flange Size (DN)	A (mm)	B (mm)	C (mm)	D (mm)	Order No
100	63	216	107	102	70	VC2FTD1SS100-063-216
160	63	276	130	153	70	VC2FTD1SS160-063-276
160	100	276	131	153	102	VC2FTD1SS160-100-276

Stainless Steel 316L/1.4404

• Temperature range: -196 to 350 °C

Flange Size (DN)	Reducer Flange Size (DN)	A (mm)	B (mm)	C (mm)	D (mm)	Order No
100	63	216	107	102	70	VC2FTD2SS100-063-216
160	63	276	130	153	70	VC2FTD2SS160-063-276
160	100	276	131	153	102	VC2FTD2SS160-100-276

ISO-K to KF Reducer Tee



- Materials:

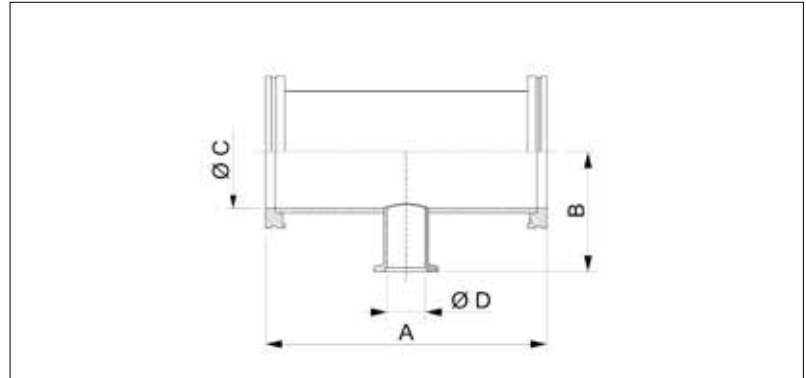
Stainless Steel 304/1.4301

Stainless Steel 316L/1.4404

- Pressure range: $1 \cdot 10^{-8}$ mbar to 500 mbar over pressure (elastomer seal)

- $1 \cdot 10^{-9}$ mbar to 500 mbar over pressure (metal seal)

Dimensions



Stainless Steel 304/1.4301

- Temperature range: -196 to 300 °C

Flange Size (DN)	Reducer Flange Size (DN)	A (mm)	B (mm)	C (mm)	D (mm)	Order No
63	25	176	75	70	24	VC2FTE1SS063-025-176
63	40	176	75	70	40.5	VC2FTE1SS063-040-176
100	25	216	100	102	24	VC2FTE1SS100-025-216
100	40	216	100	102	40.5	VC2FTE1SS100-040-216
160	25	276	125	153	24	VC2FTE1SS160-025-276
160	40	276	125	153	40.5	VC2FTE1SS160-040-276

Stainless Steel 316L/1.4404

- Temperature range: -196 to 350 °C

Flange Size (DN)	Reducer Flange Size (DN)	A (mm)	B (mm)	C (mm)	D (mm)	Order No
63	25	176	75	70	24	VC2FTE2SS063-025-176
63	40	176	75	70	40.5	VC2FTE2SS063-040-176
100	25	216	100	102	24	VC2FTE2SS100-025-216
100	40	216	100	102	40.5	VC2FTE2SS100-040-216
160	25	276	125	153	24	VC2FTE2SS160-025-276
160	40	276	125	153	40.5	VC2FTE2SS160-040-276

ISO-K Elbow Radius 90



• Materials:

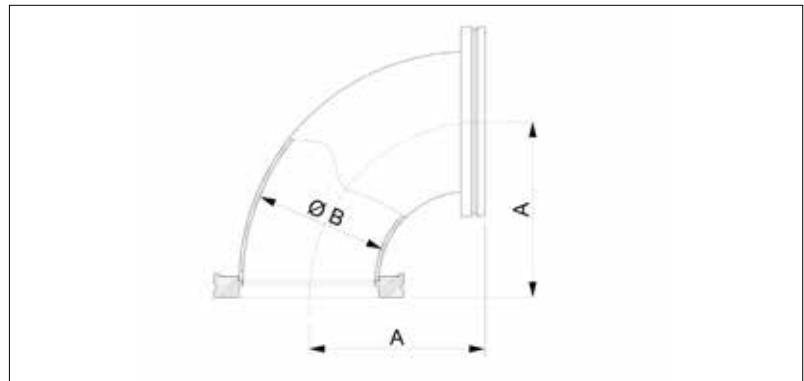
Stainless Steel 304/1.4301

Stainless Steel 316L/1.4404

• Pressure range: $1 \cdot 10^{-8}$ mbar to 500 mbar over pressure (elastomer seal)

$1 \cdot 10^{-9}$ mbar to 500 mbar over pressure (metal seal)

Dimensions



Stainless Steel 304/1.4301

• Temperature range: -196 to 300 °C

Flange Size (DN)	A (mm)	B (mm)	Order No
63	101	66	VC2FTF1SS063-90-86
100	108	100	VC2FTF1SS100-90-106
160	232	150	VC2FTF1SS160-90-231

Stainless Steel 316L/1.4404

• Temperature range: -196 to 350 °C

Flange Size (DN)	A (mm)	B (mm)	Order No
63	101	66	VC2FTF2SS063-90-86
100	108	100	VC2FTF2SS100-90-106
160	232	150	VC2FTF2SS160-90-231

ISO-K Elbow 90



• Materials:

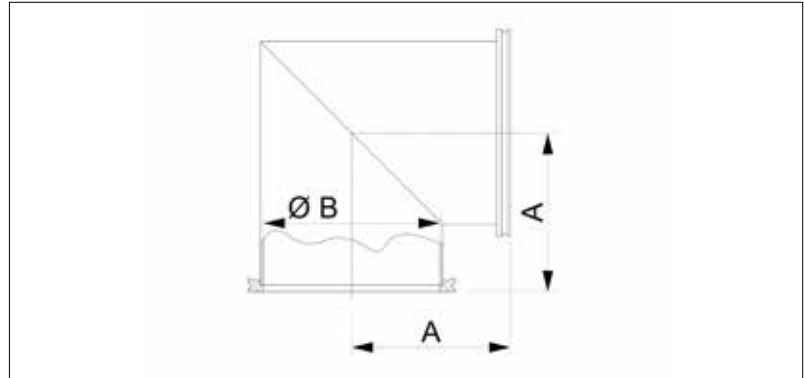
Stainless Steel 304/1.4301

Stainless Steel 316L/1.4404

• Pressure range: $1 \cdot 10^{-8}$ mbar to 500 mbar over pressure (elastomer seal)

$1 \cdot 10^{-9}$ mbar to 500 mbar over pressure (metal seal)

Dimensions



Stainless Steel 304/1.4301

• Temperature range: -196 to 300 °C

Flange Size (DN)	A (mm)	B (mm)	Order No
160	138	153	VC2FTG1SS160-90-138
200	178	213	VC2FTG1SS200-90-178
250	208	261	VC2FTG1SS250-90-208

Stainless Steel 316L/1.4404

• Temperature range: -196 to 350 °C

Flange Size (DN)	A (mm)	B (mm)	Order No
160	138	153	VC2FTG2SS160-90-138
200	178	213	VC2FTG2SS200-90-178
250	208	261	VC2FTG2SS250-90-208

ISO-K 4 Way Cross



• Materials:

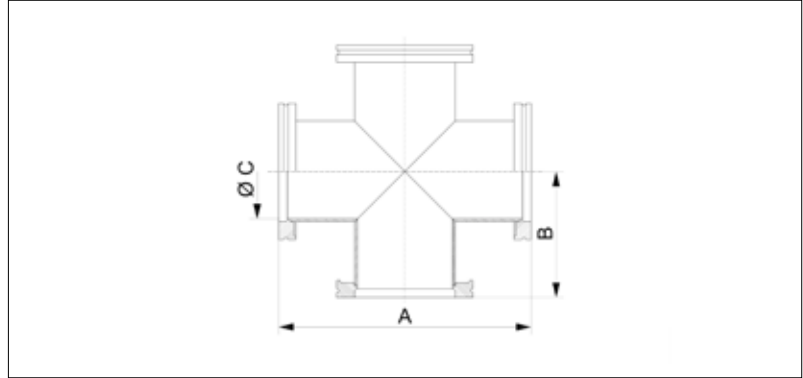
Stainless Steel 304/1.4301

Stainless Steel 316L/1.4404

• Pressure range: $1 \cdot 10^{-8}$ mbar to 500 mbar over pressure (elastomer seal)

$1 \cdot 10^{-9}$ mbar to 500 mbar over pressure (metal seal)

Dimensions



Stainless Steel 304/1.4301

• Temperature range: -196 to 300 °C

Flange Size (DN)	A (mm)	B (mm)	C (mm)	Order No
63	176	88	66	VC2FTH1SS063-176
100	216	108	100	VC2FTH1SS100-216
160	276	138	153	VC2FTH1SS160-276
200	356	178	213	VC2FTH1SS200-356
250	416	208	261	VC2FTH1SS250-416

Stainless Steel 316L/1.4404

• Temperature range: -196 to 350 °C

Flange Size (DN)	A (mm)	B (mm)	C (mm)	Order No
63	176	88	66	VC2FTH2SS063-176
100	216	108	100	VC2FTH2SS100-216
160	276	138	153	VC2FTH2SS160-276
200	356	178	213	VC2FTH2SS200-356
250	416	208	261	VC2FTH2SS250-416

ISO-K Reducer Cross



• Materials:

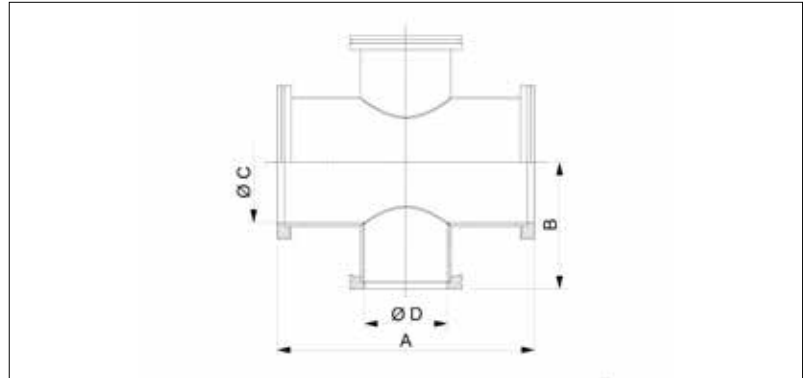
Stainless Steel 304/1.4301

Stainless Steel 316L/1.4404

• Pressure range: $1 \cdot 10^{-8}$ mbar to 500 mbar over pressure (elastomer seal)

$1 \cdot 10^{-9}$ mbar to 500 mbar over pressure (metal seal)

Dimensions



Stainless Steel 304/1.4301

• Temperature range: -196 to 300 °C

Flange Size (DN)	Nominal diameter reduced	A (mm)	B (mm)	C (mm)	D (mm)	Order No
100	63	216	107	102	70	VC2FTI1SS100-063-216
160	63	276	130	153	70	VC2FTI1SS160-063-276
160	100	276	130	153	102	VC2FTI1SS160-100-276

Stainless Steel 316L/1.4404

• Temperature range: -196 to 350 °C

Flange Size (DN)	Nominal diameter reduced	A (mm)	B (mm)	C (mm)	D (mm)	Order No
100	63	216	107	102	70	VC2FTI2SS100-063-216
160	63	276	130	153	70	VC2FTI2SS160-063-276
160	100	276	130	153	102	VC2FTI2SS160-100-276

ISO-K to KF Adapter Cross



- Materials:

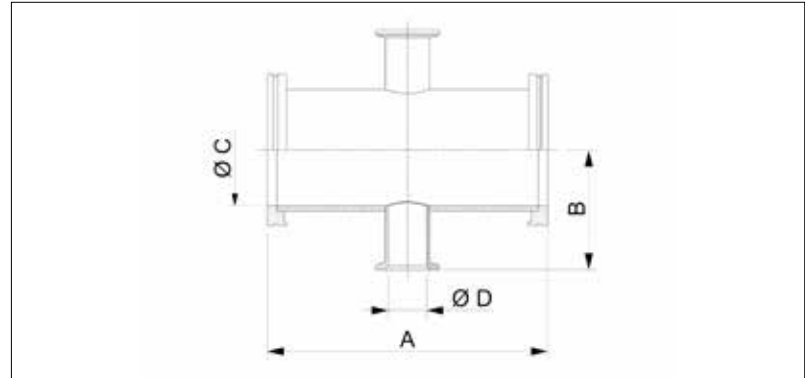
Stainless Steel 304/1.4301

Stainless Steel 316L/1.4404

- Pressure range: $1 \cdot 10^{-8}$ mbar to 500 mbar over pressure (elastomer seal)

- $1 \cdot 10^{-9}$ mbar to 500 mbar over pressure (metal seal)

Dimensions



Stainless Steel 304/1.4301

- Temperature range: -196 to 300 °C

Flange Size (DN)	Reducer Flange Size (DN)	A (mm)	B (mm)	C (mm)	D (mm)	Order No
63	25	176	75	70	24	VC2FTK1SS063-025-176
63	40	176	75	70	40.5	VC2FTK1SS063-040-176
100	25	216	100	102	24	VC2FTK1SS100-025-216
100	40	216	100	102	40.5	VC2FTK1SS100-040-216
160	25	276	125	153	24	VC2FTK1SS160-025-276
160	40	276	125	153	40.5	VC2FTK1SS160-040-276

Stainless Steel 316L/1.4404

- Temperature range: -196 to 350 °C

Flange Size (DN)	Reducer Flange Size (DN)	A (mm)	B (mm)	C (mm)	D (mm)	Order No
63	25	176	75	70	24	VC2FTK2SS063-025-176
63	40	176	75	70	40.5	VC2FTK2SS063-040-176
100	25	216	100	102	24	VC2FTK2SS100-025-216
100	40	216	100	102	40.5	VC2FTK2SS100-040-216
160	25	276	125	153	24	VC2FTK2SS160-025-276
160	40	276	125	153	40.5	VC2FTK2SS160-040-276

ISO-K / ISO-F Adapters

This part consists of Large KF Adapters.
Check out this section for products NW 63-630

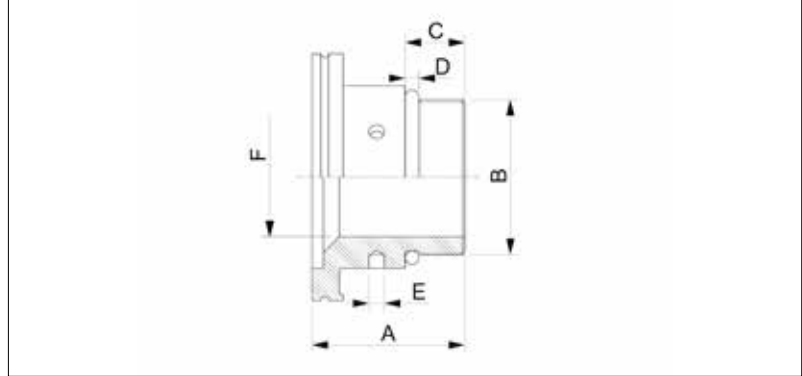


ISO-K Flange With Pipe Thread and FKM Seal, Male



- O-ring Material: FKM
- Temperature range: -15 to 150 °C (Consider O-ring temperature ranges.)

Dimensions



Stainless Steel 304/1.4301

- Temperature range: -196 to 300 °C

Flange Size (DN)	A (mm)	B (mm)	C (mm)	D (mm)	E (mm)	F (mm)	Order No
63	59	G2"	23	5	6	48	VC2ADA1SS063-15-59
63	60	G3"	23	5	6	50	VC2ADA1SS063-22-60
100	60	G3"	23	5	6	70	VC2ADA1SS100-22-60

Stainless Steel 316L/1.4404

- Temperature range: -196 to 350 °C

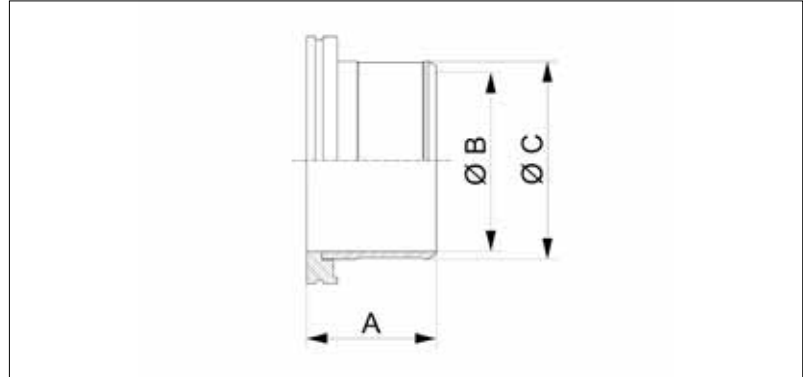
Flange Size (DN)	A (mm)	B (mm)	C (mm)	D (mm)	E (mm)	F (mm)	Order No
63	59	G2"	23	5	6	48	VC2ADA2SS063-15-59
63	60	G3"	23	5	6	50	VC2ADA2SS063-22-60
100	60	G3"	23	5	6	70	VC2ADA2SS100-22-60

ISO-K Hose Adapter



- Materials:
Stainless Steel 304/1.4301
Stainless Steel 316L/1.4404
- For connecting a PVC hose or a CR sleeve

Dimensions



Stainless Steel 304/1.4301

- Temperature range: -196 to 300 °C

Flange Size (DN)	A (mm)	B (mm)	C (mm)	Order No
63	50	70	76,1	VC2ADB1SS063-50
100	50	95	101,6	VC2ADB1SS100-50

Stainless Steel 316L/1.4404

- Temperature range: -196 to 350 °C

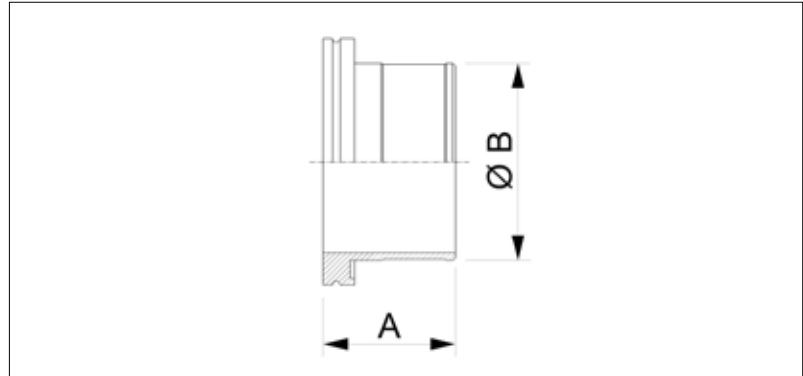
Flange Size (DN)	A (mm)	B (mm)	C (mm)	Order No
63	50	70	76,1	VC1ADB2SS010-14-40
100	50	95	101,6	VC1ADB2SS016-16-28

ISO-K Sleeve Adapter



- Material
Aluminium EN AW-6082 T6
For connecting a CR sleeve

Dimensions



Aluminium EN AW-6082 T6/3.2315

- Temperature Range: -196 to 150 C°

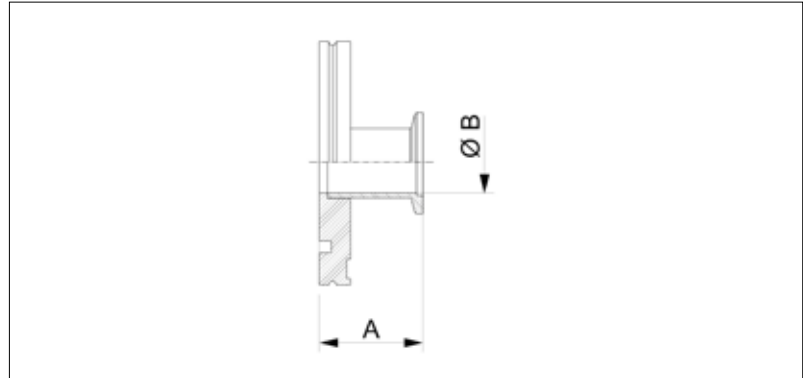
Flange Size (DN)	A (mm)	B (mm)	Order No
63	51	76	VC2ADC1AL063-51
100	56	108	VC2ADC1AL100-56
160	56	159	VC2ADC1AL160-56

ISO-K to KF Straight Adapter



- Other nominal diameters and dimensions on request
- Pressure range: $1 \cdot 10^{-8}$ mbar to ambient pressure (elastomer seal)
 $1 \cdot 10^{-9}$ mbar to ambient pressure (metal seal)
- Materials:
Stainless Steel 304/1.4301
Stainless Steel 316/1.4404

Dimensions



Stainless Steel 304/1.4301

- Temperature range: -196 to 300 °C

Flange Size (DN)	Reducer Flange Size (DN)	A (mm)	B (mm)	Order No
63	25	40	24	VC2ADD1SS063-025-40
63	40	40	40.5	VC2ADD1SS063-040-40
63	50	40	50.6	VC2ADD1SS063-050-40
100	25	40	24	VC2ADD1SS100-025-40
100	40	40	40.5	VC2ADD1SS100-040-40
100	50	40	50.6	VC2ADD1SS100-050-40
160	40	40	40.5	VC2ADD1SS160-040-40
160				VC2ADD1SS160-050-40
160				VC2ADD1SS160-063-40

Stainless Steel 316L/1.4404

- Temperature range: -196 to 350 °C

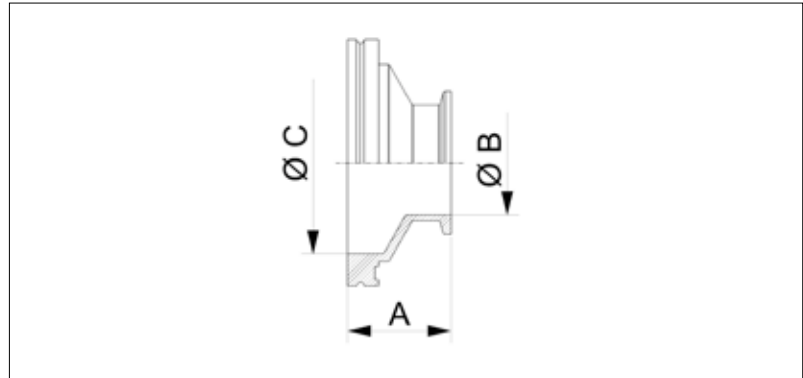
Flange Size (DN)	Reducer Flange Size (DN)	A (mm)	B (mm)	Order No
63	25	40	24	VC2ADD2SS063-025-40
63	40	40	40.5	VC2ADD2SS063-040-40
63	50	40	50.6	VC2ADD2SS063-050-40
100	25	40	24	VC2ADD2SS100-025-40
100	40	40	40.5	VC2ADD2SS100-040-40
100	50	40	50.6	VC2ADD2SS100-050-40
160	40	40	40.5	VC2ADD2SS160-040-40
				VC2ADD2SS160-050-40
				VC2ADD2SS160-063-40

ISO-K to KF Conical Adapter



- Other nominal diameters and dimensions on request
- Pressure range: $1 \cdot 10^{-8}$ mbar to ambient pressure (elastomer seal)
 $1 \cdot 10^{-9}$ mbar to ambient pressure (metal seal)
- Elastomer seals are available for EN AW-6082 T6/3.2315

Dimensions



Aluminium EN AW-6082 T6/3.2315

- Temperature Range: -196 to 150 C°

ISO-K Flange Size (DN)	ISO-KF Reducer Flange Size (DN)	A (mm)	B (mm)	C (mm)	Order No
63	25	63	24	70	VC2ADE1AL063-025-63
63	40	63	40.5	70	VC2ADE1AL063-040-63
63	50	63	50	70	VC2ADE1AL063-050-63
100	40	63	40.5	102	VC2ADE1AL100-040-63
100	50	63	50	102	VC2ADE1AL100-050-63

Stainless Steel 304/1.4301

- Temperature range: -196 to 300 °C

ISO-K Flange Size (DN)	ISO-KF Reducer Flange Size (DN)	A (mm)	B (mm)	C (mm)	Order No
63	25	63	24	70	VC2ADE1SS063-025-63
63	40	63	40.5	70	VC2ADE1SS063-040-63
63	50	63	50	70	VC2ADE1SS063-050-63
100	40	63	40.5	102	VC2ADE1SS100-040-63
100	50	63	50	102	VC2ADE1SS100-050-63

Stainless Steel 316L/1.4404

- Temperature range: -196 to 350 °C

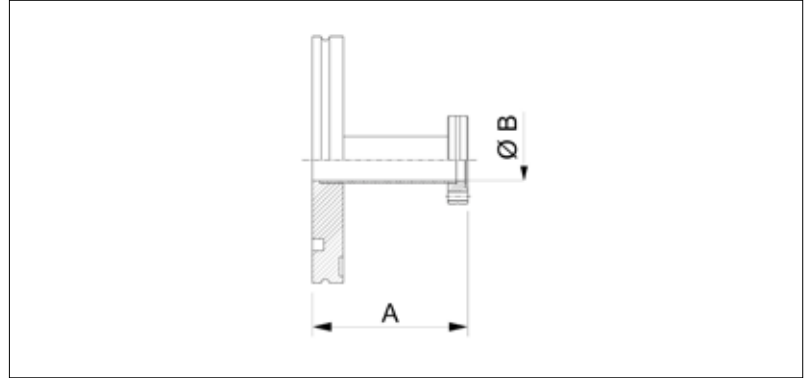
ISO-K Flange Size (DN)	ISO-KF Reducer Flange Size (DN)	A (mm)	B (mm)	C (mm)	Order No
63	25	63	24	70	VC2ADE2SS063-025-63
63	40	63	40.5	70	VC2ADE2SS063-040-63
63	50	63	50	70	VC2ADE2SS063-050-63
100	40	63	40.5	102	VC2ADE2SS100-040-63
100	50	63	50	102	VC2ADE2SS100-050-63

ISO-K to CF Adapter



- Other nominal diameters and dimensions on request
- Pressure range: $1 \cdot 10^{-8}$ mbar to ambient pressure (elastomer seal); $1 \cdot 10^{-9}$ mbar to ambient pressure (metal seal)
- Materials:
Stainless Steel 304/1.4301
Stainless Steel 316L/1.4404

Dimensions



Stainless Steel 304/1.4301

- Temperature range: -196 to 300 °C

CF Reducer Flang Size (DN)	ISO-K Flange Size (DN)	A (mm)	B (mm)	Order No
63	16	60	16	VC2ADF1SS063-016-60
63	40	70	37	VC2ADF1SS063-040-70
63	63	90	66	VC2ADF1SS063-063-90
100	100	90	102	VC2ADF1SS100-100-90
160	160	100	153	VC2ADF1SS160-160-100

Stainless Steel 316L/1.4404

- Temperature range: -196 to 350 °C

CF Reducer Flang Size (DN)	ISO-K Flange Size (DN)	A (mm)	B (mm)	Order No
63	16	60	16	VC2ADF2SS063-016-60
63	40	70	37	VC2ADF2SS063-040-70
63	63	90	66	VC2ADF2SS063-063-90
100	100	90	102	VC2ADF2SS100-100-90
160	160	100	153	VC2ADF2SS160-160-100

ISO-K / ISO-F Hoses

This part consists of ISO-K/F Hoses.
Check out this section for products NW 63-630

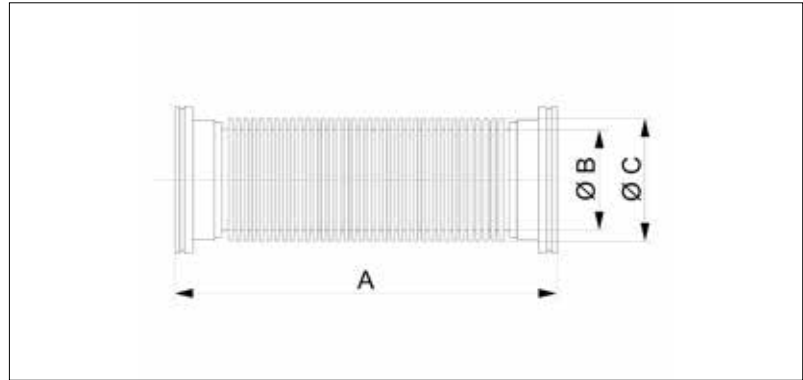


ISO-K Flexible Hose



- Flange connection length: 30 mm
- Custom lengths on request
- Pressure range: $1 \cdot 10^{-8}$ mbar to 500 mbar
- Materials:
Stainless Steel 304/1.4301
Stainless Steel 316L/1.4404

Dimensions



Stainless Steel 304/1.4301

- Temperature range: -196 to 300 °C

Flange Size (DN)	A (mm)	B (mm)	C (mm)	Bend radius, unique movement (mm)	Over pressure max. (hPa)	Order No
63	250	65	80	90	500	VC2HSA1SS063-250
63	500	65	80	90	500	VC2HSA1SS063-500
63	750	65	80	90	500	VC2HSA1SS063-750
63	1000	65	80	90	500	VC2HSA1SS063-1000
63	1500	65	80	90	500	VC2HSA1SS063-1500
100	250	100	119	131	300	VC2HSA1SS100-250
100	500	100	119	131	300	VC2HSA1SS100-500
100	750	100	119	131	300	VC2HSA1SS100-750
100	1000	100	119	131	300	VC2HSA1SS100-1000
100	1500	100	119	131	300	VC2HSA1SS100-1500
160	250	150	173	216	100	VC2HSA1SS160-250
160	500	150	173	216	100	VC2HSA1SS160-500
160	750	150	173	216	100	VC2HSA1SS160-750
160	1000	150	173	216	100	VC2HSA1SS160-1000
160	1500	150	173	216	100	VC2HSA1SS160-1500

Stainless Steel 316L/1.4404

- Temperature range: -196 to 350 °C

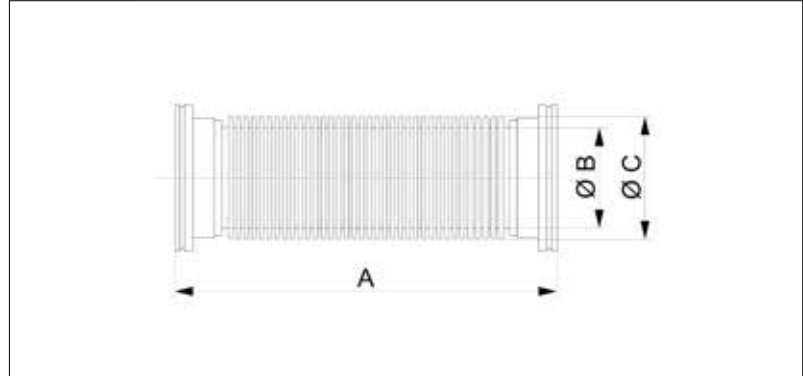
Flange Size (DN)	A (mm)	B (mm)	C (mm)	Bend radius, unique movement (mm)	Over pressure max. (hPa)	Order No
63	250	65	80	90	500	VC2HSA2SS063-250
63	500	65	80	90	500	VC2HSA2SS063-500
63	750	65	80	90	500	VC2HSA2SS063-750
63	1000	65	80	90	500	VC2HSA2SS063-1000
63	1500	65	80	90	500	VC2HSA2SS063-1500
100	250	100	119	131	300	VC2HSA2SS100-250
100	500	100	119	131	300	VC2HSA2SS100-500
100	750	100	119	131	300	VC2HSA2SS100-750
100	1000	100	119	131	300	VC2HSA2SS100-1000
100	1500	100	119	131	300	VC2HSA2SS100-1500
160	250	150	173	216	100	VC2HSA2SS160-250
160	500	150	173	216	100	VC2HSA2SS160-500
160	750	150	173	216	100	VC2HSA2SS160-750
160	1000	150	173	216	100	VC2HSA2SS160-1000
160	1500	150	173	216	100	VC2HSA2SS160-1500

ISO-K Flexible Hose, Annealed



- Lightly-stressed hose (low reset force at the time of bending)
- Flange connection length: 30 mm (Custom lengths on request)
- Pressure range: $1 \cdot 10^{-8}$ mbar to 500 mbar
- Materials:
Stainless Steel 304/1.4301
Stainless Steel 316L/1.4404

Dimensions



Stainless Steel 304/1.4301

- Temperature range: -196 to 300 °C

Flange Size (DN)	A (mm)	B (mm)	C (mm)	Bend radius, unique movement (mm)	Over pressure max. (hPa)	Order No
63	250	65	80	90	500	VC2HSB1SS063-250
63	500	65	80	90	500	VC2HSB1SS063-500
63	750	65	80	90	500	VC2HSB1SS063-750
63	1000	65	80	90	500	VC2HSB1SS063-1000
63	1500	65	80	90	500	VC2HSB1SS063-1500
100	250	100	119	131	300	VC2HSB1SS100-250
100	500	100	119	131	300	VC2HSB1SS100-500
100	750	100	119	131	300	VC2HSB1SS100-750
100	1000	100	119	131	300	VC2HSB1SS100-1000
100	1500	100	119	131	300	VC2HSB1SS100-1500
160	250	150	173	216	100	VC2HSB1SS160-250
160	500	150	173	216	100	VC2HSB1SS160-500
160	750	150	173	216	100	VC2HSB1SS160-750
160	1000	150	173	216	100	VC2HSB1SS160-1000
160	1500	150	173	216	100	VC2HSB1SS160-1500

Stainless Steel 316L/1.4404

- Temperature range: -196 to 350 °C

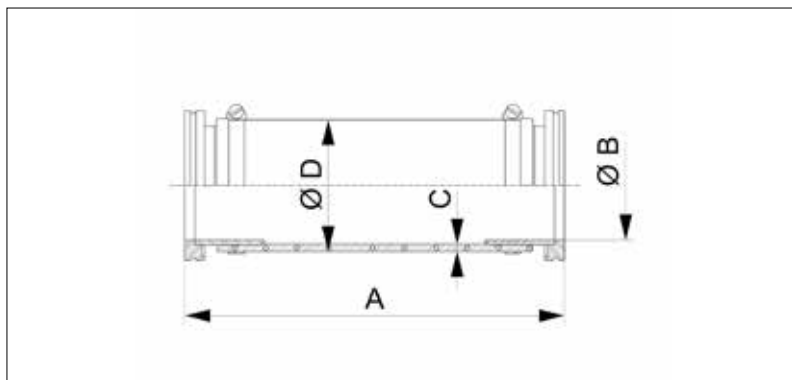
Flange Size (DN)	A (mm)	B (mm)	C (mm)	Bend radius, unique movement (mm)	Over pressure max. (hPa)	Order No
63	250	65	80	90	500	VC2HSB2SS063-250
63	500	65	80	90	500	VC2HSB2SS063-500
63	750	65	80	90	500	VC2HSB2SS063-750
63	1000	65	80	90	500	VC2HSB2SS063-1000
63	1500	65	80	90	500	VC2HSB2SS063-1500
100	250	100	119	131	300	VC2HSB2SS100-250
100	500	100	119	131	300	VC2HSB2SS100-500
100	750	100	119	131	300	VC2HSB2SS100-750
100	1000	100	119	131	300	VC2HSB2SS100-1000
100	1500	100	119	131	300	VC2HSB2SS100-1500
160	250	150	173	216	100	VC2HSB2SS160-250
160	500	150	173	216	100	VC2HSB2SS160-500
160	750	150	173	216	100	VC2HSB2SS160-750
160	1000	150	173	216	100	VC2HSB2SS160-1000
160	1500	150	173	216	100	VC2HSB2SS160-1500

ISO-K PVC Hose and Flanges



- Inner tube: PVC
- Hose cover: PVC, Transparent
- Casing: Steel coil
- Smooth inner and outer walls
- Custom lengths on request
- Pressure range: $1 \cdot 10^{-4}$ mbar to ambient pressure
- Temperature range: -10 to 60 °C (Consider PVC temperature range.)
- Flange materials:
Stainless Steel 304/1.4301
Stainless Steel 316L/1.4404

Dimensions



Stainless Steel 304/1.4301

- Temperature range: -196 to 300 °C

Flange Size (DN)	A (mm)	B (mm)	C (mm)	D (mm)	Bend radius (mm)	Order No
63	500	70	7.5	90	150	VC2HSC1SS063-500
63	1000	70	7.5	90	150	VC2HSC1SS063-1000
100	500	95	8.5	117	200	VC2HSC1SS100-500
100	1000	95	8.5	117	200	VC2HSC1SS100-1000
	1500					VC2HSC1SS100-1500

Stainless Steel 316L/1.4404

- Temperature range: -196 to 350 °C

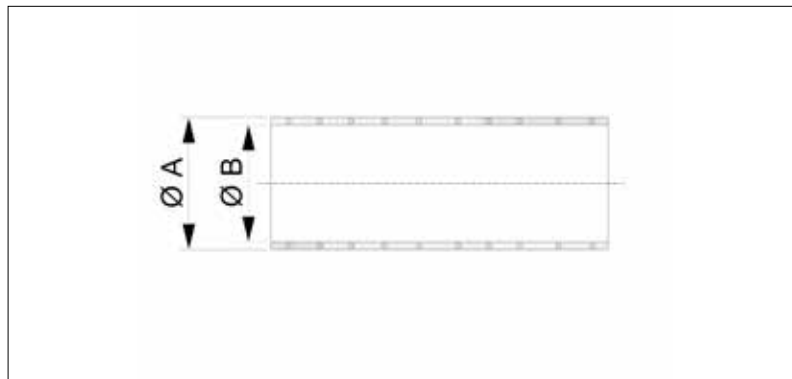
Flange Size (DN)	A (mm)	B (mm)	C (mm)	D (mm)	Bend radius (mm)	Order No
63	500	70	7.5	90	150	VC2HSC2SS063-500
63	1000	70	7.5	90	150	VC2HSC2SS063-1000
100	500	95	8.5	117	200	VC2HSC2SS100-500
100	1000	95	8.5	117	200	VC2HSC2SS100-1000
	1500					VC2HSC2SS100-1500

ISO-K PVC Hose With Embedded Spring



- Tube: PVC
- Hose cover: PVC
- Casing: Steel coil
- Smooth walls
- Custom lengths on request
- Pressure range: $1 \cdot 10^{-4}$ mbar to ambient pressure
- Temperature range: -5 to 40 °C

Dimensions



PVC

Inner Diameter (mm)	A (mm)	B (mm)	Bend radius (mm)	Order No
75	90	75	150	VC2HSD3PL063-75
100	117	100	200	VC2HSD3PL100-100

CF SYSTEM

This part consists of CF System.
Check out this section for products **NW16-NW350**

CF Components

Anadolu Vacuum CF components are manufactured according to ISO 3669. The CF flange (originally called ConFlat) is a sexless design where both flanges are identical. Typical flange materials are stainless steel types 304, 316L, 316LN ESR. All components are 100% leak-tested and have leak rates better than 10^{-10} mbarl/s. Standard sizes are NW 16 to 250. Other sizes can be produced on request. The ultra high vacuum range (UHV) assigns the pressure range $<10^{-8}$ mbar. To reach and keep up this low pressure range, a very low out-gassing rate is required in the vacuum system. Please consider the product information given on the product pages.

The CF components is sealed off by the cutting edge profile in the flange and a copper sealing washer. The copper sealing washer is embedded in the flange groove and, simultaneously, centres couple of flanges. While bolting the flanges, the cutting edges of the flanges for sealing are pressed deeply into the soft sealing washer, whereby the metal “flows away” radially and is pressed on the outside against the flange groove and limited. Even in the case of material deformation, this guarantees leak-tightness.

The flanges of the CF connections are designed according to ISO 3669. They are compatible with the Con-Flat flanges of other well-known brand. The standard material used is steels type 304. For the most widely recognized flanges and components, higher quality high-grade steels type 316L can also be used. The material number for the component can be found in the respective catalogue sections (“Components Elements Properties”). Because of the bake-out capacity necessary to UHV technology, sealing of the CF flanges is by means of a flat seal made of oxygen-free (OFHC) copper. The contact pressure is composed by diametrical tightening of the screws. The copper seal can only be used once. When baking out CF connections, ensure that heating up and cooling is achieved uniformly and sort of slowly.



CF Flanges

This part consists of CF Flanges.

Check out this section for products NW16-NW350

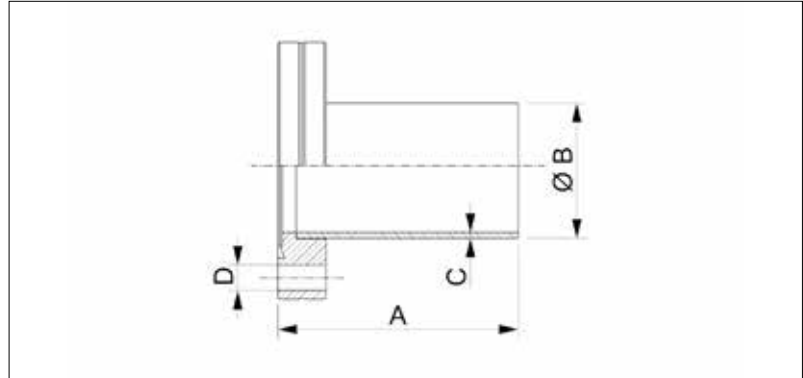


CF Half Flange



- Pressure range: $1 \cdot 10^{-12}$ mbar to ambient pressure
- Custom lengths available upon request
- Tube surface: Glass bead blasted (polished version on request)
- Tightness: $\leq 1 \cdot 10^{-10}$ mbar l/s
- Bake out range is up to 450°C

Dimensions



Stainless Steel 304/1.4301

- Temperature range: -196 to 300 °C
- Flange material: SS304 / 1.4301
- Tube material: SS304 / 1.4301

Size (DN)	Tube Dimension (mm)	A (mm)	B (mm)	C (mm)	D (mm)	Order No
16	18x1	38	18	1	4.4	VC4FLA1SS016-18-38
16	19,05x1,65	38	19.05	1.65	4.4	VC4FLA1SS016-19-38
25	25,4x1,65	52	25.4	1.65	6.6	VC4FLA1SS025-25-52
40	38x1,5	63	38	1.5	6.6	VC4FLA1SS040-38-63
40	40x1,5	63	40	1.5	6.6	VC4FLA1SS040-40-63
50	50,8x1,65	82	50.8	1.65	8.4	VC4FLA1SS050-50-82
63	63,5x1,65	105	63.5	1.65	8.4	VC4FLA1SS063-63-105
63	70x2	105	70	2	8.4	VC4FLA1SS063-70-105
75	76,1x2	90	76.1	2	8.4	VC4FLA1SS075-76-90
100	101,6x2,1	135	101.6	2.1	8.4	VC4FLA1SS100-101-135
100	108x2	135	108	2	8.4	VC4FLA1SS100-108-135
160	154x2	167	154	2	8.4	VC4FLA1SS160-154-167
160	159x2	167	159	2	8.4	VC4FLA1SS160-159-167
						VC4FLA1SS200-203-200
						VC4FLA1SS200-204-200
						VC4FLA1SS200-205-200
						VC4FLA1SS250-254-200
						VC4FLA1SS250-256-200
						VC4FLA1SS300-306-230
						VC4FLA1SS300-356-230

Stainless Steel 316L/1.4404

- Temperature range: -196 to 350 °C
- Flange material: SS316L / 1.4404
- Tube material: SS316L / 1.4404

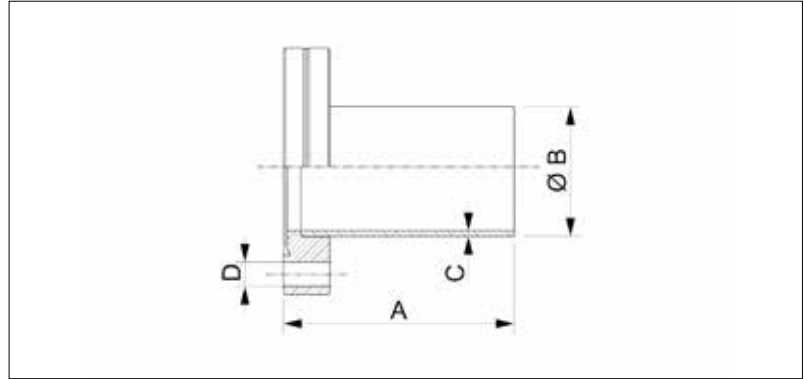
Size (DN)	Tube Dimension (mm)	A (mm)	B (mm)	C (mm)	D (mm)	Order No
16	18x1	38	18	1	4/4	VC4FLA2SS016-18-38
16	19,05x1,65	38	19.05	1.65	4/4	VC4FLA2SS016-19-38
25	25,4x1,65	52	25.4	1.65	6/6	VC4FLA2SS025-25-52
40	38x1,5	63	38	1.5	6/6	VC4FLA2SS040-38-63
40	40x1,5	63	40	1.5	6/6	VC4FLA2SS040-40-63
50	50,8x1,65	82	50.8	1.65	8/4	VC4FLA2SS050-50-82
63	63,5x1,65	105	63.5	1.65	8/4	VC4FLA2SS063-63-105
63	70x2	105	70	2	8/4	VC4FLA2SS063-70-105
75	76,1x2	90	76.1	2	8/4	VC4FLA2SS075-76-90
100	101,6x2,1	135	101.6	2.1	8/4	VC4FLA2SS100-101-135
100	108x2	135	108	2	8/4	VC4FLA2SS100-108-135
160	154x2	167	154	2	8/4	VC4FLA2SS160-154-167
160	159x2	167	159	2	8.4	VC4FLA2SS160-159-167
						VC4FLA2SS200-203-200
						VC4FLA2SS200-204-200
						VC4FLA2SS200-205-200
						VC4FLA2SS250-254-200
						VC4FLA2SS250-256-200
						VC4FLA2SS300-306-230
						VC4FLA2SS300-356-230

CF Half Flange with Thread



- Flange with threaded holes
- Pressure range: $1 \cdot 10^{-12}$ mbar to ambient pressure
- Custom lengths available upon request
- Tube surface: Glass bead blasted (polished version on request)
- Tightness: $\leq 1 \cdot 10^{-10}$ mbar l/s
- Bake out range is up to 450°C

Dimensions



Stainless Steel 304/1.4301

- Temperature range: -196 to 300 °C
- Flange material: SS304 / 1.4301
- Tube material: SS304 / 1.4301

Size (DN)	Tube Dimension (mm)	A (mm)	B (mm)	C (mm)	D	Order No
16	18x1	38	18	1	M4	VC4FLB1SS016-18-38
40	40x1,5	63	40	1.5	M6	VC4FLB1SS040-40-63
63	70x2	105	70	2	M8	VC4FLB1SS063-70-105
100	108x2	135	108	2	M8	VC4FLB1SS100-108-135
160	159x2	167	159	2	M8	VC4FLB1SS160-159-167

Stainless Steel 316L/1.4404

- Temperature range: -196 to 350 °C
- Flange material: SS316L / 1.4404
- Tube material: SS316L / 1.4404

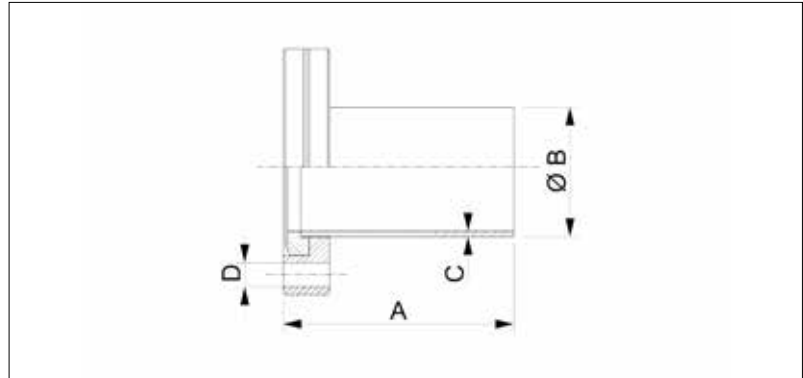
Size (DN)	Tube Dimension (mm)	A (mm)	B (mm)	C (mm)	D	Order No
16	18x1	38	18	1	M4	VC4FLB2SS016-18-38
40	40x1,5	63	40	1.5	M6	VC4FLB2SS040-40-63
63	70x2	105	70	2	M8	VC4FLB2SS063-70-105
100	108x2	135	108	2	M8	VC4FLB2SS100-108-135
160	159x2	167	159	2	M8	VC4FLB2SS160-159-167

CF Half Flange, Rotatable



- Feature a rotatable flange
- Pressure range: $1 \cdot 10^{-12}$ mbar to ambient pressure
- Custom lengths available upon request
- Tube surface: Glass bead blasted (polished version on request)
- Tightness: $\leq 1 \cdot 10^{-10}$ mbar l/s
- Bake out range is up to 450°C

Dimensions



Stainless Steel 304/1.4301

- Temperature range: -196 to 300 °C
- Flange material: SS304 / 1.4301
- Tube material: SS304 / 1.4301

Size (DN)	Tube Dimension (mm)	A (mm)	B (mm)	C (mm)	D (mm)	Order No
16	18x1	38	18	1	4.4	VC4FLC1SS016-18-38
16	19,05x1,65	38	19.05	1.65	4.4	VC4FLC1SS016-19-38
25	25,4x1,65	52	25.4	1.65	6.6	VC4FLC1SS025-25-52
40	38x1,5	63	38	1.5	6.6	VC4FLC1SS040-38-63
40	40x1,5	63	40	1.5	8.4	VC4FLC1SS040-40-63
50	50,8x1,65	82	50.8	1.65	8.4	VC4FLC1SS050-50-82
63	63,5x1,65	105	63.5	1.65	8.4	VC4FLC1SS063-63-105
63	70x2	105	70	2	8.4	VC4FLC1SS063-70-105
75	76,1x2	90	76.1	2	8.4	VC4FLC1SS075-76-90
100	101,6x2,1	135	101.6	2.1	8.4	VC4FLC1SS100-101-135
100	108x2	135	108	2	8.4	VC4FLC1SS100-108-135
160	154x2	167	154	2	8.4	VC4FLC1SS160-154-167
160	159x2	167	159	2	8.4	VC4FLC1SS160-159-167

Stainless Steel 316L/1.4404

- Temperature range: -196 to 350 °C
- Flange material: SS316L / 1.4404
- Tube material: SS316L / 1.4404

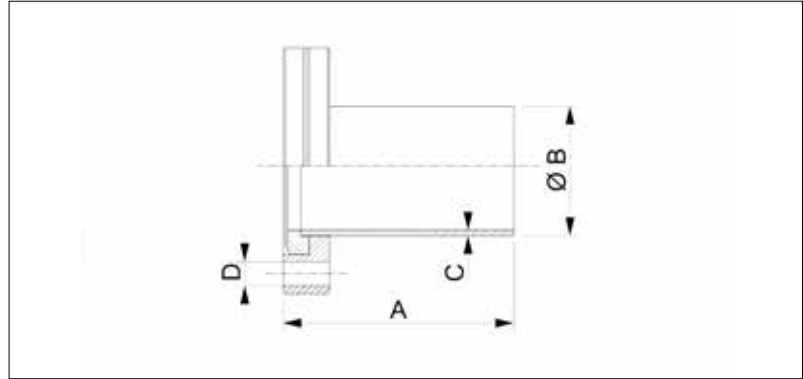
Size (DN)	Tube Dimension (mm)	A (mm)	B (mm)	C (mm)	D (mm)	Order No
16	18x1	38	18	1	4.4	VC4FLC2SS016-18-38
16	19,05x1,65	38	19.05	1.65	4.4	VC4FLC2SS016-19-38
25	25,4x1,65	52	25.4	1.65	6.6	VC4FLC2SS025-25-52
40	38x1,5	63	38	1.5	6.6	VC4FLC2SS040-38-63
40	40x1,5	63	40	1.5	8.4	VC4FLC2SS040-40-63
50	50,8x1,65	82	50.8	1.65	8.4	VC4FLC2SS050-50-82
63	63,5x1,65	105	63.5	1.65	8.4	VC4FLC2SS063-63-105
63	70x2	105	70	2	8.4	VC4FLC2SS063-70-105
75	76,1x2	90	76.1	2	8.4	VC4FLC2SS075-76-90
100	101,6x2,1	135	101.6	2.1	8.4	VC4FLC2SS100-101-135
100	108x2	135	108	2	8.4	VC4FLC2SS100-108-135
160	154x2	167	154	2	8.4	VC4FLC2SS160-154-167
160	159x2	167	159	2	8.4	VC4FLC2SS160-159-167

CF Half Flange, Rotatable with Thread



- Feature a rotatable flange with threaded holes
- Pressure range: $1 \cdot 10^{-12}$ mbar to ambient pressure
- Custom lengths available upon request
- Tube surface: Glass bead blasted (polished version on request)
- Tightness: $\leq 1 \cdot 10^{-10}$ mbar l/s
- Bake out range is up to 450°C

Dimensions



Stainless Steel 304/1.4301

- Temperature range: -196 to 300 °C
- Flange material: SS304 / 1.4301
- Tube material: SS304 / 1.4301

Size (DN)	Tube Dimension (mm)	A (mm)	B (mm)	C (mm)	D	Order No
16	18x1	38	18	1	M4	VC4FLD1SS016-18-38
40	38x1,5	63	38	1.5	M6	VC4FLD1SS040-38-63
40	40x1,5	38	40	1.5	M6	VC4FLD1SS040-40-38
40	40x1,5	63	40	1.5	M6	VC4FLD1SS040-40-63
63	70x2	105	70	2	M8	VC4FLD1SS063-70-105
100	108x2	135	108	2	M8	VC4FLD1SS100-108-135
160	159x2	167	159	2	M8	VC4FLD1SS160-159-167

Stainless Steel 316L/1.4404

- Temperature range: -196 to 350 °C
- Flange material: SS316L / 1.4404
- Tube material: SS316L / 1.4404

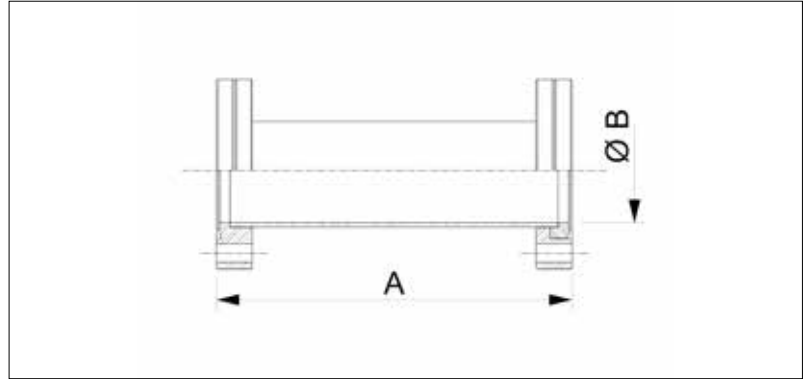
Size (DN)	Tube Dimension (mm)	A (mm)	B (mm)	C (mm)	D	Order No
16	18x1	38	18	1	M4	VC4FLD2SS016-18-38
40	38x1,5	63	38	1.5	M6	VC4FLD2SS040-38-63
40	40x1,5	38	40	1.5	M6	VC4FLD2SS040-40-38
40	40x1,5	63	40	1.5	M6	VC4FLD2SS040-40-63
63	70x2	105	70	2	M8	VC4FLD2SS063-70-105
100	108x2	135	108	2	M8	VC4FLD2SS100-108-135
160	159x2	167	159	2	M8	VC4FLD2SS160-159-167

CF Full Flange



- One fixed and one rotatable flanges
- Pressure range: $1 \cdot 10^{-12}$ mbar to ambient pressure
- Custom lengths available upon request
- Tube surface: Glass bead blasted (polished version on request)
- Tightness: $\leq 1 \cdot 10^{-10}$ mbar l/s
- Bake out range is up to 450°C

Dimensions



Stainless Steel 304/1.4301

- Temperature range: -196 to 300 °C
- Flange material: SS304 / 1.4301
- Tube material: SS304 / 1.4301

Size (DN)	Tube Dimension (mm)	A (mm)	B (mm)	Order No
16	18x1	76	16	VC4FLE1SS016-76
40	40x1,5	126	37	VC4FLE1SS040-126
63	70x2	210	66	VC4FLE1SS063-210
100	108x2	270	104	VC4FLE1SS100-270
160	159x2	334	155	VC4FLE1SS160-334

Stainless Steel 316L/1.4404

- Temperature range: -196 to 350 °C
- Flange material: SS316L / 1.4404
- Tube material: SS316L / 1.4404

Size (DN)	Tube Dimension (mm)	A (mm)	B (mm)	Order No
16	18x1	76	16	VC4FLE2SS016-76
40	40x1,5	126	37	VC4FLE2SS040-126
63	70x2	210	66	VC4FLE2SS063-210
100	108x2	270	104	VC4FLE2SS100-270
160	159x2	334	155	VC4FLE2SS160-334

CF Blanking Flange



- Pressure range: $1 \cdot 10^{-12}$ mbar to ambient pressure
- Custom lengths available upon request
- Bake out range is up to 450°C
- Materials:

Stainless Steel 304/1.4301

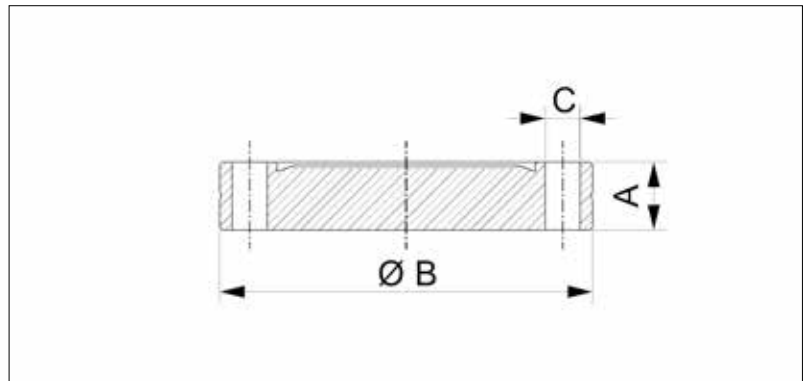
Stainless Steel 316L/1.4404

Stainless Steel 316LN ESR/1.4429

Stainless Steel 316LN ESR/1.4429 ESU features

- Ideal for constantly dismantled chamber ports
- Electro-slag Remelt (ESR) to improve grain homogeneity and remove gross macro segregation
- Lower magnetic permeability for applications sensitive to magnetic materials ($\mu \leq 1.005$ vs. 1.03 for 304L SS)
- Low desorption
- Bakeable under vacuum up to 1050 °C
- Pressure range: $1 \cdot 10^{-13}$ mbar to ambient pressure

Dimensions



Stainless Steel 304/1.4301

- Temperature range: -196 to 300 °C

Size (DN)	A (mm)	B (mm)	C (mm)	Order No
16	7.5	34	4.4	VC4FLF1SS016
25	12	54	6.6	VC4FLF1SS025
40	13	69.9	6.6	VC4FLF1SS040
50	16.5	85.7	8.4	VC4FLF1SS050
63	17.5	113.5	8.5	VC4FLF1SS063
75	18	117.4	8.6	VC4FLF1SS075
100	20	152	8.7	VC4FLF1SS100
125	21.5	171.4	8.8	VC4FLF1SS125
160	21.5	202.4	8.9	VC4FLF1SS160
200	24.5	253.2	8.10	VC4FLF1SS200
250	24.5	304.8	8.11	VC4FLF1SS250
300	28.5	355.6	8.12	VC4FLF1SS300
350	28.5	419.1	8.13	VC4FLF1SS350

Stainless Steel 316L/1.4404

- Temperature range: -196 to 350 °C

Size (DN)	A (mm)	B (mm)	C (mm)	Order No
16	7.5	34	4.4	VC4FLF2SS016
25	12	54	6.6	VC4FLF2SS025
40	13	69.9	6.6	VC4FLF2SS040
50	16.5	85.7	8.4	VC4FLF2SS050
63	17.5	113.5	8.5	VC4FLF2SS063
75	18	117.4	8.6	VC4FLF2SS075
100	20	152	8.7	VC4FLF2SS100
125	21.5	171.4	8.8	VC4FLF2SS125
160	21.5	202.4	8.9	VC4FLF2SS160
200	24.5	253.2	8.10	VC4FLF2SS200
250	24.5	304.8	8.11	VC4FLF2SS250
300	28.5	355.6	8.12	VC4FLF2SS300
350	28.5	419.1	8.13	VC4FLF2SS350

Stainless Steel 316LN ESR/1.4429 ESU

- Temperature range: -196 to 350 °C

Size (DN)	A (mm)	B (mm)	C (mm)	Order No
16	7.5	34	4.4	VC4FLF3SS016
25	12	54	6.6	VC4FLF3SS025
40	13	69.9	6.6	VC4FLF3SS040
50	16.5	85.7	8.4	VC4FLF3SS050
63	17.5	113.5	8.5	VC4FLF3SS063
75	18	117.4	8.6	VC4FLF3SS075
100	20	152	8.7	VC4FLF3SS100
125	21.5	171.4	8.8	VC4FLF3SS125
160	21.5	202.4	8.9	VC4FLF3SS160
200	24.5	253.2	8.10	VC4FLF3SS200
250	24.5	304.8	8.11	VC4FLF3SS250
300	28.5	355.6	8.12	VC4FLF3SS300
350	28.5	419.1	8.13	VC4FLF3SS350

CF Blanking Flange with Thread



- Flange with threaded holes
- Pressure range: $1 \cdot 10^{-12}$ mbar to ambient pressure
- Custom lengths available upon request
- Bake out range is up to 450°C
- Materials:

Stainless Steel 304/1.4301

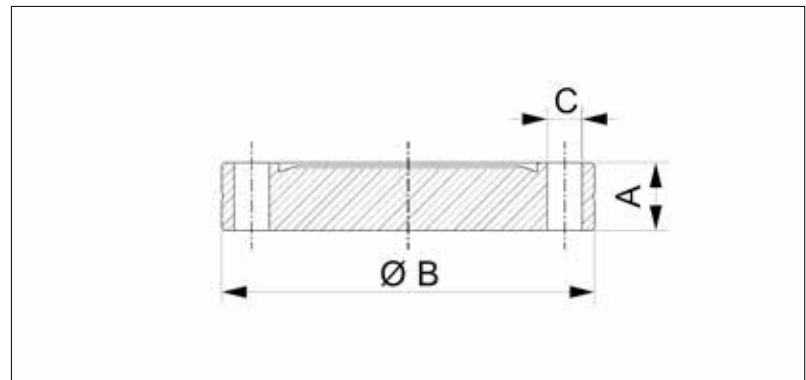
Stainless Steel 316L/1.4404

Stainless Steel 316LN ESR/1.4429

Stainless Steel 316LN ESR/1.4429 ESU features

- Ideal for constantly dismantled chamber ports
- Electro-slag Remelt (ESR) to improve grain homogeneity and remove gross macro segregation
- Lower magnetic permeability for applications sensitive to magnetic materials ($\mu \leq 1.005$ vs. 1.03 for 304L SS)
- Low desorption
- Bakeable under vacuum up to 1050 °C
- Pressure range: $1 \cdot 10^{-13}$ mbar to ambient pressure

Dimensions



Stainless Steel 304/1.4301

- Temperature range: -196 to 300 °C

Size (DN)	A (mm)	B (mm)	C	Order No
16	7.5	34	M4	VC4FLG1SS016
40	13	69.9	M6	VC4FLG1SS040
63	17.5	113.5	M8	VC4FLG1SS063
100	20	152	M8	VC4FLG1SS100
160	21.5	202.4	M8	VC4FLG1SS160
200	24.5	253.2	M8	VC4FLG1SS200
250	24.5	304.8	M8	VC4FLG1SS250

Stainless Steel 316L/1.4404

- Temperature range: -196 to 350 °C

Size (DN)	A (mm)	B (mm)	C	Order No
16	7.5	34	M4	VC4FLG2SS016
40	13	69.9	M6	VC4FLG2SS040
63	17.5	113.5	M8	VC4FLG2SS063
100	20	152	M8	VC4FLG2SS100
160	21.5	202.4	M8	VC4FLG2SS160
200	24.5	253.2	M8	VC4FLG2SS200
250	24.5	304.8	M8	VC4FLG2SS250

Stainless Steel 316LN ESR/1.4429 ESU

- Temperature range: -196 to 350 °C

Size (DN)	A (mm)	B (mm)	C	Order No
16	7.5	34	M4	VC4FLG3SS016
40	13	69.9	M6	VC4FLG3SS040
63	17.5	113.5	M8	VC4FLG3SS063
100	20	152	M8	VC4FLG3SS100
160	21.5	202.4	M8	VC4FLG3SS160
200	24.5	253.2	M8	VC4FLG3SS200
250	24.5	304.8	M8	VC4FLG3SS250

CF Blanking Flange, Rotatable



- Feature a rotatable flange
- Pressure range: $1 \cdot 10^{-12}$ mbar to ambient pressure
- Custom lengths available upon request
- Bake out range is up to 450°C
- Materials:

Stainless Steel 304/1.4301

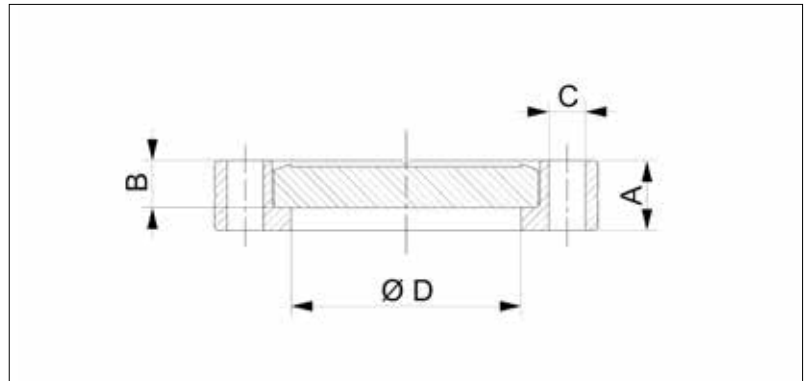
Stainless Steel 316L/1.4404

Stainless Steel 316LN ESR/1.4429

Stainless Steel 316LN ESR/1.4429 ESU features

- Ideal for constantly dismantled chamber ports
- Electro-slag Remelt (ESR) to improve grain homogeneity and remove gross macro segregation
- Lower magnetic permeability for applications sensitive to magnetic materials ($\mu \leq 1.005$ vs. 1.03 for 304L SS)
- Low desorption
- Bakeable under vacuum up to 1050 °C
- Pressure range: $1 \cdot 10^{-13}$ mbar to ambient pressure

Dimensions



Stainless Steel 304/1.4301

- Temperature range: -196 to 300 °C

Size (DN)	A (mm)	B (mm)	C (mm)	D (mm)	Order No
16	7.5	5.8	4.4	19.2	VC4FLH1SS016
40	13	7.6	6.6	42	VC4FLH1SS040
63	17.5	12.6	8.4	72	VC4FLH1SS063
100	20	14.4	8.4	109	VC4FLH1SS100
160	21.5	15.8	8.4	161	VC4FLH1SS160
200	24.5	15.8	8.4	207	VC4FLH1SS200
250	24.5	16.6	8.4	260	VC4FLH1SS250

Stainless Steel 316L/1.4404

- Temperature range: -196 to 350 °C

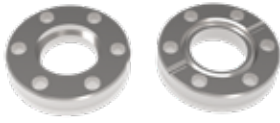
Size (DN)	A (mm)	B (mm)	C (mm)	D (mm)	Order No
16	7.5	5.8	4.4	19.2	VC4FLH2SS016
40	13	7.6	6.6	42	VC4FLH2SS040
63	17.5	12.6	8.4	72	VC4FLH2SS063
100	20	14.4	8.4	109	VC4FLH2SS100
160	21.5	15.8	8.4	161	VC4FLH2SS160
200	24.5	15.8	8.4	207	VC4FLH2SS200
250	24.5	16.6	8.4	260	VC4FLH2SS250

Stainless Steel 316LN ESR/1.4429 ESU

- Temperature range: -196 to 350 °C

Size (DN)	A (mm)	B (mm)	C (mm)	D (mm)	Order No
16	7.5	5.8	4.4	19.2	VC4FLH3SS016
40	13	7.6	6.6	42	VC4FLH3SS040
63	17.5	12.6	8.4	72	VC4FLH3SS063
100	20	14.4	8.4	109	VC4FLH3SS100
160	21.5	15.8	8.4	161	VC4FLH3SS160
200	24.5	15.8	8.4	207	VC4FLH3SS200
250	24.5	16.6	8.4	260	VC4FLH3SS250

CF Weld Flange



- Pressure range: $1 \cdot 10^{-12}$ mbar to ambient pressure
- Custom lengths available upon request
- Bake out range is up to 450°C
- Materials:

Stainless Steel 304/1.4301

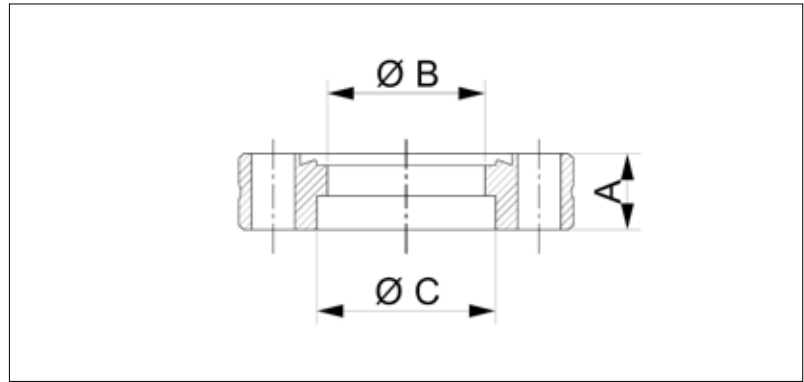
Stainless Steel 316L/1.4404

Stainless Steel 316LN ESR/1.4429

Stainless Steel 316LN ESR/1.4429 ESU features

- Ideal for constantly dismantled chamber ports
- Electro-slag Remelt (ESR) to improve grain homogeneity and remove gross macro segregation
- Lower magnetic permeability for applications sensitive to magnetic materials ($\mu \leq 1.005$ vs. 1.03 for 304L SS)
- Low desorption
- Bakeable under vacuum up to 1050 °C
- Pressure range: $1 \cdot 10^{-15}$ mbar to ambient pressure

Dimensions



Stainless Steel 304/1.4301

- Temperature range: -196 to 300 °C

Size (DN)	Tube Dimension (mm)	A (mm)	B (mm)	C (mm)	Order No
16	18x1	7.5	16	18.15	VC4FLI1SS016-18
16	19,05x1,65	7.5	15.75	19.2	VC4FLI1SS016-19
25	25,4x1,65	12	22.1	25.6	VC4FLI1SS025-25
25	28x2	12	24	28.2	VC4FLI1SS025-28
40	38x1,5	13	35	38.2	VC4FLI1SS040-38
40	40x1,5	13	37	40.2	VC4FLI1SS040-40
40	42,4x2	13	38.4	42.6	VC4FLI1SS040-42
40	44,5x2	13	40.5	44.7	VC4FLI1SS040-44
50	50,8x1,65	16.5	47.5	51.1	VC4FLI1SS050-50
63	63,5x1,65	17.5	60.2	63.8	VC4FLI1SS063-63
63	70x2	17.5	66	70.3	VC4FLI1SS063-70
75	76,1x2	18	72.1	76.4	VC4FLI1SS075-76
100	101,6x2,1	20	97.4	101.9	VC4FLI1SS100-101
100	104x2	20	100	104.3	VC4FLI1SS100-104
100	108x2	20	104	108.3	VC4FLI1SS100-108

Size (DN)	Tube Dimension (mm)	A (mm)	B (mm)	C (mm)	Order No
125	127x1,65	21.5	123.7	127.3	VC4FLI1SS125-127
160	152,4x2	21.5	147.6	152.7	VC4FLI1SS160-152
160	154x2	21.5	150	154.3	VC4FLI1SS160-154
160	159x2	21.5	155	159.3	VC4FLI1SS160-159
200	203,2x2,4	24.5	198.4	203.5	VC4FLI1SS200-203
200	204x2	24.5	200	204.3	VC4FLI1SS200-204
200	205x2,5	24.5	200	205.3	VC4FLI1SS200-205
250	254x2	24.5	250	254.3	VC4FLI1SS250-254
250	256x3	24.5	250	256.3	VC4FLI1SS250-256
300	306x3	28.5	300	306.3	VC4FLI1SS300-306
350	356x3	28.5	350	356.3	VC4FLI1SS350-356

Stainless Steel 316L/1.4404

- Temperature range: -196 to 350 °C

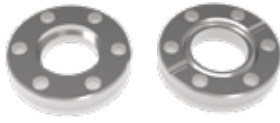
Size (DN)	Tube Dimension (mm)	A (mm)	B (mm)	C (mm)	Order No
16	18x1	7.5	16	18.15	VC4FLI2SS016-18
16	19,05x1,65	7.5	15.75	19.2	VC4FLI2SS016-19
25	25,4x1,65	12	22.1	25.6	VC4FLI2SS025-25
25	28x2	12	24	28.2	VC4FLI2SS025-28
40	38x1,5	13	35	38.2	VC4FLI2SS040-38
40	40x1,5	13	37	40.2	VC4FLI2SS040-40
40	42,4x2	13	38.4	42.6	VC4FLI2SS040-42
40	44,5x2	13	40.5	44.7	VC4FLI2SS040-44
50	50,8x1,65	16.5	47.5	51.1	VC4FLI2SS050-50
63	63,5x1,65	17.5	60.2	63.8	VC4FLI2SS063-63
63	70x2	17.5	66	70.3	VC4FLI2SS063-70
75	76,1x2	18	72.1	76.4	VC4FLI2SS075-76
100	101,6x2,1	20	97.4	101.9	VC4FLI2SS100-101
100	104x2	20	100	104.3	VC4FLI2SS100-104
100	108x2	20	104	108.3	VC4FLI2SS100-108
125	127x1,65	21.5	123.7	127.3	VC4FLI2SS125-127
160	152,4x2	21.5	147.6	152.7	VC4FLI2SS160-152
160	154x2	21.5	150	154.3	VC4FLI2SS160-154
160	159x2	21.5	155	159.3	VC4FLI2SS160-159
200	203,2x2,4	24.5	198.4	203.5	VC4FLI2SS200-203
200	204x2	24.5	200	204.3	VC4FLI2SS200-204
200	205x2,5	24.5	200	205.3	VC4FLI2SS200-205
250	254x2	24.5	250	254.3	VC4FLI2SS250-254
250	256x3	24.5	250	256.3	VC4FLI2SS250-256
300	306x3	28.5	300	306.3	VC4FLI2SS300-306
350	356x3	28.5	350	356.3	VC4FLI2SS350-356

Stainless Steel 316LN ESR/1.4 429 ESU

• Temperature range: -196 to 350 °C

Size (DN)	Tube Dimension (mm)	A (mm)	B (mm)	C (mm)	Order No
16	18x1	7.5	16	18.15	VC4FLI3SS016-18
16	19,05x1,65	7.5	15.75	19.2	VC4FLI3SS016-19
25	25,4x1,65	12	22.1	25.6	VC4FLI3SS025-25
25	28x2	12	24	28.2	VC4FLI3SS025-28
40	38x1,5	13	35	38.2	VC4FLI3SS040-38
40	40x1,5	13	37	40.2	VC4FLI3SS040-40
40	42,4x2	13	38.4	42.6	VC4FLI3SS040-42
40	44,5x2	13	40.5	44.7	VC4FLI3SS040-44
50	50,8x1,65	16.5	47.5	51.1	VC4FLI3SS050-50
63	63,5x1,65	17.5	60.2	63.8	VC4FLI3SS063-63
63	70x2	17.5	66	70.3	VC4FLI3SS063-70
75	76,1x2	18	72.1	76.4	VC4FLI3SS075-76
100	101,6x2,1	20	97.4	101.9	VC4FLI3SS100-101
100	104x2	20	100	104.3	VC4FLI3SS100-104
100	108x2	20	104	108.3	VC4FLI3SS100-108
125	127x1,65	21.5	123.7	127.3	VC4FLI3SS125-127
160	152,4x2	21.5	147.6	152.7	VC4FLI3SS160-152
160	154x2	21.5	150	154.3	VC4FLI3SS160-154
160	159x2	21.5	155	159.3	VC4FLI3SS160-159
200	203,2x2,4	24.5	198.4	203.5	VC4FLI3SS200-203
200	204x2	24.5	200	204.3	VC4FLI3SS200-204
200	205x2,5	24.5	200	205.3	VC4FLI3SS200-205
250	254x2	24.5	250	254.3	VC4FLI3SS250-254
250	256x3	24.5	250	256.3	VC4FLI3SS250-256
300	306x3	28.5	300	306.3	VC4FLI3SS300-306
350	356x3	28.5	350	356.3	VC4FLI3SS350-356

CF Weld Flange with Thread



- Pressure range: 1 · 10-12 mbar to ambient pressure
- Custom lengths available upon request
- Bake out range is up to 450°C
- Materials:

Stainless Steel 304/1.4301

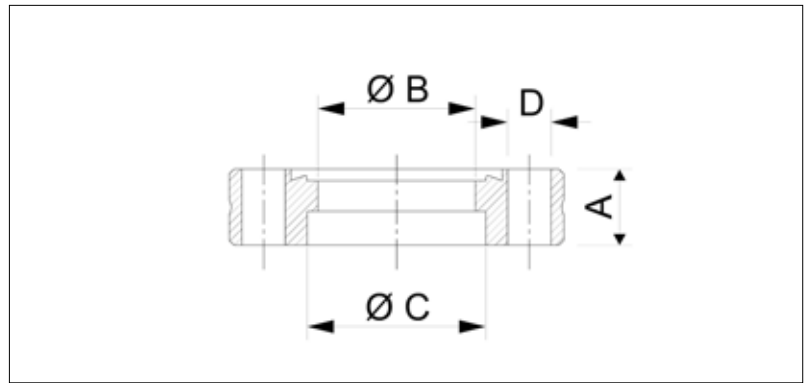
Stainless Steel 316L/1.4404

Stainless Steel 316LN ESR/1.4429

Stainless Steel 316LN ESR/1.4429 ESU features

- Ideal for constantly dismantled chamber ports
- Electro-slag Remelt (ESR) to improve grain homogeneity and remove gross macro segregation
- Lower magnetic permeability for applications sensitive to magnetic materials ($\mu \leq 1.005$ vs. 1.03 for 304L SS)
- Pressure range: 1 · 10-13 mbar to ambient pressure

Dimensions



Stainless Steel 304/1.4301

- Temperature range: -196 to 300 °C

Size (DN)	Tube Dimension (mm)	A (mm)	B (mm)	C (mm)	D	Order No
16	18x1	7.5	16	18.15	M4	VC4FLK1SS016-18
25	28x2	12	24	28.2	M6	VC4FLK1SS025-28
40	38x1,5	13	35	38.2	M6	VC4FLK1SS040-38
40	40x1,5	13	37	40.2	M6	VC4FLK1SS040-40
40	42,4x2	13	38.4	42.6	M6	VC4FLK1SS040-42
40	44,5x2	13	40.5	44.7	M6	VC4FLK1SS040-44
63	70x2	17.5	66	70.3	M8	VC4FLK1SS063-70
100	104x2	20	100	104.3	M8	VC4FLK1SS100-104
100	108x2	20	104	108.3	M8	VC4FLK1SS100-108
160	154x2	21.5	150	154.3	M8	VC4FLK1SS160-154
160	159x2	21.5	155	159.3	M8	VC4FLK1SS160-159
200	204x2	24.5	200	204.3	M8	VC4FLK1SS200-204
200	205x2,5	24.5	200	205.3	M8	VC4FLK1SS200-205
250	254x2	24.5	250	254.3	M8	VC4FLK1SS250-254
250	256x3	24.5	250	256.3	M8	VC4FLK1SS250-256
300	306x3	28.5	300	306.3	M10	VC4FLK1SS300-306

Stainless Steel 316L/1.4404

- Temperature range: -196 to 350 °C

Size (DN)	Tube Dimension (mm)	A (mm)	B (mm)	C (mm)	D	Order No
16	18x1	7.5	16	18.15	M4	VC4FLK2SS016-18
25	28x2	12	24	28.2	M6	VC4FLK2SS025-28
40	38x1,5	13	35	38.2	M6	VC4FLK2SS040-38
40	40x1,5	13	37	40.2	M6	VC4FLK2SS040-40
40	42,4x2	13	38.4	42.6	M6	VC4FLK2SS040-42
40	44,5x2	13	40.5	44.7	M6	VC4FLK2SS040-44
63	70x2	17.5	66	70.3	M8	VC4FLK2SS063-70
100	104x2	20	100	104.3	M8	VC4FLK2SS100-104
100	108x2	20	104	108.3	M8	VC4FLK2SS100-108
160	154x2	21.5	150	154.3	M8	VC4FLK2SS160-154
160	159x2	21.5	155	159.3	M8	VC4FLK2SS160-159
200	204x2	24.5	200	204.3	M8	VC4FLK2SS200-204
200	205x2,5	24.5	200	205.3	M8	VC4FLK2SS200-205
250	254x2	24.5	250	254.3	M8	VC4FLK2SS250-254
250	256x3	24.5	250	256.3	M8	VC4FLK2SS250-256
300	306x3	28.5	300	306.3	M10	VC4FLK2SS300-306

Stainless Steel 316LN ESR/1.4429 ESU

- Temperature range: -196 to 350 °C

Size (DN)	Tube Dimension (mm)	A (mm)	B (mm)	C (mm)	D	Order No
16	18x1	7.5	16	18.15	M4	VC4FLK3SS016-18
25	28x2	12	24	28.2	M6	VC4FLK3SS025-28
40	38x1,5	13	35	38.2	M6	VC4FLK3SS040-38
40	40x1,5	13	37	40.2	M6	VC4FLK3SS040-40
40	42,4x2	13	38.4	42.6	M6	VC4FLK3SS040-42
40	44,5x2	13	40.5	44.7	M6	VC4FLK3SS040-44
63	70x2	17.5	66	70.3	M8	VC4FLK3SS063-70
100	104x2	20	100	104.3	M8	VC4FLK3SS100-104
100	108x2	20	104	108.3	M8	VC4FLK3SS100-108
160	154x2	21.5	150	154.3	M8	VC4FLK3SS160-154
160	159x2	21.5	155	159.3	M8	VC4FLK3SS160-159
200	204x2	24.5	200	204.3	M8	VC4FLK3SS200-204
200	205x2,5	24.5	200	205.3	M8	VC4FLK3SS200-205
250	254x2	24.5	250	254.3	M8	VC4FLK3SS250-254
250	256x3	24.5	250	256.3	M8	VC4FLK3SS250-256
300	306x3	28.5	300	306.3	M10	VC4FLK3SS300-306

CF Weld Flange, Rotatable



- Feature a rotatable flange
- Pressure range: $1 \cdot 10^{-12}$ mbar to ambient pressure
- Custom lengths available upon request
- Bake out range is up to 450°C
- Materials:

Stainless Steel 304/1.4301

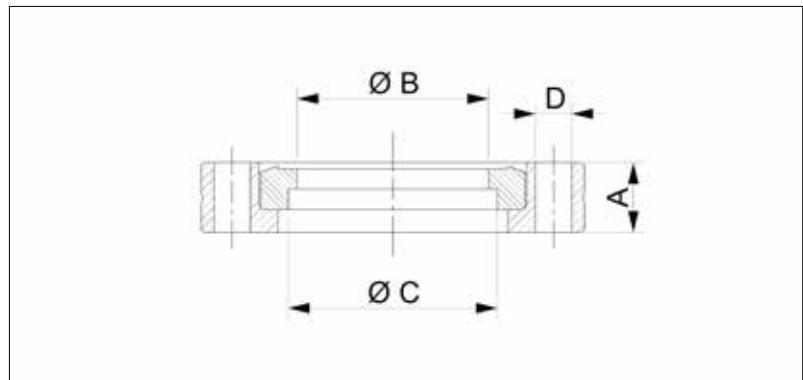
Stainless Steel 316L/1.4404

Stainless Steel 316LN ESR/1.4429

Stainless Steel 316LN ESR/1.4429 ESU features

- Ideal for constantly dismantled chamber ports
- Electro-slag Remelt (ESR) to improve grain homogeneity and remove gross macro segregation
- Lower magnetic permeability for applications sensitive to magnetic materials ($\mu \leq 1.005$ vs. 1.03 for 304L SS)
- Low desorption
- Bakeable under vacuum up to 1050 °C
- Pressure range: $1 \cdot 10^{-13}$ mbar to ambient pressure

Dimensions



Stainless Steel 304/1.4301

- Temperature range: -196 to 300 °C

Size (DN)	Tube Dimension (mm)	A (mm)	B (mm)	C (mm)	D	Order No
16	18x1	7.5	16	18.15	4.4	VC4FLL1SS016-18
16	19,05x1,65	7.5	15.75	19.2	4.4	VC4FLL1SS016-19
25	25,4x1,65	12	22.1	25.6	6.6	VC4FLL1SS025-25
25	28x2	12	24	28.2	6.6	VC4FLL1SS025-28
40	38x1,5	13	35	38.2	6.6	VC4FLL1SS040-38
40	40x1,5	13	37	40.2	6.6	VC4FLL1SS040-40
40	42,4x2	13	38.4	42.6	6.6	VC4FLL1SS040-42
40	44,5x2	13	40.5	44.7	6.6	VC4FLL1SS040-44
50	50,8x1,65	16.5	47.5	51.1	8.4	VC4FLL1SS050-50
63	63,5x1,65	17.5	60.2	63.8	8.4	VC4FLL1SS063-63
63	70x2	17.5	66	70.3	8.4	VC4FLL1SS063-70

Size (DN)	Tube Dimension (mm)	A (mm)	B (mm)	C (mm)	D	Order No
75	76,1x2	18	72.1	76.4	8.4	VC4FLL1SS075-76
100	101,6x2,1	20	97.4	101.9	8.4	VC4FLL1SS100-101
100	104x2	20	100	104.3	8.4	VC4FLL1SS100-104
100	108x2	20	104	108.3	8.4	VC4FLL1SS100-108
125	127x1,65	21.5	123.7	127.3	8.4	VC4FLL1SS125-127
160	152,4x2	21.5	147.6	152.7	8.4	VC4FLL1SS160-152
160	154x2	21.5	150	154.3	8.4	VC4FLL1SS160-154
160	159x2	21.5	155	159.3	8.4	VC4FLL1SS160-159
200	20,3,2x2,4	24.5	198.4	203.5	8.4	VC4FLL1SS200-203
200	204x2	24.5	200	204.3	8.4	VC4FLL1SS200-204
200	205x2,5	24.5	200	205.3	8.4	VC4FLL1SS200-205
250	254x2	24.5	250	254.3	8.4	VC4FLL1SS250-254
250	256x3	24.5	250	256.3	8.4	VC4FLL1SS250-256
300	306x3	28.5	300	306.3	10.5	VC4FLL1SS300-306
350	356x3	28.5	350	356.3	10.5	VC4FLL1SS350-356

Stainless Steel 316L/1.4404

- Temperature range: -196 to 350 °C

Size (DN)	Tube Dimension (mm)	A (mm)	B (mm)	C (mm)	D	Order No
16	18x1	7.5	16	18.15	4.4	VC4FLL2SS016-18
16	19,05x1,65	7.5	15.75	19.2	4.4	VC4FLL2SS016-19
25	25,4x1,65	12	22.1	25.6	6.6	VC4FLL2SS025-25
25	28x2	12	24	28.2	6.6	VC4FLL2SS025-28
40	38x1,5	13	35	38.2	6.6	VC4FLL2SS040-38
40	40x1,5	13	37	40.2	6.6	VC4FLL2SS040-40
40	42,4x2	13	38.4	42.6	6.6	VC4FLL2SS040-42
40	44,5x2	13	40.5	44.7	6.6	VC4FLL2SS040-44
50	50,8x1,65	16.5	47.5	51.1	8.4	VC4FLL2SS050-50
63	63,5x1,65	17.5	60.2	63.8	8.4	VC4FLL2SS063-63
63	70x2	17.5	66	70.3	8.4	VC4FLL2SS063-70
75	76,1x2	18	72.1	76.4	8.4	VC4FLL2SS075-76
100	101,6x2,1	20	97.4	101.9	8.4	VC4FLL2SS100-101
100	104x2	20	100	104.3	8.4	VC4FLL2SS100-104
100	108x2	20	104	108.3	8.4	VC4FLL2SS100-108
125	127x1,65	21.5	123.7	127.3	8.4	VC4FLL2SS125-127
160	152,4x2	21.5	147.6	152.7	8.4	VC4FLL2SS160-152
160	154x2	21.5	150	154.3	8.4	VC4FLL2SS160-154
160	159x2	24.5	155	159.3	8.4	VC4FLL2SS160-159
200	20,3,2x2,4	24.5	198.4	203.5	8.4	VC4FLL2SS200-203
200	204x2	24.5	200	204.3	8.4	VC4FLL2SS200-204
200	205x2,5	24.5	200	205.3	8.4	VC4FLL2SS200-205
250	254x2	24.5	250	254.3	8.4	VC4FLL2SS250-254
250	256x3	24.5	250	256.3	8.4	VC4FLL2SS250-256
300	306x3	28.5	300	306.3	10.5	VC4FLL2SS300-306
350	356x3	28.5	350	356.3	10.5	VC4FLL2SS350-356

Stainless Steel 316LN ESR/1.4 429 ESU

• Temperature range: -196 to 350 °C

Size (DN)	Tube Dimension (mm)	A (mm)	B (mm)	C (mm)	D	Order No
16	18x1	7.5	16	18.15	4.4	VC4FLL3SS016-18
16	19,05x1,65	7.5	15.75	19.2	4.4	VC4FLL3SS016-19
25	25,4x1,65	12	22.1	25.6	6.6	VC4FLL3SS025-25
25	28x2	12	24	28.2	6.6	VC4FLL3SS025-28
40	38x1,5	13	35	38.2	6.6	VC4FLL3SS040-38
40	40x1,5	13	37	40.2	6.6	VC4FLL3SS040-40
40	42,4x2	13	38.4	42.6	6.6	VC4FLL3SS040-42
40	44,5x2	13	40.5	44.7	6.6	VC4FLL3SS040-44
50	50,8x1,65	16.5	47.5	51.1	8.4	VC4FLL3SS050-50
63	63,5x1,65	17.5	60.2	63.8	8.4	VC4FLL3SS063-63
63	70x2	17.5	66	70.3	8.4	VC4FLL3SS063-70
75	76,1x2	18	72.1	76.4	8.4	VC4FLL3SS075-76
100	101,6x2,1	20	97.4	101.9	8.4	VC4FLL3SS100-101
100	104x2	20	100	104.3	8.4	VC4FLL3SS100-104
100	108x2	20	104	108.3	8.4	VC4FLL3SS100-108
125	127x1,65	21.5	123.7	127.3	8.4	VC4FLL3SS125-127
160	152,4x2	21.5	147.6	152.7	8.4	VC4FLL3SS160-152
160	154x2	21.5	150	154.3	8.4	VC4FLL3SS160-154
160	159x2	24.5	155	159.3	8.4	VC4FLL3SS160-159
200	20,3,2x2,4	24.5	198.4	203.5	8.4	VC4FLL3SS200-203
200	204x2	24.5	200	204.3	8.4	VC4FLL3SS200-204
200	205x2,5	24.5	200	205.3	8.4	VC4FLL3SS200-205
250	254x2	24.5	250	254.3	8.4	VC4FLL3SS250-254
250	256x3	24.5	250	256.3	8.4	VC4FLL3SS250-256
300	306x3	28.5	300	306.3	10.5	VC4FLL3SS300-306
350	356x3	28.5	350	356.3	10.5	VC4FLL3SS350-356

CF Spacer Flange

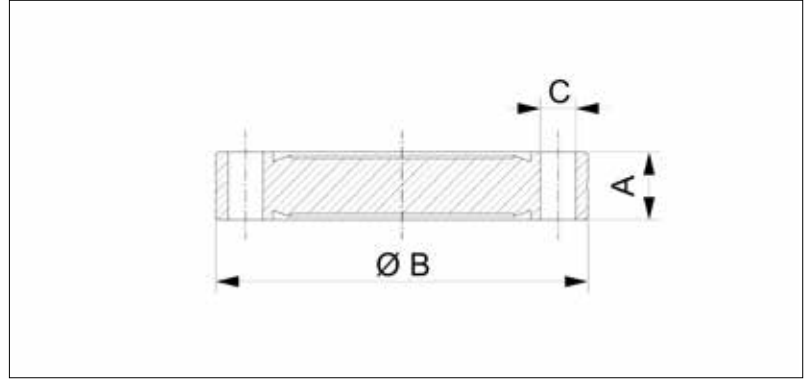


- Pressure range: $1 \cdot 10^{-12}$ mbar to ambient pressure
- Custom lengths available upon request
- Bake out range is up to 450°C
- Materials:

Stainless Steel 304/1.4301

Stainless Steel 316L/1.4404

Dimensions



Stainless Steel 304/1.4301

- Temperature range: -196 to 300 °C

Size (DN)	A (mm)	B (mm)	C (mm)	Order No
16	7.5	34	4.4	VC4FLM1SS016
40	13	69.9	6.6	VC4FLM1SS040
63	17.5	113.5	8.4	VC4FLM1SS063
100	20	152	8.4	VC4FLM1SS100
160	21.5	202.4	8.4	VC4FLM1SS160

Stainless Steel 316L/1.4404

- Temperature range: -196 to 350 °C

Size (DN)	A (mm)	B (mm)	C (mm)	Order No
16	7.5	34	4.4	VC4FLM2SS016
40	13	69.9	6.6	VC4FLM2SS040
63	17.5	113.5	8.4	VC4FLM2SS063
100	20	152	8.4	VC4FLM2SS100
160	21.5	202.4	8.4	VC4FLM2SS160

CF Spacer Flange with Bore Holes

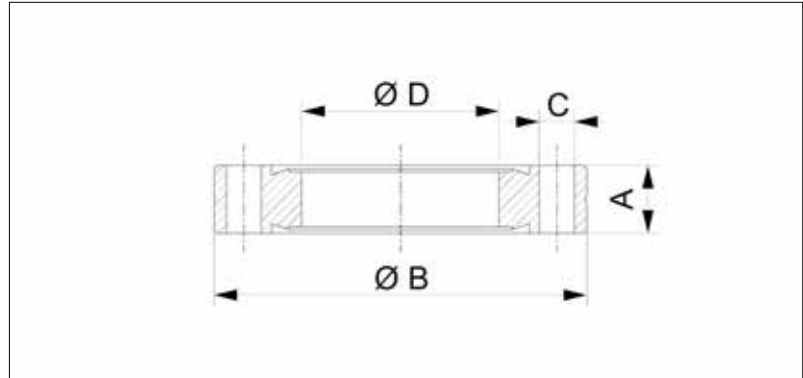


- Pressure range: $1 \cdot 10^{-12}$ mbar to ambient pressure
- Custom lengths available upon request
- Bake out range is up to 500°C
- Materials:

Stainless Steel 304/1.4301

Stainless Steel 316L/1.4404

Dimensions



Stainless Steel 304/1.4301

- Temperature range: -196 to 300 °C

Size (DN)	A (mm)	B (mm)	C (mm)	D (mm)	Order No
16	7.5	34	4.4	16	VC4FLN1SS016
40	13	69.9	6.6	37	VC4FLN1SS040
63	17.5	113.5	8.4	66	VC4FLN1SS063
100	20	152	8.4	102	VC4FLN1SS100
160	21.5	202.4	8.4	155	VC4FLN1SS160

Stainless Steel 316L/1.4404

- Temperature range: -196 to 350 °C

Size (DN)	A (mm)	B (mm)	C (mm)	D (mm)	Order No
16	7.5	34	4.4	16	VC4FLN2SS016
40	13	69.9	6.6	37	VC4FLN2SS040
63	17.5	113.5	8.4	66	VC4FLN2SS063
100	20	152	8.4	102	VC4FLN2SS100
160	21.5	202.4	8.4	155	VC4FLN2SS160

CF Reducer Flange



- The reduced-size flange has blind tapped holes. Please ensure the screws used for assembly are in the right length.
- Pressure range: $1 \cdot 10^{-12}$ mbar to ambient pressure
- Custom lengths available upon request
- Bake out range is up to 450°C
- Materials:

Stainless Steel 304/1.4301

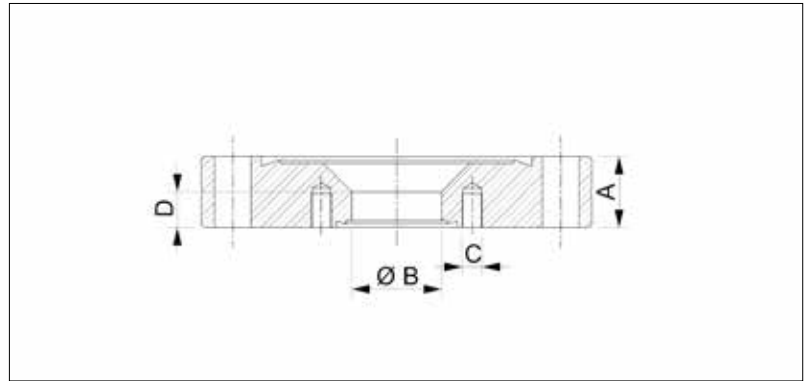
Stainless Steel 316L/1.4404

Stainless Steel 316LN ESR/1.4429

Stainless Steel 316LN ESR/1.4 429 ESU features

- Ideal for constantly dismantled chamber ports
- Electro-slag Remelt (ESR) to improve grain homogeneity and remove gross macro segregation
- Lower magnetic permeability for applications sensitive to magnetic materials ($\mu \leq 1.005$ vs. 1.03 for 304L SS)
- Low desorption
- Bakeable under vacuum up to 1050 °C
- Pressure range: $1 \cdot 10^{-13}$ mbar to ambient pressure

Dimensions



Stainless Steel 304/1.4301

- Temperature range: -196 to 300 °C

Size (DN)	Reducer Flange Size (DN)	A (mm)	B (mm)	C	D (mm)	Order No
40	16	13	16	M4	6	VC4FLO1SS040-016
63	16	17.5	16	M4	6	VC4FLO1SS063-016
63	40	17.5	37	M6	9	VC4FLO1SS063-040
100	40	20	37	M6	9	VC4FLO1SS100-040
100	63	20	66	M8	13	VC4FLO1SS100-063
160	40	21.5	37	M6	9	VC4FLO1SS160-040
160	63	21.5	66	M8	13	VC4FLO1SS160-063
160	100	21.5	100	M8	13	VC4FLO1SS160-100
200	40	24.5	37	M6	9	VC4FLO1SS200-040
200	63	24.5	66	M8	13	VC4FLO1SS200-063
200	100	24.5	100	M8	13	VC4FLO1SS200-100
200	160	24.5	155	M8	13	VC4FLO1SS200-160
250	40	24.5	37	M6	9	VC4FLO1SS250-040
250	63	24.5	66	M8	13	VC4FLO1SS250-063
250	100	24.5	100	M8	13	VC4FLO1SS250-100
250	160	24.5	155	M8	13	VC4FLO1SS250-160
250	200	24.5	200	M8	13	VC4FLO1SS250-200

Stainless Steel 316L/1.4404

- Temperature range: -196 to 350 °C

Size (DN)	Reducer Flange Size (DN)	A (mm)	B (mm)	C	D (mm)	Order No
40	16	13	16	M4	6	VC4FLO2SS040-016
63	16	17.5	16	M4	6	VC4FLO2SS063-016
63	40	17.5	37	M6	9	VC4FLO2SS063-040
100	40	20	37	M6	9	VC4FLO2SS100-040
100	63	20	66	M8	13	VC4FLO2SS100-063
160	40	21.5	37	M6	9	VC4FLO2SS160-040
160	63	21.5	66	M8	13	VC4FLO2SS160-063
160	100	21.5	100	M8	13	VC4FLO2SS160-100
200	40	24.5	37	M6	9	VC4FLO2SS200-040
200	63	24.5	66	M8	13	VC4FLO2SS200-063
200	100	24.5	100	M8	13	VC4FLO2SS200-100
200	160	24.5	155	M8	13	VC4FLO2SS200-160
250	40	24.5	37	M6	9	VC4FLO2SS250-040
250	63	24.5	66	M8	13	VC4FLO2SS250-063
250	100	24.5	100	M8	13	VC4FLO2SS250-100
250	160	24.5	155	M8	13	VC4FLO2SS250-160
250	200	24.5	200	M8	13	VC4FLO2SS250-200

Stainless Steel 316LN ESR/1.4429 ESU

- Temperature range: -196 to 350 °C

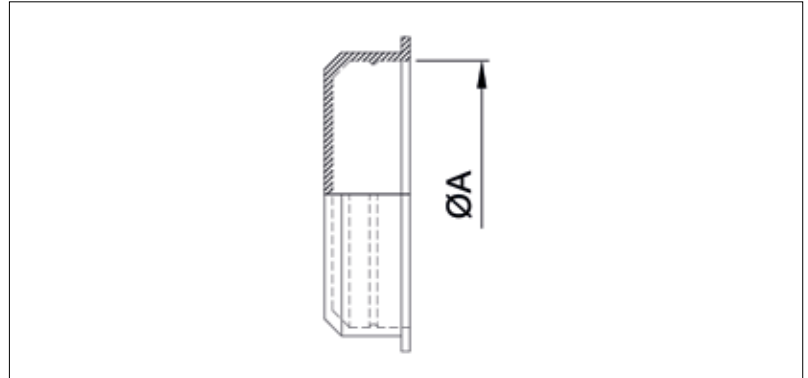
Size (DN)	Reducer Flange Size (DN)	A (mm)	B (mm)	C	D (mm)	Order No
40	16	13	16	M4	6	VC4FLO3SS040-016
63	16	17.5	16	M4	6	VC4FLO3SS063-016
63	40	17.5	37	M6	9	VC4FLO3SS063-040
100	40	20	37	M6	9	VC4FLO3SS100-040
100	63	20	66	M8	13	VC4FLO3SS100-063
160	40	21.5	37	M6	9	VC4FLO3SS160-040
160	63	21.5	66	M8	13	VC4FLO3SS160-063
160	100	21.5	100	M8	13	VC4FLO3SS160-100
200	40	24.5	37	M6	9	VC4FLO3SS200-040
200	63	24.5	66	M8	13	VC4FLO3SS200-063
200	100	24.5	100	M8	13	VC4FLO3SS200-100
200	160	24.5	155	M8	13	VC4FLO3SS200-160
250	40	24.5	37	M6	9	VC4FLO3SS250-040
250	63	24.5	66	M8	13	VC4FLO3SS250-063
250	100	24.5	100	M8	13	VC4FLO3SS250-100
250	160	24.5	155	M8	13	VC4FLO3SS250-160
250	200	24.5	200	M8	13	VC4FLO3SS250-200

CF Flange Caps



Made from plastic
Polyethylene (PE)

Dimensions



(PE)

Size (DN)	A (mm)	Package (Qty.)	Order No
10	25	5	VC4FLP2PL010
16	33,8	5	VC4FLP2PL016
25	54	5	VC4FLP2PL025
40	69,9	5	VC4FLP2PL040
50	85,7	5	VC4FLP2PL050
63	114,3	5	VC4FLP2PL063
75	117,4	5	VC4FLP2PL075
100	152,4	5	VC4FLP2PL100
125	171,5	5	VC4FLP2PL125
160	203,2	5	VC4FLP2PL160
200	254	5	VC4FLP2PL200
250	304	5	VC4FLP2PL250

CF Seals

This part consists of CF Seals.

Check out this section for products NW16-NW350

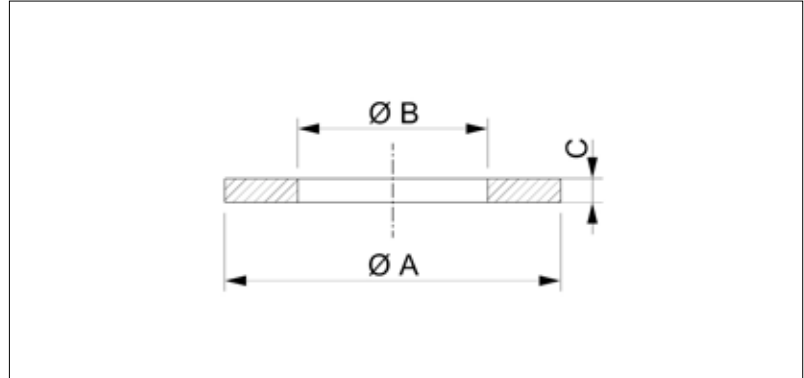


CF Elastomer Gasket



- With a flat cross-section
- Convenient and reusable in non-critical, non-UHV applications
- Especially in applications requiring recurrent reassembly
- Temperature range: -15 to 150 °C
- Pressure range: $1 \cdot 10^{-8}$ hPa to ambient pressure

Dimensions



FKM

- Temperature range: -15 to 200 °C

Size (DN)	A (mm)	B (mm)	C (mm)	Order No
16	21.4	16	3	VC4SLA1EL016
40	48.2	37	3	VC4SLA1EL040
63	82.4	63	3	VC4SLA1EL063
100	120.5	102	3	VC4SLA1EL100
160	171.3	152	3	VC4SLA1EL160
200	222.1	203	3	VC4SLA1EL200
250	272.9	254	3	VC4SLA1EL250

CF Metal Gasket

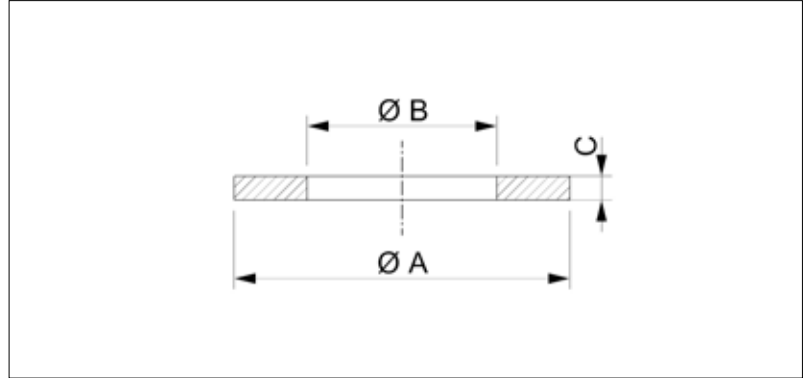


- Especially well-suited for viewports
- For single use only
- Pressure range: $1 \cdot 10^{-13}$ mbar to ambient pressure
- Materials

OFHC Copper (Oxygen-free copper Alloy 101/C10100)

Silver-Plated OFHC Copper

Dimensions



OFHC Copper (Oxygen-free)

- Temperature range: -196 to 200 °C

Size (DN)	A (mm)	B (mm)	C (mm)	Order No
16	21.3	16	2	VC4SLB1CU016
25	32.8	25.5	2	VC4SLB1CU025
40	48.2	36.6	2	VC4SLB1CU040
50	61.6	50.8	2	VC4SLB1CU050
63	82.4	63.4	2	VC4SLB1CU063
75	91.4	76.3	2	VC4SLB1CU075
100	120.5	101.6	2	VC4SLB1CU100
125	141.4	127.1	2	VC4SLB1CU125
160	171.3	152.4	2	VC4SLB1CU160
200	222.1	203.3	2	VC4SLB1CU200
250	272.9	254	2	VC4SLB1CU250
300	313.2	300	2	VC4SLB1CU300
350	376.6	356.5	2	VC4SLB1CU350

Silver-Plated OFHC Copper

- Temperature range: -196 to 450 °C

Size (DN)	A (mm)	B (mm)	C (mm)	Order No
16	21.3	16	2	VC4SLB1CU016-S
25	32.8	25.5	2	VC4SLB1CU025-S
40	48.2	36.6	2	VC4SLB1CU040-S
63	82.4	63.4	2	VC4SLB1CU050-S
100	120.5	101.6	2	VC4SLB1CU063-S
160	171.3	152.4	2	VC4SLB1CU075-S
200	222.1	203.3	2	VC4SLB1CU100-S
250	272.9	254	2	VC4SLB1CU125-S

CF Fittings

This part consists of CF Fittings.

Check out this section for products NW16-NW350

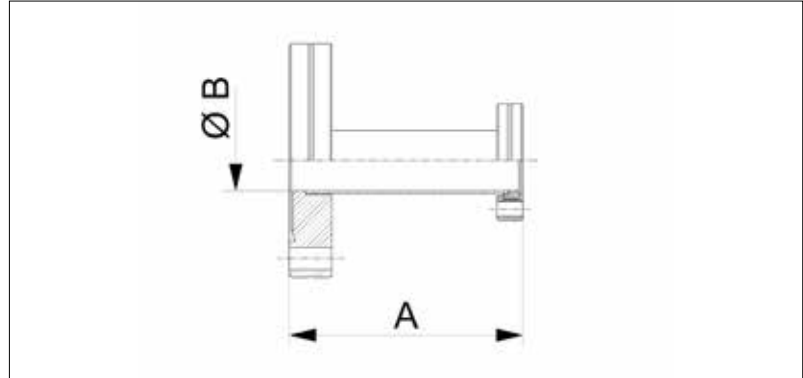


CF Straight Reducer



- Feature a rotatable flange (reduced flange)
- Other nominal diameters and dimensions on request
- Pressure range: $1 \cdot 10^{-12}$ mbar to ambient pressure
- Custom lengths available upon request
- Tube surface: Glass bead blasted (polished version on request)
- Tightness: $\leq 1 \cdot 10^{-10}$ mbar l/s
- Bake out range is up to 450°C

Dimensions



Stainless Steel 304/1.4301

- Temperature range: -196 to 300 °C
- Flange material: SS304 / 1.4301
- Tube material: SS304 / 1.4301

Flange Size (DN)	Reducer Flange Size (DN)	Tube Dimensions (mm)	A (mm)	B (mm)	Order No
40	16	18x1	70	16	VC4FTA1SS040-016-70
63	16	18x1	70	16	VC4FTA1SS063-016-70
63	40	40x1,5	70	37	VC4FTA1SS063-040-70
100	40	40x1,5	70	37	VC4FTA1SS100-040-70
100	63	70x2	70	66	VC4FTA1SS100-063-70
160	40	40x1,5	70	37	VC4FTA1SS160-040-70
160	63	70x2	127	66	VC4FTA1SS160-063-127
160	100	108x2	127	104	VC4FTA1SS160-100-127

Stainless Steel 316L/1.4404

- Temperature range: -196 to 300 °C
- Flange material: SS316L / 1.4404
- Tube material: SS316L / 1.4404

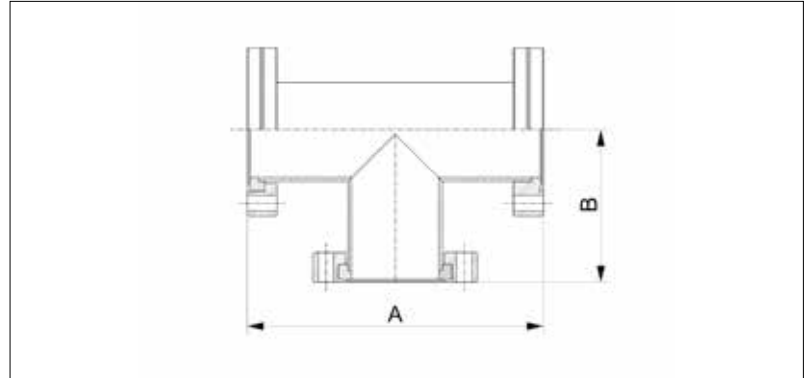
Flange Size (DN)	Reducer Flange Size (DN)	Tube Dimensions (mm)	A (mm)	B (mm)	Order No
40	16	18x1	70	16	VC4FTA2SS040-016-70
63	16	18x1	70	16	VC4FTA2SS063-016-70
63	40	40x1,5	70	37	VC4FTA2SS063-040-70
100	40	40x1,5	70	37	VC4FTA2SS100-040-70
100	63	70x2	70	66	VC4FTA2SS100-063-70
160	40	40x1,5	70	37	VC4FTA2SS160-040-70
160	63	70x2	127	66	VC4FTA2SS160-063-127
160	100	108x2	127	104	VC4FTA2SS160-100-127

CF Tee



- One fixed and two rotatable (one on each axis) flanges
- Pressure range: $1 \cdot 10^{-12}$ mbar to ambient pressure
- Custom lengths available upon request
- Tube surface: Glass bead blasted (polished version on request)
- Tightness: $\leq 1 \cdot 10^{-10}$ mbar l/s
- Bake out range is up to 450°C

Dimensions



Stainless Steel 304/1.4301

- Temperature range: -196 to 300 °C
- Flange material: SS304 / 1.4301
- Tube material: SS304 / 1.4301

Flange Size (DN)	A (mm)	B (mm)	Order No
16	76	38	VC4FTB1SS016-76
40	126	63	VC4FTB1SS040-126
63	210	105	VC4FTB1SS063-210
100	270	135	VC4FTB1SS100-270
160	334	167	VC4FTB1SS160-334

Stainless Steel 316L/1.4404

- Temperature range: -196 to 350 °C
- Flange material: SS316L / 1.4404
- Tube material: SS316L / 1.4404

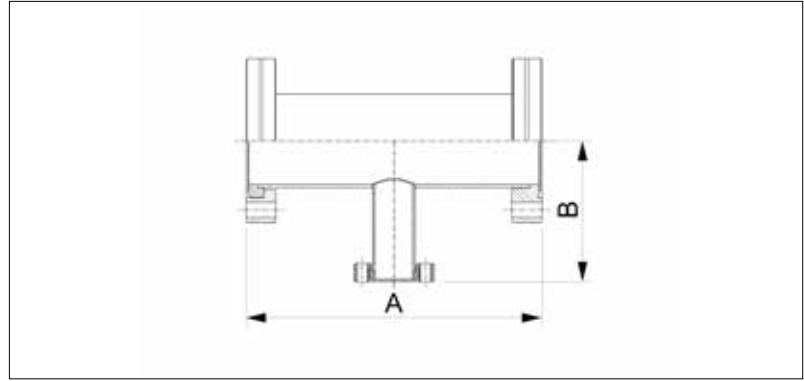
Flange Size (DN)	A (mm)	B (mm)	Order No
16	76	38	VC4FTB2SS016-76
40	126	63	VC4FTB2SS040-126
63	210	105	VC4FTB2SS063-210
100	270	135	VC4FTB2SS100-270
160	334	167	VC4FTB2SS160-334

CF Reducer Tee



- One fixed and two rotatable (one on each axis) flanges
- Pressure range: $1 \cdot 10^{-12}$ mbar to ambient pressure
- Custom lengths available upon request
- Tube surface: Glass bead blasted (polished version on request)
- Tightness: $\leq 1 \cdot 10^{-10}$ mbar l/s
- Bake out range is up to 450°C

Dimensions



Stainless Steel 304/1.4301

- Temperature range: -196 to 300 °C
- Flange material: SS304 / 1.4301
- Tube material: SS304 / 1.4301

Flange Size (DN)	Reducer Flange Size (DN)	A (mm)	B (mm)	Order No
40	16	126	60	VC4FTC1SS040-016-126
63	40	210	77	VC4FTC1SS063-040-210
100	40	270	95	VC4FTC1SS100-040-270
100	63	270	95	VC4FTC1SS100-063-270
160	40	334	120	VC4FTC1SS160-040-334
160	63	334	120	VC4FTC1SS160-063-334
160	100	334	120	VC4FTC1SS160-100-334

Stainless Steel 316L/1.4404

- Temperature range: -196 to 350 °C
- Flange material: SS316L / 1.4404
- Tube material: SS316L / 1.4404

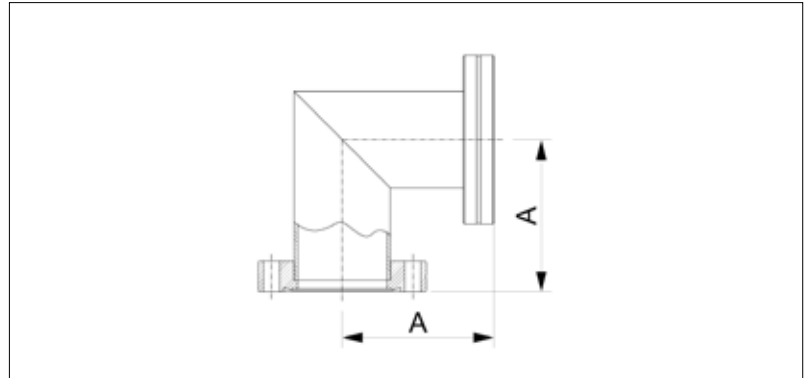
Flange Size (DN)	Reducer Flange Size (DN)	A (mm)	B (mm)	Order No
40	16	126	60	VC4FTC2SS040-016-126
63	40	210	77	VC4FTC2SS063-040-210
100	40	270	95	VC4FTC2SS100-040-270
100	63	270	95	VC4FTC2SS100-063-270
160	40	334	120	VC4FTC2SS160-040-334
160	63	334	120	VC4FTC2SS160-063-334
160	100	334	120	VC4FTC2SS160-100-334

CF Elbow 90



- One end fixed and one end rotatable flanges
- Pressure range: $1 \cdot 10^{-12}$ mbar to ambient pressure
- Custom lengths available upon request
- Tube surface: Glass bead blasted (polished version on request)
- Tightness: $\leq 1 \cdot 10^{-10}$ mbar l/s
- Bake out range is up to 450°C

Dimensions



Stainless Steel 304/1.4301

- Temperature range: -196 to 300 °C
- Flange material: SS304 / 1.4301
- Tube material: SS304 / 1.4301

Flange Size (DN)	A (mm)	Order No
16	38	VC4FTD1SS016-90-38
40	63	VC4FTD1SS040-90-63
63	105	VC4FTD1SS063-90-105
100	135	VC4FTD1SS100-90-135
160	167	VC4FTD1SS160-90-167

Stainless Steel 316L/1.4404

- Temperature range: -196 to 350 °C
- Flange material: SS316L / 1.4404
- Tube material: SS316L / 1.4404

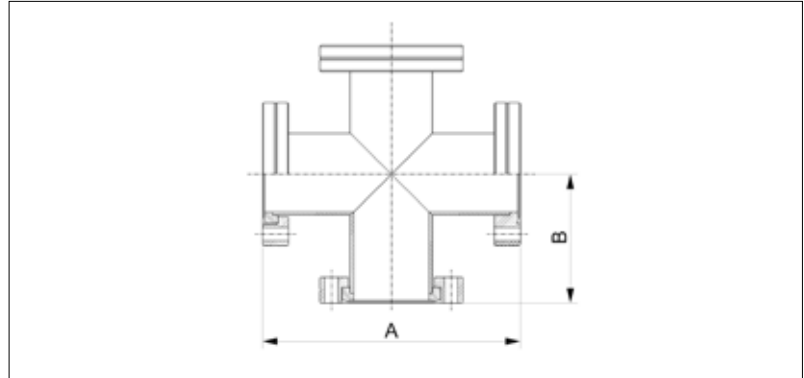
Flange Size (DN)	A (mm)	Order No
16	38	VC4FTD2SS016-90-38
40	63	VC4FTD2SS040-90-63
63	105	VC4FTD2SS063-90-105
100	135	VC4FTD2SS100-90-135
160	167	VC4FTD2SS160-90-167

CF 4 Way Cross



- One rotatable flange per axis
- Pressure range: $1 \cdot 10^{-12}$ mbar to ambient pressure
- Custom lengths available upon request
- Tube surface: Glass bead blasted (polished version on request)
- Tightness: $\leq 1 \cdot 10^{-10}$ mbar l/s
- Bake out range is up to 450°C

Dimensions



Stainless Steel 304/1.4301

- Temperature range: -196 to 300 °C
- Flange material: SS304 / 1.4301
- Tube material: SS304 / 1.4301

Flange Size (DN)	A (mm)	B (mm)	Order No
16	76	38	VC4FTE1SS016-76
40	126	63	VC4FTE1SS040-126
63	210	105	VC4FTE1SS063-210
100	270	135	VC4FTE1SS100-270
160	334	167	VC4FTE1SS160-334

Stainless Steel 316L/1.4404

- Temperature range: -196 to 350 °C
- Flange material: SS316L / 1.4404
- Tube material: SS316L / 1.4404

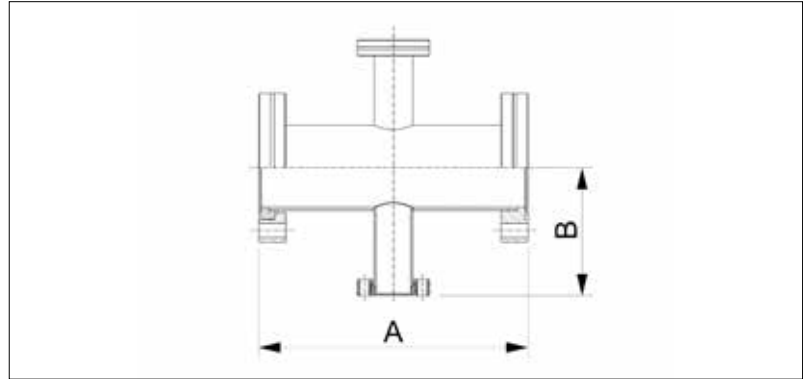
Flange Size (DN)	A (mm)	B (mm)	Order No
16	76	38	VC4FTE2SS016-76
40	126	63	VC4FTE2SS040-126
63	210	105	VC4FTE2SS063-210
100	270	135	VC4FTE2SS100-270
160	334	167	VC4FTE2SS160-334

CF 4 Way Reducer Cross



- One rotatable flange per axis
- Pressure range: $1 \cdot 10^{-12}$ mbar to ambient pressure
- Custom lengths available upon request
- Tube surface: Glass bead blasted (polished version on request)
- Tightness: $\leq 1 \cdot 10^{-10}$ mbar l/s
- Bake out range is up to 450°C

Dimensions



Stainless Steel 304/1.4301

- Temperature range: -196 to 300 °C
- Flange material: SS304 / 1.4301
- Tube material: SS304 / 1.4301

Flange Size (DN)	Reducer Flange Size (DN)	A (mm)	B (mm)	Order No
40	16	126	60	VC4FTF1SS040-016-126
63	40	210	77	VC4FTF1SS063-040-210
100	40	270	95	VC4FTF1SS100-040-270
100	63	270	95	VC4FTF1SS100-063-270
160	40	334	120	VC4FTF1SS160-040-334
160	63	334	120	VC4FTF1SS160-063-334
160	100	334	120	VC4FTF1SS160-100-334

Stainless Steel 316L/1.4404

- Temperature range: -196 to 350 °C
- Flange material: SS316L / 1.4404
- Tube material: SS316L / 1.4404

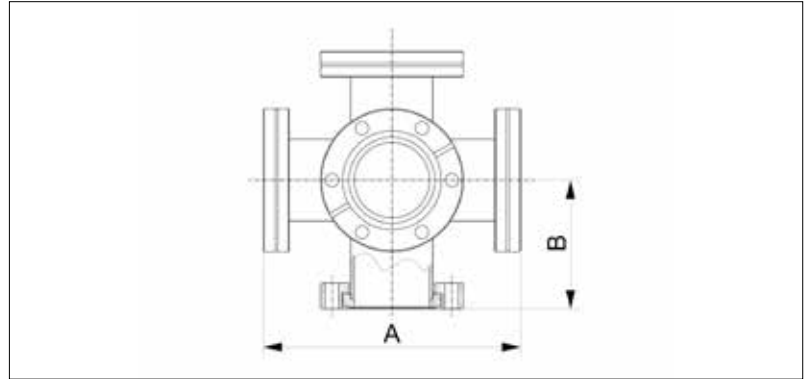
Flange Size (DN)	Reducer Flange Size (DN)	A (mm)	B (mm)	Order No
40	16	126	60	VC4FTF2SS040-016-126
63	40	210	77	VC4FTF2SS063-040-210
100	40	270	95	VC4FTF2SS100-040-270
100	63	270	95	VC4FTF2SS100-063-270
160	40	334	120	VC4FTF2SS160-040-334
160	63	334	120	VC4FTF2SS160-063-334
160	100	334	120	VC4FTF2SS160-100-334

CF 5 Way Cross



- One rotatable flange per axis
- Pressure range: $1 \cdot 10^{-12}$ mbar to ambient pressure
- Custom lengths available upon request
- Tube surface: Glass bead blasted (polished version on request)
- Tightness: $\leq 1 \cdot 10^{-10}$ mbar l/s
- Bake out range is up to 450°C

Dimensions



Stainless Steel 304/1.4301

- Temperature range: -196 to 300 °C
- Flange material: SS304 / 1.4301
- Tube material: SS304 / 1.4301

Flange Size (DN)	A (mm)	B (mm)	Order No
16	76	38	VC4FTG1SS016-76
40	126	63	VC4FTG1SS040-126
63	210	105	VC4FTG1SS063-210
100	270	135	VC4FTG1SS100-270

Stainless Steel 316L/1.4404

- Temperature range: -196 to 350 °C
- Flange material: SS316L / 1.4404
- Tube material: SS316L / 1.4404

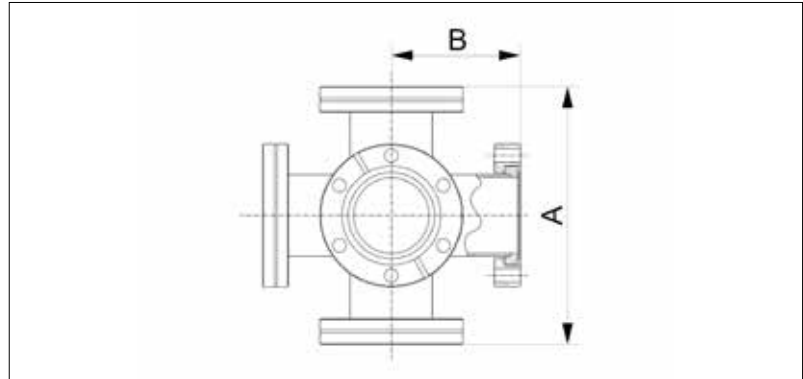
Flange Size (DN)	A (mm)	B (mm)	Order No
16	76	38	VC4FTG2SS016-76
40	126	63	VC4FTG2SS040-126
63	210	105	VC4FTG2SS063-210
100	270	135	VC4FTG2SS100-270

CF 6 Way Cross



- One rotatable flange per axis
- Pressure range: $1 \cdot 10^{-12}$ mbar to ambient pressure
- Custom lengths available upon request
- Tube surface: Glass bead blasted (polished version on request)
- Tightness: $\leq 1 \cdot 10^{-10}$ mbar l/s
- Bake out range is up to 450°C

Dimensions



Stainless Steel 304/1.4301

- Temperature range: -196 to 300 °C
- Flange material: SS304 / 1.4301
- Tube material: SS304 / 1.4301

Flange Size (DN)	A (mm)	B (mm)	Order No
16	76	38	VC4FTH1SS016-76
40	126	63	VC4FTH1SS040-126
63	210	105	VC4FTH1SS063-210
100	270	135	VC4FTH1SS100-270
160	334	167	VC4FTH1SS160-334
200	406	203	VC4FTH1SS200-406

Stainless Steel 316L/1.4404

- Temperature range: -196 to 350 °C
- Flange material: SS316L / 1.4404
- Tube material: SS316L / 1.4404

Flange Size (DN)	A (mm)	B (mm)	Order No
16	76	38	VC4FTH2SS016-76
40	126	63	VC4FTH2SS040-126
63	210	105	VC4FTH2SS063-210
100	270	135	VC4FTH2SS100-270
160	334	167	VC4FTH2SS160-334
200	406	203	VC4FTH2SS200-406

CF Hoses

This part consists of ISO CF Hose.
Check out this section for products NW16-NW350

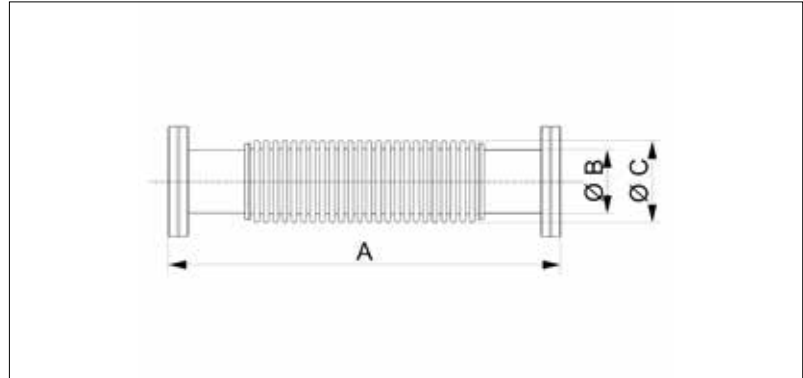


CF Flexible Hose



- Custom lengths on request
- One flange rotatable
- Pressure range: $1 \cdot 10^{-9}$ mbar to ambient pressure
- Materials:
Stainless Steel 304/1.4301
Stainless Steel 316L/1.4404

Dimensions



Stainless Steel 304/1.4301

- Temperature range: -196 to 300 °C

Flange Size (DN)	A (mm)	B (mm)	C (mm)	Bend radius, unique movement (mm)	Bend radius, often unique movement (mm)	Order No
16	250	12	17	50	200	VC4HSA1SS016-250
16	500	12	17	50	200	VC4HSA1SS016-500
16	750	12	17	50	200	VC4HSA1SS016-750
16	1000	12	17	50	200	VC4HSA1SS016-1000
						VC4HSA1SS016-1500
40	250	37	52	130	250	VC4HSA1SS040-250
40	500	37	52	130	250	VC4HSA1SS040-500
40	750	37	52	130	250	VC4HSA1SS040-750
40	1000	37	52	130	250	VC4HSA1SS040-1000
						VC4HSA1SS040-1500
63	250	65	81	200	410	VC4HSA1SS063-250
63	500	65	81	200	410	VC4HSA1SS063-500
63	750	65	81	200	410	VC4HSA1SS063-750
63	1000	65	81	200	410	VC4HSA1SS063-1000
						VC4HSA1SS063-1500
100	250	100	119	230	560	VC4HSA1SS100-250
100	500	100	119	230	560	VC4HSA1SS100-500
100	750	100	119	230	560	VC4HSA1SS100-750
100	1000	100	119	230	560	VC4HSA1SS100-1000
						VC4HSA1SS100-1500

Stainless Steel 316L/1.4404

- Temperature range: -196 to 300 °C

Flange Size (DN)	A (mm)	B (mm)	C (mm)	Bend radius, unique movement (mm)	Bend radius, often unique movement (mm)	Order No
16	250	12	17	50	200	VC4HSA2SS016-250
16	500	12	17	50	200	VC4HSA2SS016-500
16	750	12	17	50	200	VC4HSA2SS016-750
16	1000	12	17	50	200	VC4HSA2SS016-1000
16	1500	12	17	50	200	VC4HSA2SS016-1500
40	250	37	52	130	250	VC4HSA2SS040-250
40	500	37	52	130	250	VC4HSA2SS040-500
40	750	37	52	130	250	VC4HSA2SS040-750
40	1000	37	52	130	250	VC4HSA2SS040-1000
40	1500	37	52	130	250	VC4HSA2SS040-1500
63	250	65	81	200	410	VC4HSA2SS063-250
63	500	65	81	200	410	VC4HSA2SS063-500
63	750	65	81	200	410	VC4HSA2SS063-750
63	1000	65	81	200	410	VC4HSA2SS063-1000
63	1500	65	81	200	410	VC4HSA2SS063-1500
100	250	100	119	230	560	VC4HSA2SS100-250
100	500	100	119	230	560	VC4HSA2SS100-500
100	750	100	119	230	560	VC4HSA2SS100-750
100	1000	100	119	230	560	VC4HSA2SS100-1000
100	1500	100	119	230	560	VC4HSA2SS100-1500



Product List

Vacuum Components

ISO-KF

ISO-K/ISO-F

CF SYSTEMS

ISO-KF System

ISO-KF Short Half Flange.....	19
ISO-KF Long Half Flange.....	21
ISO-KF Full Flange.....	23
ISO-KF Blanking Flange.....	24
ISO-KF Weld Ring Flange.....	25
ISO-KF Flange Caps (Plastics).....	26
ISO-KF Seals Outer Centered.....	28
ISO-KF Seal Inner Centered.....	30
ISO-KF Seal Reducer Inner Centering.....	34
ISO-KF Seal Inner Centered with Mesh Screen.....	36
ISO-KF Seal Inner Centered With Sintered Metal Filter.....	38
ISO-KF Alu Edge Seal Outer Centered.....	40
ISO-KF Alu Edge Seal One-Side Outer Centered.....	41
ISO-KF Copper Edge Seal Outer Centered.....	42
ISO-KF Copper Edge Seal One-Side Outer Centered.....	43
ISO-KF Alu Edge Seal Inner Centered.....	44
ISO-KF Alu Edge Seal One-Side Inner Centered.....	45
ISO-KF Copper Edge Seal Inner Centered.....	46
ISO-KF Copper Edge Seal One-Side Inner Centered.....	47
ISO-KF Seal Outer Centering Without Support.....	48
ISO-KF Outer Centering Outer Ring.....	50
ISO-KF Inner Centered Inner Ring.....	51
ISO-KF O-ring.....	52
ISO-KF Wingnut CNC Machined Clamp.....	55
ISO-KF Wingnut Casting AL Clamp.....	57
ISO-KF Wingnut Casting SS Clamp.....	58
ISO-KF Claw (Wall) Clamp.....	59
ISO-KF Bulkhead Clamp.....	60
ISO-KF Chain Clamp.....	61
ISO-KF Bolt Clamp (2-Part).....	62
ISO-KF Straight Reducer.....	64

ISO-KF Conical Reducer.....	67
ISO-KF Tee	68
ISO-KF Tee (Forging).....	69
ISO-KF Reducer Tee.....	70
ISO-KF 90 Radius Elbow	71
ISO-KF 45 Radius Elbow.....	72
ISO-KF 90 Elbow (Forging).....	73
ISO KF 4 Way Cross.....	74
ISO KF 4 Way Cross (Forging).....	75
ISO-KF Reducer Cross	76
ISO KF Hose Nozzle.....	78
ISO-KF Adapter for Pvc Hose.....	80
ISO-KF Flange With Pipe Thread Male	82
ISO-KF Flange with Pipe Thread Male and FKM Seal	83
ISO-KF Flange With Pipe Thread Female.....	84
ISO-KF Flange with Pipe Thread Female and FKM Seal.....	85
ISO-KF Flange With NPT Thread Male	86
ISO-KF Flange With NPT Thread Female.....	87
ISO-KF 90 Elbow with Hose Adapter.....	88
ISO-KF to CF Adapter.....	89
ISO-KF Flexible Hose.....	91
ISO-KF Flexible Hose Thin Wall.....	93
ISO-KF Flexible Hose, Sheathed	95
ISO-KF PVC Hose and Flanges.....	97
ISO-KF PVC Hose with Embedded Spring.....	98

ISO-K / ISO-F System

ISO-K Half Flange.....	102
ISO-K Full Flange.....	104
ISO-K Blanking Flange	105
ISO-F Blanking Flange	106
ISO-K Weld Ring Flange.....	107
ISO-F Weld Ring Flange	109

ISO-F Measurement Flange	110
ISO-K Rotatable Bolt Ring	111
ISO-K to ISO-F Adapter Flange.....	112
ISO-K Flange Caps.....	113
ISO-K Seal Inner Centered	115
ISO-K Seal Inner Centered With Support.....	118
ISO-K Seal Inner Centered With Mesh Screen.....	121
ISO-K Edge Seal Outer Centered.....	123
ISO-K Copper Edge Seal Outer Centered	124
ISO-K/F O-ring.....	125
ISO-K Double Claw Clamp	128
ISO-K Claw Clamp.....	129
ISO-F Screw Set.....	130
ISO-K Straight Reducer.....	132
ISO-K Conical Reducer.....	133
ISO-K Tee.....	134
ISO-K Reducer Tee.....	135
ISO-K to KF Reducer Tee.....	136
ISO-K Elbow Radius 90.....	137
ISO-K Elbow 90	138
ISO-K 4 Way Cross.....	139
ISO-K Reducer Cross.....	140
ISO-K to KF Adapter Cross	141
ISO-K Flange With Pipe Thread and FKM Seal, Male.....	143
ISO-K Hose Adapter	144
ISO-K Sleeve Adapter.....	145
ISO-K to KF Straight Adapter	146
ISO-K to KF Conical Adapter.....	147
ISO-K to CF Adapter.....	148
ISO-K Flexible Hose.....	150
ISO-K Flexible Hose, Annealed.....	151
ISO-K PVC Hose and Flanges.....	152
ISO-K PVC Hose With Embedded Spring.....	153

CF System

CF Half Flange.....	157
CF Half Flange with Thread	159
CF Half Flange, Rotatable	160
CF Half Flange, Rotatable with Thread.....	162
CF Full Flange.....	163
CF Blanking Flange	164
CF Blanking Flange with Thread.....	166
CF Blanking Flange, Rotatable.....	168
CF Weld Flange.....	170
CF Weld Flange with Thread.....	173
CF Weld Flange, Rotatable.....	175
CF Spacer Flange.....	178
CF Spacer Flange with Bore Holes.....	179
CF Reducer Flange	180
CF Flange Caps.....	182
CF Elastomer Gasket	184
CF Metal Gasket.....	185
CF Straight Reducer	187
CF Tee	188
CF Reducer Tee.....	189
CF Elbow, 90	190
CF 4 Way Cross	191
CF 4 Way Reducer Cross.....	192
CF 5 Way Cross	193
CF 6 Way Cross.....	194
CF Flexible Hose.....	196

**© ANADOLU VACUUM
TECHNOLOGIES**

2021

Digital Publication Number
#070921

All rights reserved.



Contact Us

We are looking forward to starting our partnership through this Anadolu Vacuum product catalog.

Get in touch today.

Yeşiloba Mahallesi Orta Ölçekli Sanayi
Sitesi 46067 Sokak No: 2/6
Seyhan - Adana / TURKEY

+90530 645 43 49
sales@atimsan.com
www.anadoluvacuum.com

Anadolu

VACUUM TECHNOLOGIES

